

EFFECTIVE:  
05-MAR-15

# DIMENSION PRINT

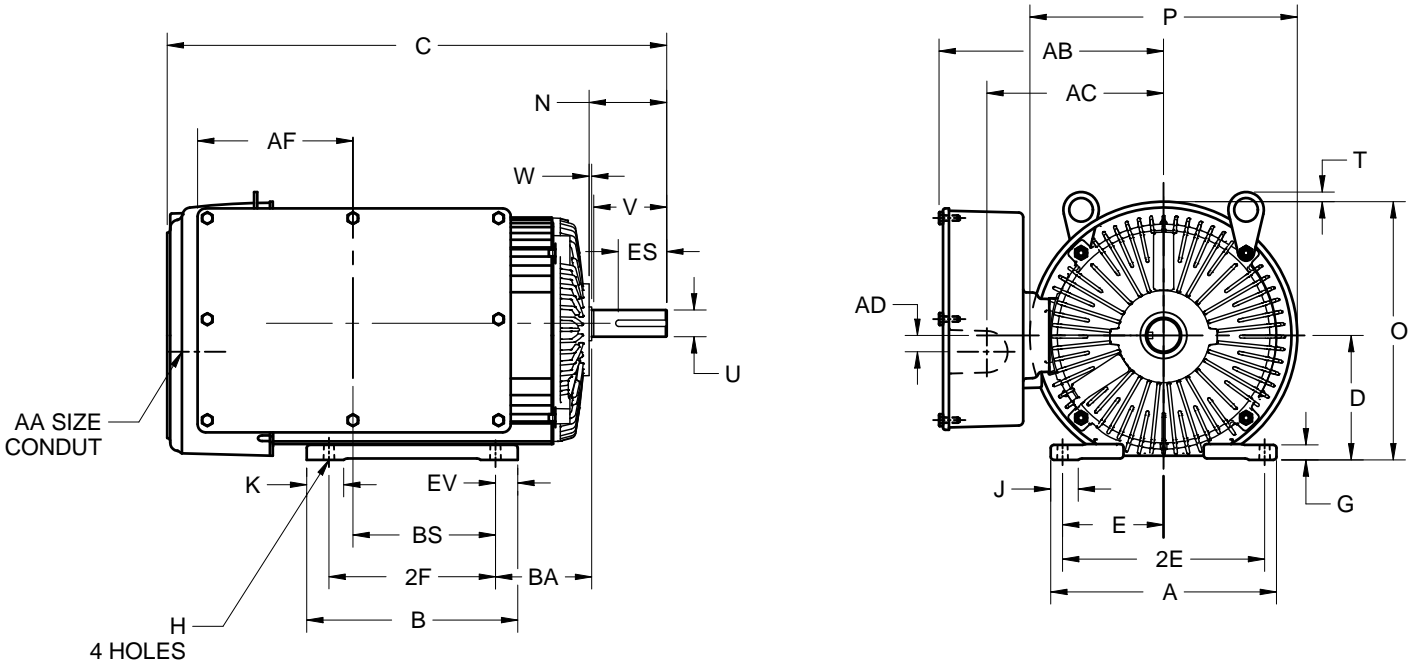
TEFC FARM DUTY - SINGLE PHASE

PRINT:  
07-3197

SUPERSEDES:  
NEW

FRAME: 215T  
BASIC TYPE: TMO

SHEET:  
1 OF 1



ALL DIMENSIONS ARE IN INCHES AND MILLIMETERS

UNITS	A	B	C	D -0.06	E	2E ±.03	2F ±.03	G	H +.05	J	K	N
IN	9.50	8.88	21.38	5.25	4.25	8.50	7.00	0.63	0.41	1.16	1.59	3.71
MM	241	226	543	133	108	216	178	16	10	29	40	94

UNITS	O	P <sup>2</sup>	T	U -.0005	V	W	AA	AB	AC	AD	AF	BA
IN	10.84	11.25	0.41	1.3750	3.13	0.33	1 NPT	9.44	7.44	0.69	6.50	3.50
MM	275	286	10	34.925	80	8		240	189	18	165	89

UNITS	BS	ES MIN	EV	SQ KEY
IN	5.84	2.41	0.94	0.313
MM	148	61	24	7.95

1. ALL ROUGH DIMENSIONS MAY VARY BY .25" DUE TO CASTING AND/OR FABRICATION VARIATIONS.
2. LARGEST MOTOR WIDTH.
3. TOLERANCES SHOWN ARE IN INCHES ONLY.
4. FRAME REFERENCE: 12.125/215.

**Nidec Motor Corporation**  
St. Louis, Missouri

INFORMATION DISCLOSED ON THIS DOCUMENT  
IS CONSIDERED PROPRIETARY AND SHALL NOT BE  
REPRODUCED OR DISCLOSED WITHOUT WRITTEN  
CONSENT OF NIDEC MOTOR CORPORATION



ISSUED BY  
**G. MARTINEZ**  
APPROVED BY  
**J. MAGALLANES**

IHP\_DP\_NMCA (MAR-2011) SOLIDEDGE