

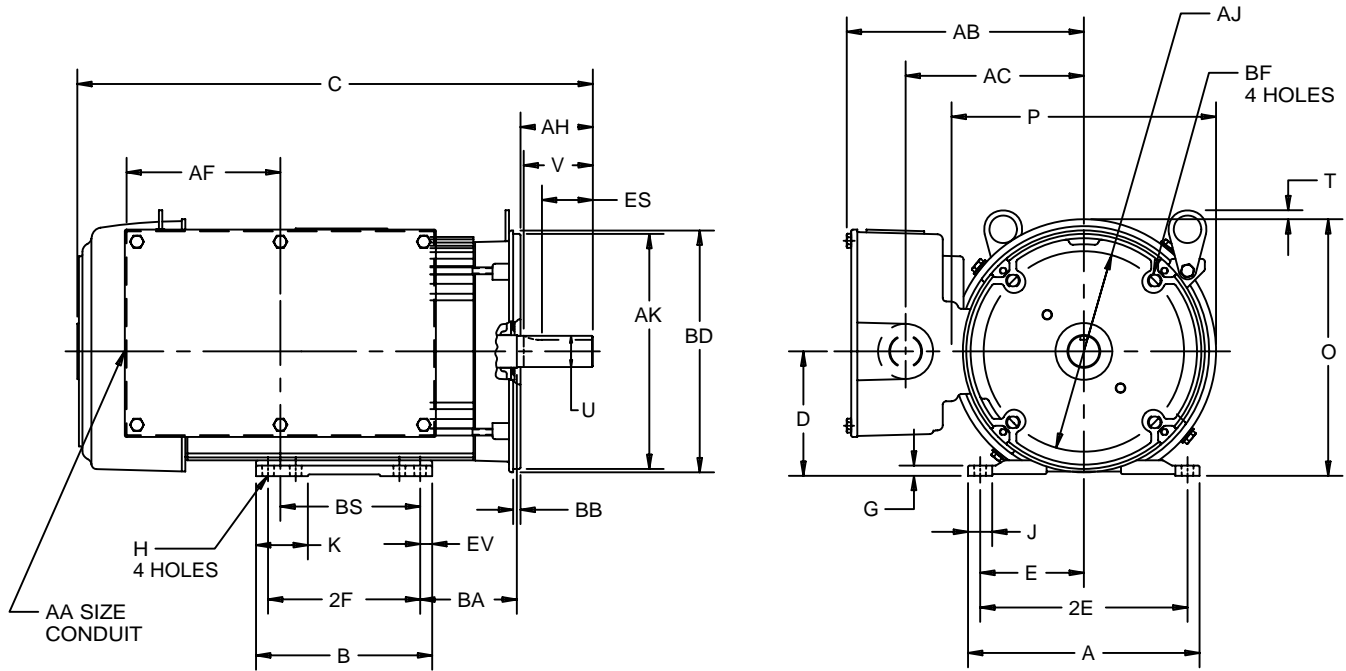
EFFECTIVE:
01-JUN-11

SUPERSEDES:
28-NOV-01

HORIZONTAL MOTORS
TEFC-FARM DUTY-SINGLE PHASE
FRAME: 184TC
BASIC TYPE: TMQ

PRINT:
07-2364

SHEET:
1 OF 1



ALL DIMENSIONS ARE IN INCHES AND MILLIMETERS

UNITS	A	B	C	D -.06	E	2E ±.03	2F ±.03	G	H +.05	J	K	O
IN	8.38	6.38	18.65	4.50	3.75	7.50	5.50	.38	.41	.88	1.88	9.28
MM	213	162	474	114	95	191	140	10	10	22	48	236

UNITS	P ²	T	U -.0005	V MIN	AA	AB	AC	AF	AH	AJ	AK -.003
IN	9.56	.33	1.1250	2.50	3/4 NPT	8.58	6.45	5.56	2.62	7.250	8.500
MM	243	8	28.575	64		218	164	141	67	184.15	215.90

UNITS	BA	BB MIN	BD MAX	BF	BS	ES MIN	EV	SQ KEY
IN	3.50	.25	9.00	.75	5.06	1.78	.44	.250
MM	89	6	229	19	129	45	11	6.35

1: ALL ROUGH CASTING DIMENSIONS MAY VARY BY .25"
DUE TO CASTING AND/OR FABRICATION VARIATIONS.
2: LARGEST MOTOR WIDTH.

07-2364/B

Nidec Motor Corporation
St. Louis, Missouri

INFORMATION DISCLOSED ON THIS DOCUMENT
IS CONSIDERED PROPRIETARY AND SHALL NOT BE
REPRODUCED OR DISCLOSED WITHOUT WRITTEN
CONSENT OF NIDEC MOTOR CORPORATION



ISSUED BY
R. KING
APPROVED BY
K. POTTER

IHP_DP_NMCA (MAR-2011) SOLIDEDGE