

PRODUCT INFORMATION PACKET

Model No: A099847.00
Catalog No: A099847.00
0.75 HP Agricultural Motor, 1 phase, 1200 RPM, 115/230 V, 56H Frame, TEAO



Regal and are trademarks of Regal Rexnord Corporation or one of its affiliated companies.
©2022 Regal Rexnord Corporation, All Rights Reserved. MC017097E

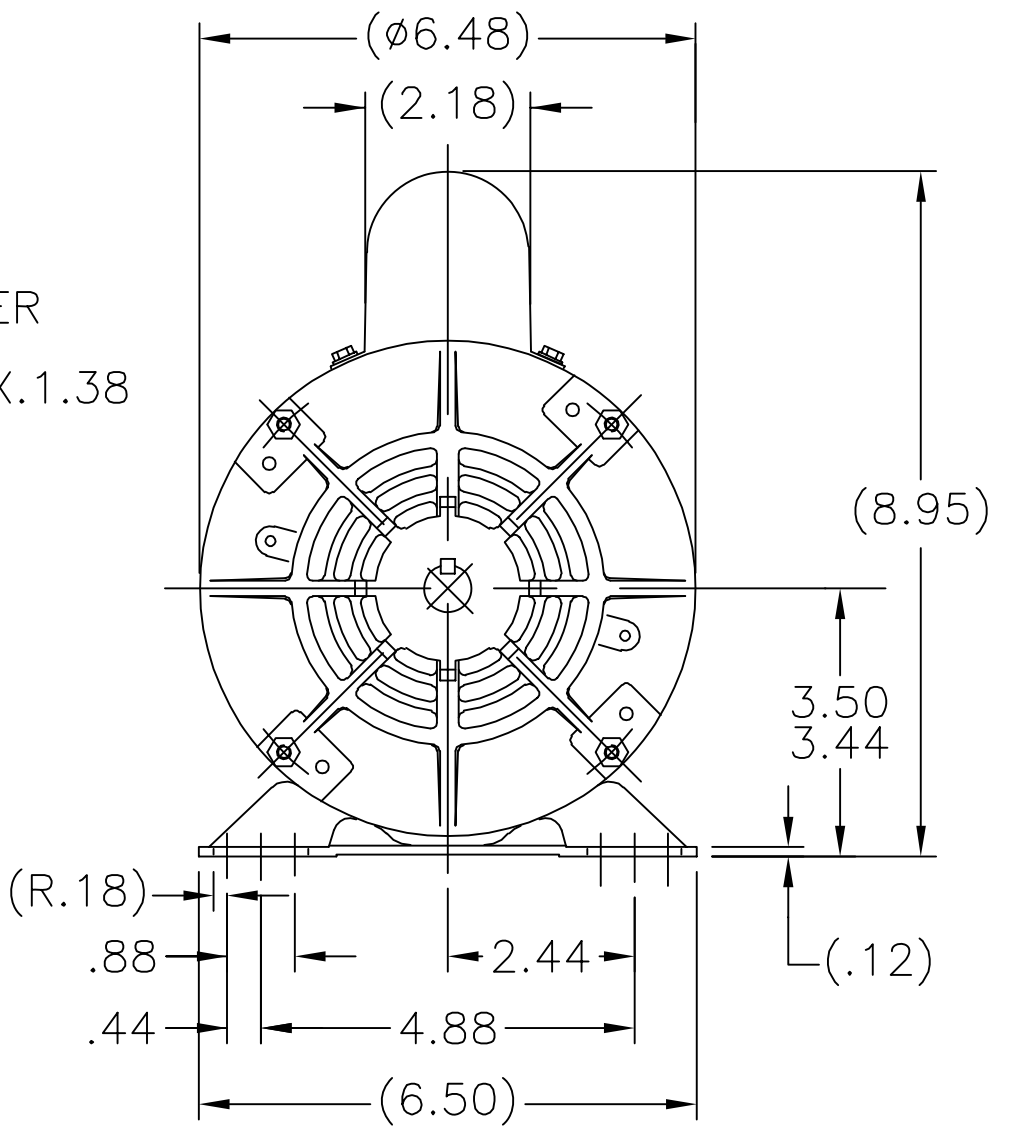
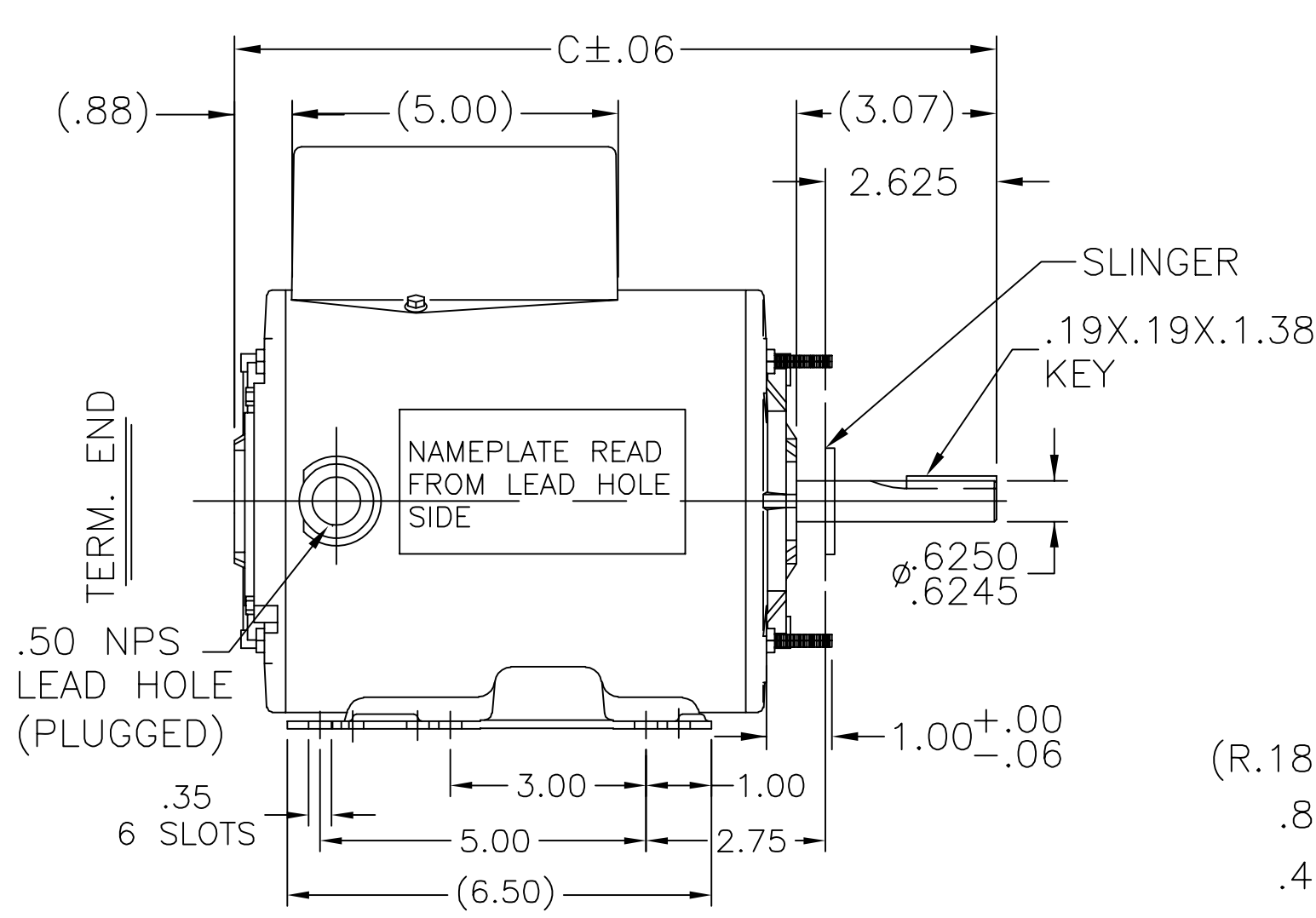
Nameplate Specifications

Output HP	0.75 Hp	Output KW	0.56 kW
Frequency	60 Hz	Voltage	115/230 V
Current	7.3/3.7 A	Speed	1075 rpm
Service Factor	1	Phase	1
Efficiency	76 %	Power Factor	98.3
Duty	Continuous	Insulation Class	B
Design Code	N	KVA Code	B
Frame	56H	Enclosure	Totally Enclosed Air Over
Thermal Protection	Automatic	Ambient Temperature	40 °C
Drive End Bearing Size	6203	Opp Drive End Bearing Size	6203
UL	Recognized	CSA	Y
CE	N	IP Code	43
Number of Speeds	1		

Technical Specifications

Electrical Type	Permanent Split Capacitor	Starting Method	Across The Line
Poles	6	Rotation	Selective Counterclockwise
Resistance Main	0 Ohms	Mounting	Rigid - Extended Studs
Motor Orientation	Horizontal	Drive End Bearing	Ball
Opp Drive End Bearing	Ball	Frame Material	Rolled Steel
Shaft Type	Single Special Extension	Overall Length	12.19 in
Frame Length	7.56 in	Shaft Diameter	0.625 in
Shaft Extension	1.88 in	Assembly/Box Mounting	F1 ONLY
Connection Drawing	005109-01	Outline Drawing	108161-756

108161



DASH	C	DASH	C
606	10.69	806	12.69
656	11.19	856	13.19
706	11.69	906	13.69
756	12.19	956	14.19

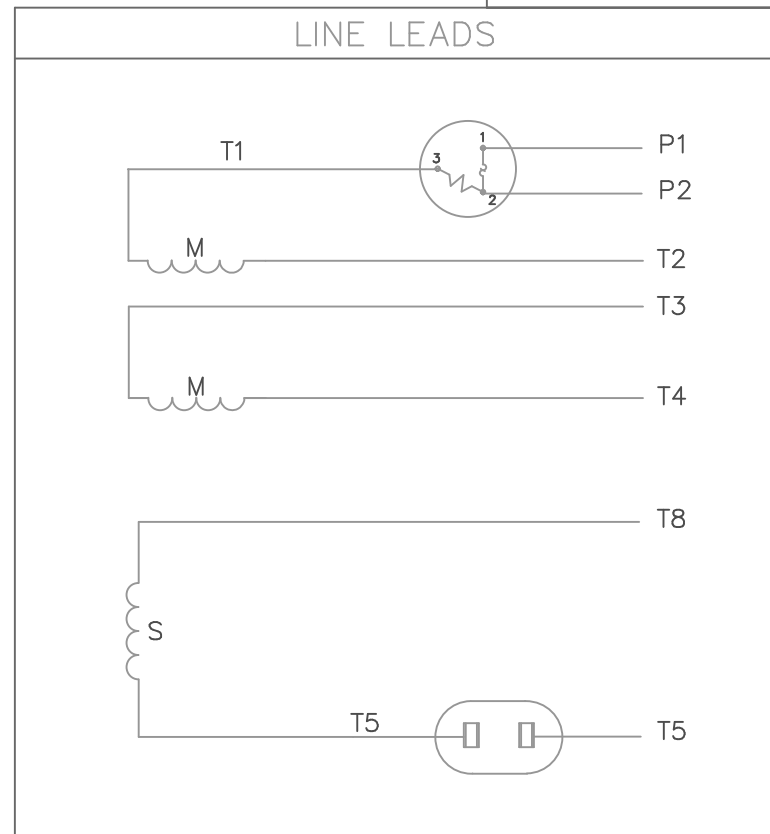
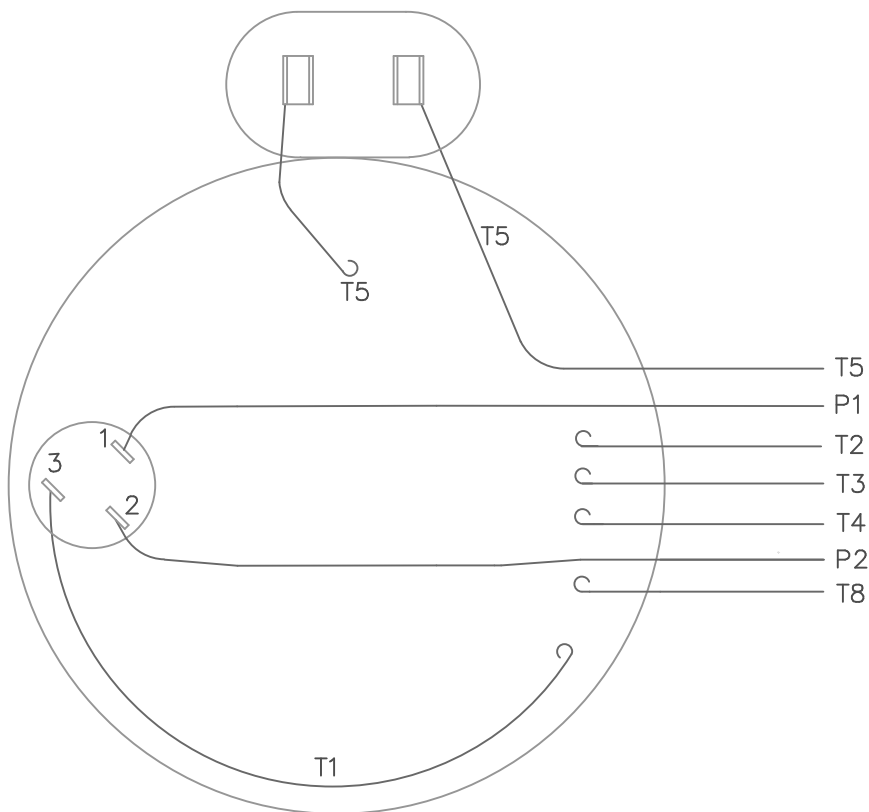
NO.	REVISION	BY & DATE	CHK	TOLERANCES UNLESS SPECIFIED		FINISH	MAT'L.	DRAWN KR 02/19/2014
				DEC.	INCHES			
				.X	±.1			CHK VS 02/19/2014
				.XX	±.03			APPD
				.XXX	±.005			SCALE 1:1
				.XXXX	±.0005			REF 105882LN
				ANG	±7'30"			FMF A099847.00
				RFP				PREV
THIS DRAWING IN DESIGN AND DETAIL IS OUR PROPERTY AND MUST NOT BE USED EXCEPT IN CONNECTION WITH OUR WORK ALL RIGHTS OF DESIGN AND INVENTION ARE RESERVED THIS IS AN ELECTRONICALLY GENERATED DOCUMENT - DO NOT SCALE THIS PRINT				CAD FILE 108161		SIZE A	DRAWING NO. 108161	PAGE OF REV. A



ELECTRIC MOTORS
GEARMOTORS
AND DRIVES

TITLE OUTLINE
56 FR. - TE - BB

VIEW FROM OUTSIDE OF MOTOR AT SWITCH END.



	ROTATION FACING LEAD END	L1	L2	JOIN	INSULATE SEPARATELY
HIGH VOLT	C.C.W.	P1	T4 T5	T2,T3 T8	P2
	C.W.	P1	T4 T8	T2,T3 T5	P2
LOW VOLT	C.C.W.	P1	T2,T4 T5	P2,T3 T8	--
	C.W.	P1	T2,T4 T8	P2,T3 T5	--

				TOLERANCES UNLESS OTHERWISE SPECIFIED			LEESON ELECTRIC CORPORATION				
				DEC.	INCHES	METRIC					
				.X	±	±	DRAWN JRW 10/01/75		TITLE EXTERNAL WIRING DIAGRAM TYPE "P" W/PROTECTOR		
				.XX	±	±	APPR. JBM 10/02/75				
08	REDRAWN ON CAD	DBT 05/28/97		.XXX	±	±	R.F.P.		MAT'L. DECAL - 004011 BRF		
NO.	REVISION	BY & DATE	CH'K'D.	.XXXX	±	±	SCALE 1=1				
THIS DRAWING IN DESIGN AND DETAIL IS OUR PROPERTY AND MUST NOT BE USED EXCEPT IN CONNECTION WITH OUR WORK ALL RIGHTS OF DESIGN AND INVENTION ARE RESERVED THIS IS AN ELECTRONICALLY GENERATED DOCUMENT - DO NOT SCALE THIS PRINT				FRACTIONS	±		REF.	005003	FINISH	REV. 08	DRAWING NO. 005109-01
				ANGLES	±		FMF	W-P5567			



**1051 CHEYENNE AVE.
GRAFTON, WI 53024
PH. 262-377-8810**

CERTIFICATION DATA SHEET

CONN. DIAGRAM: A-005109-01
OUTLINE: A-108161-756
WINDING #: ZP6102 3

CATALOG #: A099847.00
MOUNTING: F1 ONLY

TYPICAL MOTOR PERFORMANCE DATA

HP	kW	SYNC. RPM	F.L. RPM	FRAME	ENCLOSURE	KVA CODE	DESIGN
3/4	0.56	1200	1075	56H	TEAO	B	N

PH	Hz	VOLTS	AMPS	START TYPE	DUTY	INSL	S.F.	AMB°C
1	60	115/230	7.3/3.65	ACROSS THE LINE	CONTINUOUS	B3	1.0	40

FULL LOAD EFF:	76	3/4 LOAD EFF:	70.3	1/2 LOAD EFF:	61.1	GTD. EFF	ELEC. TYPE
FULL LOAD PF:	98.3	3/4 LOAD PF:	96.9	1/2 LOAD PF:	95	70	PSC 1 SPEED

F.L. TORQUE	LOCKED ROTOR AMPS	L.R. TORQUE	B.D. TORQUE	F.L. RISE°C
58.6 OZ-FT	21.1 / 10.6	19 OZ-FT 32 %	83 OZ-FT 142 %	0

SOUND PRESSURE @ 3 FT.	SOUND POWER	ROTOR WK^2	MAX. WK^2	SAFE STALL TIME	STARTS / HOUR	APPROX. MOTOR WGT
0 dBA	10 dBA	0 LB-FT^2	0 LB-FT^2	0 SEC.	0	31 LBS.

***** SUPPLEMENTAL INFORMATION *****

DE BRACKET TYPE	ODE BRACKET TYPE	MOUNT TYPE	ORIENTATION	SEVERE DUTY	HAZARDOUS LOCATION	DRIP COVER	SCREENS	PAINT
STANDARD	STANDARD	RIGID-EXTENDED STUDS	HORIZONTAL	FALSE	NONE	FALSE	NONE	GRAY - LIGHT

BEARINGS		GREASE	SHAFT TYPE	SPECIAL DE	SPECIAL ODE	SHAFT MATERIAL	FRAME MATERIAL
DE	ODE						
BALL	BALL	POLYREX EM	SGL SPL EXT	SPECIAL	NONE	1144 STRESSPROOF (C-223)	ROLLED STEEL
6203	6203						

THERMO-PROTECTORS				THERMISTORS	CONTROL	SPACE HEATERS
THERMOSTATS	PROTECTORS	WDG RTDs	BRG RTDs			
NONE	AUT LCK RTR ONLY	NONE	NONE	NONE	FALSE	NONE VOLTS

INVERTER TORQUE: NONE
INV. HP SPEED RANGE: NONE
ENCODER: NONE
NONE NONE
NONE NONE PPR
BRAKE: NONE NONE
NONE P/N NONE
NONE NONE
FT-LB NONE V NONE Hz

*
N
O
T
E
S
*

