

PRODUCT INFORMATION PACKET



Model No: 111949.00
Catalog No: 111949.00
1.50 HP Agricultural Motor, 1 phase, 3600 RPM, 115/208-230 V, 56Z Frame, TEAO
Agricultural Motors



Regal and Leeson are trademarks of Regal Rexnord Corporation or one of its affiliated companies.
©2021 Regal Rexnord Corporation, All Rights Reserved. MC017097E



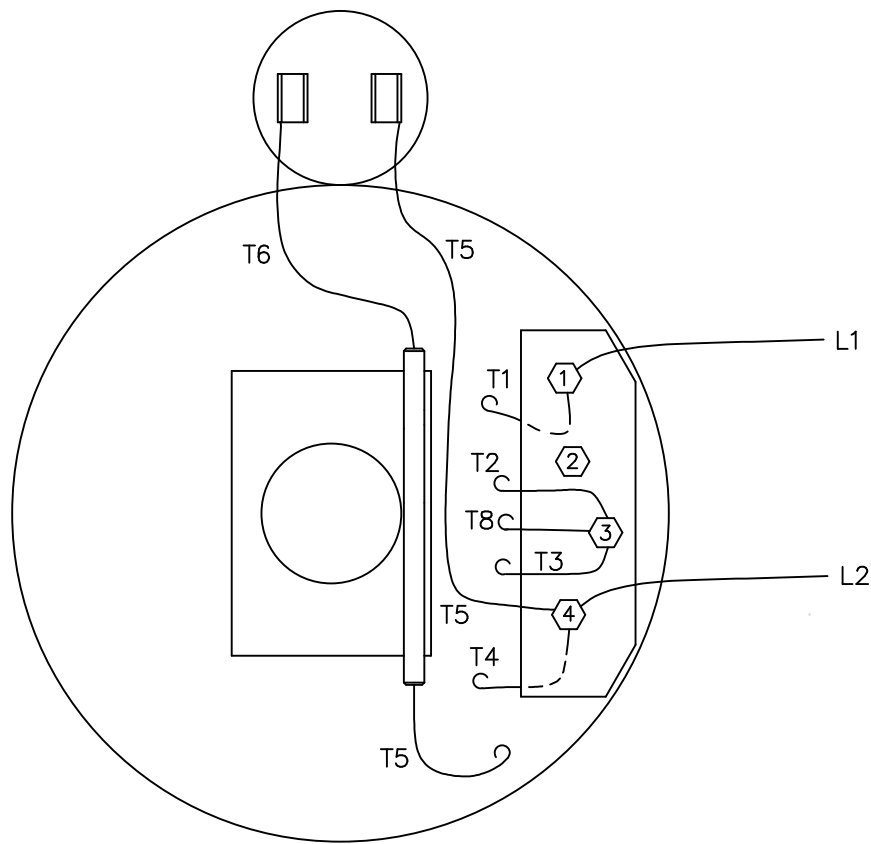


Nameplate Specifications

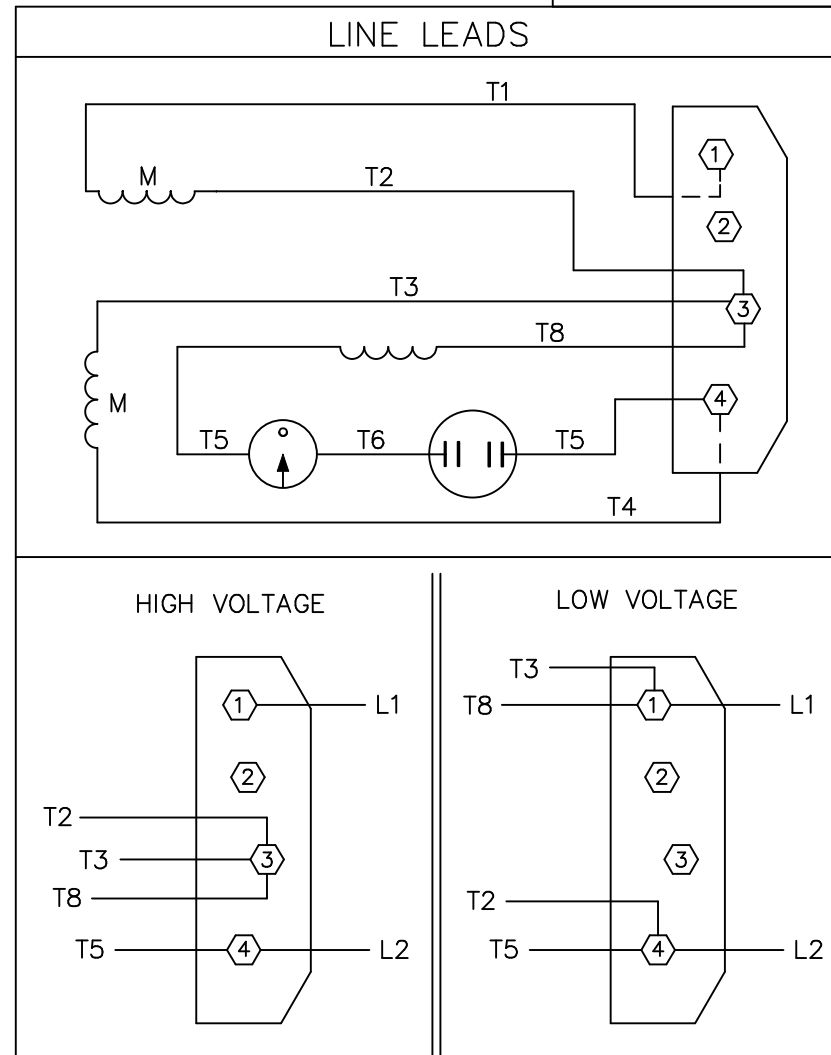
Output HP	1.50 Hp	Output KW	1.1 kW
Frequency	60 Hz	Voltage	115/208-230 V
Current	17.0/9.0-8.5 A	Speed	3450 rpm
Service Factor	1	Phase	1
Efficiency	72 %	Power Factor	80
Duty	Continuous	Insulation Class	B
Design Code	L	KVA Code	H
Frame	56Z	Enclosure	Totally Enclosed Air Over
Thermal Protection	No	Ambient Temperature	40 °C
Drive End Bearing Size	6203	Opp Drive End Bearing Size	6203
UL	Recognized	CSA	Y
CE	N	IP Code	43
Number of Speeds	1		

Technical Specifications


Electrical Type	Capacitor Start Induction Run	Starting Method	Across The Line
Poles	2	Rotation	Selective Counterclockwise
Resistance Main	1.32 Ohms	Mounting	Rigid Base
Motor Orientation	Horizontal	Drive End Bearing	Ball
Opp Drive End Bearing	Ball	Frame Material	Rolled Steel
Shaft Type	NEMA 56	Overall Length	11.40 in
Frame Length	6.50 in	Shaft Diameter	0.625 in
Shaft Extension	1.87 in	Assembly/Box Mounting	F1 ONLY
Connection Drawing	005005.52	Outline Drawing	028597-650B



VIEW FROM OUTSIDE OF MOTOR AT SWITCH END.



C.C.W. ROTATION FACING LEAD END
INTERCHANGE LEADS T5 & T8 FOR C.W.

		TOLERANCES UNLESS SPECIFIED		ELECTRIC MOTORS GEARMOTORS AND DRIVES		DRAWN PG 9/14/05		
		DEC.	INCHES	 ELECTRIC MOTORS GEARMOTORS AND DRIVES TITLE EXTERNAL WIRING DIAGRAM TYPE "C" W/O PROTECTOR MAT'L. DECAL 081209-01 FINISH STANDARD		CHK	APPD	
		.X	±.1			SCALE	1=1	
		.XX	±.01			REF	005005-24	
		.XXX	±.005			FMF	115950.00	
		.XXXX	±.0005			PREV		
NO.	REVISION	BY & DATE	CHK	ANG	±1/2'	SIZE	DRAWING NO.	REV.
			RFP			A	005005-52	
			DIST					

THIS DRAWING IN DESIGN AND DETAIL IS OUR PROPERTY AND MUST NOT BE USED EXCEPT IN CONNECTION WITH OUR WORK ALL RIGHTS OF DESIGN AND INVENTION ARE RESERVED THIS IS AN ELECTRONICALLY GENERATED DOCUMENT - DO NOT SCALE THIS PRINT



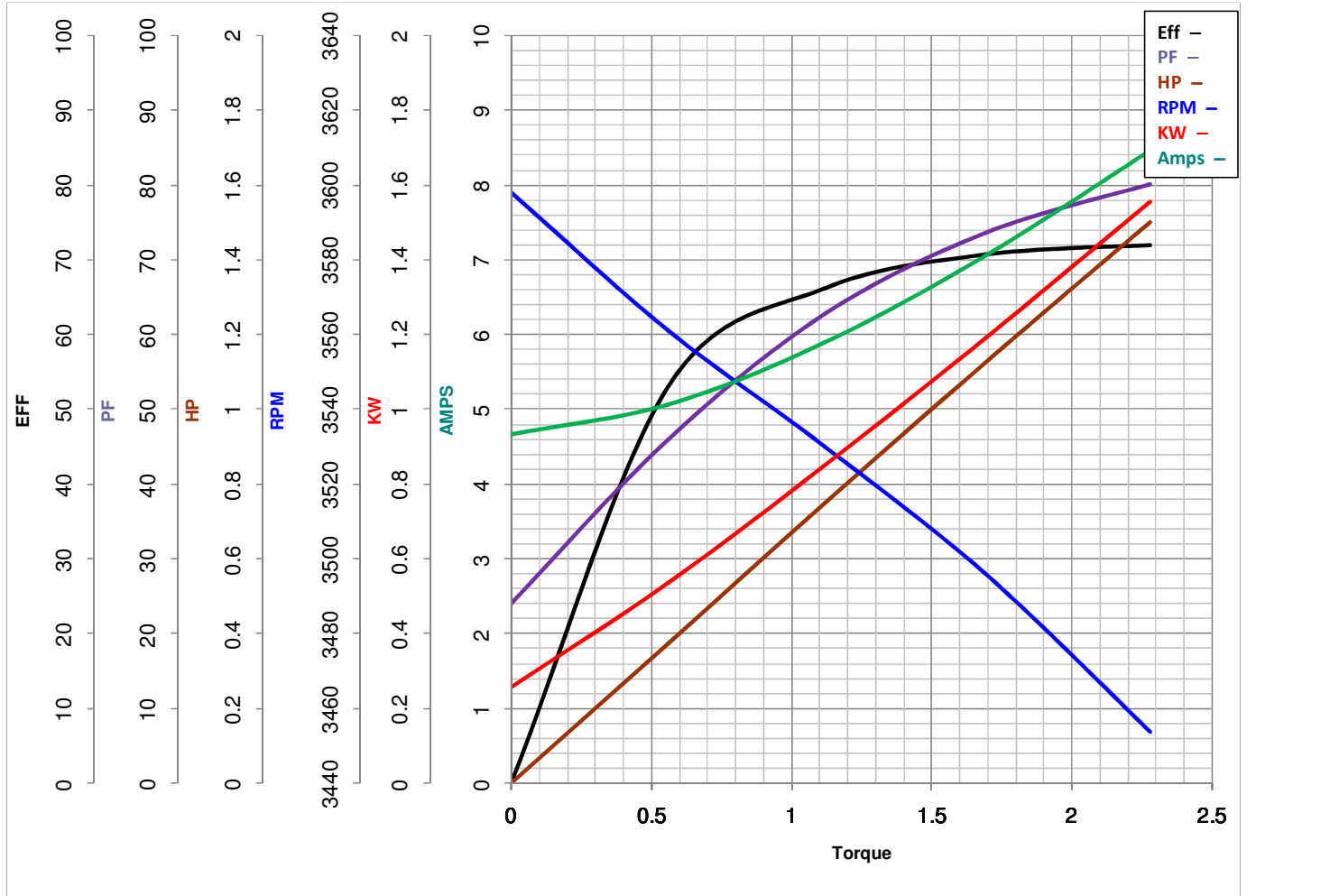
LEESON ELECTRIC CORPORATION
 TYPICAL PERFORMANCE CURVE for AC MOTOR

Model No 111949.00

Curve at 230 Volts HP 1.50 PHASE 1
60 HZ
1.5 HP VOLTS 115/208-230

Catalog No 111949.00

HZ 60 RPM 3450



Torque in Lb.Ft

FL TORQUE 2.28 Lb.Ft
 BD TORQUE 5.6 Lb.Ft
 LR TORQUE 5.5 Lb.Ft

FL AMPS 17/9-8.5
 PU TORQUE 5.3 Lb.Ft
 LR AMPS 46

WINDING C632212-3

Date 4/12/2018