

# PRODUCT INFORMATION PACKET

Model No: 131603.00

Catalog No: 131603.00

3 HP Agricultural Motor, 1 phase, 1800 RPM, 230 V, 184TC Frame, TEFC



Regal and are trademarks of Regal Rexnord Corporation or one of its affiliated companies.  
©2022 Regal Rexnord Corporation, All Rights Reserved. MC017097E

### Nameplate Specifications

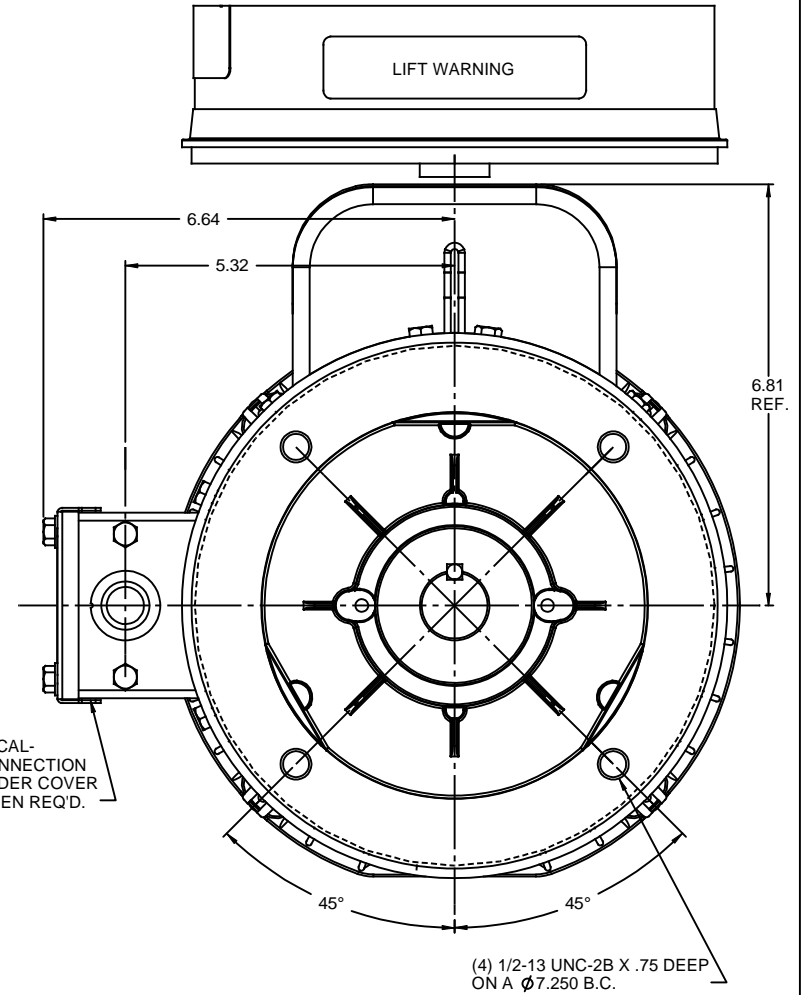
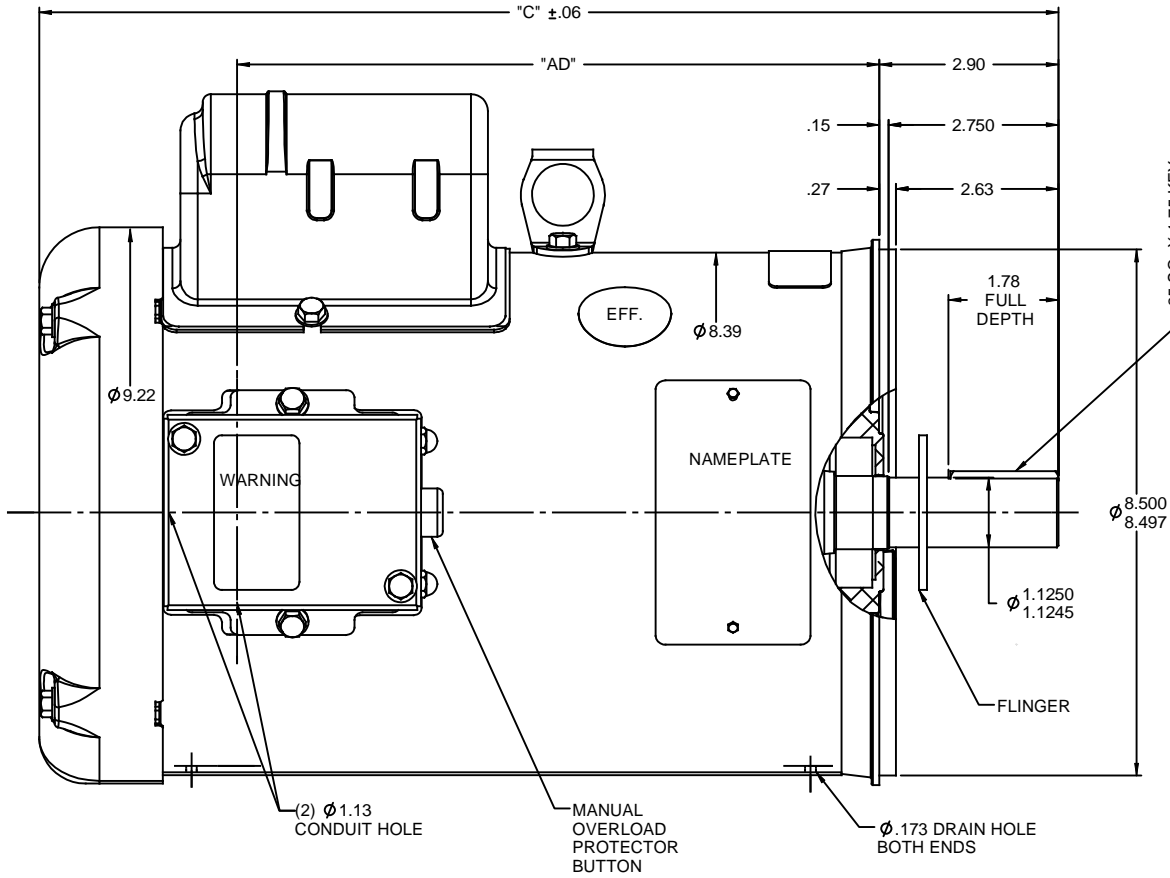
Output HP	<b>3 Hp</b>	Output KW	<b>2.2 kW</b>
Frequency	<b>60 Hz</b>	Voltage	<b>230 V</b>
Current	<b>19.0 A</b>	Speed	<b>1740 rpm</b>
Service Factor	<b>1.15</b>	Phase	<b>1</b>
Efficiency	<b>75.5 %</b>	Power Factor	<b>68</b>
Duty	<b>Continuous</b>	Insulation Class	<b>F</b>
Design Code	<b>L</b>	KVA Code	<b>K</b>
Frame	<b>184TC</b>	Enclosure	<b>Totally Enclosed Fan Cooled</b>
Thermal Protection	<b>Manual</b>	Ambient Temperature	<b>40 °C</b>
Drive End Bearing Size	<b>6206</b>	Opp Drive End Bearing Size	<b>6205</b>
UL	<b>Recognized</b>	CSA	<b>Y</b>
CE	<b>N</b>	IP Code	<b>43</b>
Number of Speeds	<b>1</b>		

### Technical Specifications

Electrical Type	<b>Capacitor Start Induction Run</b>	Starting Method	<b>Across The Line</b>
Poles	<b>4</b>	Rotation	<b>Selective Counterclockwise</b>
Resistance Main	<b>.498 Ohms</b>	Mounting	<b>Round</b>
Motor Orientation	<b>Horizontal</b>	Drive End Bearing	<b>Ball</b>
Opp Drive End Bearing	<b>Ball</b>	Frame Material	<b>Rolled Steel</b>
Shaft Type	<b>T</b>	Overall Length	<b>16.44 in</b>
Frame Length	<b>11.00 in</b>	Shaft Diameter	<b>1.125 in</b>
Shaft Extension	<b>2.75 in</b>	Assembly/Box Mounting	<b>F1 ONLY</b>
Connection Drawing	<b>005110.01</b>	Outline Drawing	<b>035379-1100</b>

This is an uncontrolled document once printed or downloaded and is subject to change without notice. Date Created:06/08/2022

RBC PROPRIETARY AND CONFIDENTIAL INFORMATION  
 This document is the property of REGAL BELOIT CORPORATION ("RBC") including its subsidiaries and divisions and contains proprietary information of RBC. This document is loaned on the express condition that neither it nor the information contained therein shall be disclosed to others without the express written consent of RBC, and that the information shall be used by the recipient only as approved expressly by RBC. This document shall be returned to RBC upon its request. This document may be subject to certain restrictions under U.S. export control laws and regulations.



DASH NO.	"C"	"AD"
750	12.94	6.87
800	13.44	7.37
850	13.94	7.87
900	14.44	8.37
950	14.94	8.87
1000	15.44	9.37
1050	15.94	9.87
1100	16.44	10.37
1150	16.94	10.87
1200	17.44	11.37

**MOTOR SPECIAL FEATURES**  
 GASKETS THROUGHOUT  
 DRAIN HOLES IN FRAME (UNPLUGGED)  
 MANUAL RESET OVERLOAD BUTTON  
 DOUBLE SEALED BALL BEARINGS  
 FLINGER

MAXIMUM FACE RUNOUT TO BE .004 T.I.R.  
 MAXIMUM PILOT ECCENTRICITY TO BE .004 T.I.R.  
 PERMISSIBLE SHAFT RUNOUT TO BE .002 T.I.R.

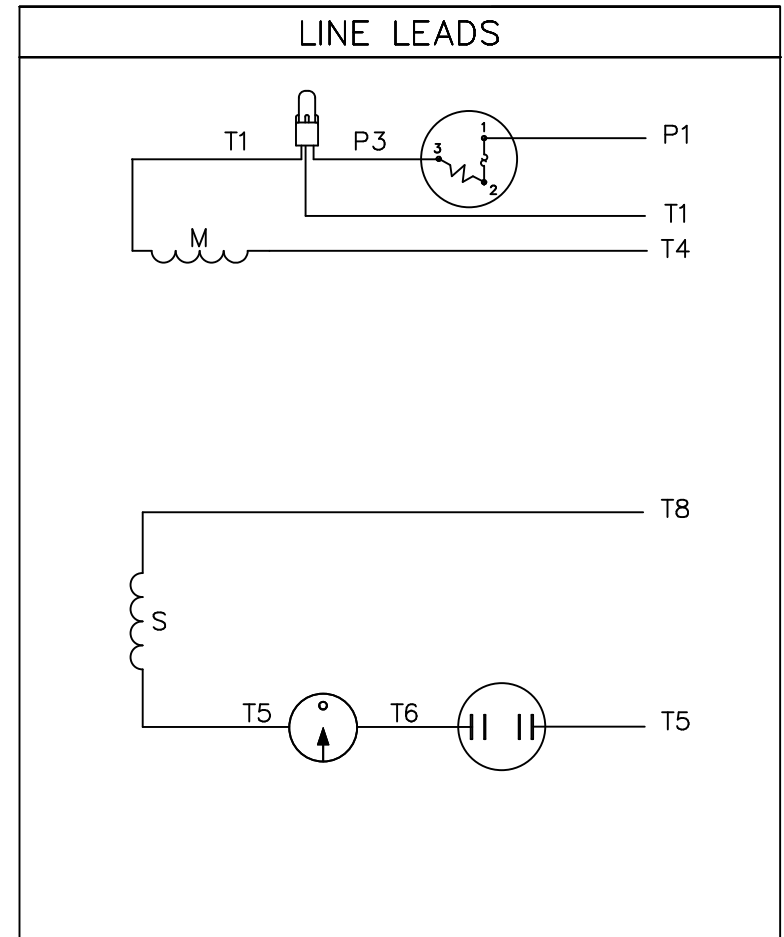
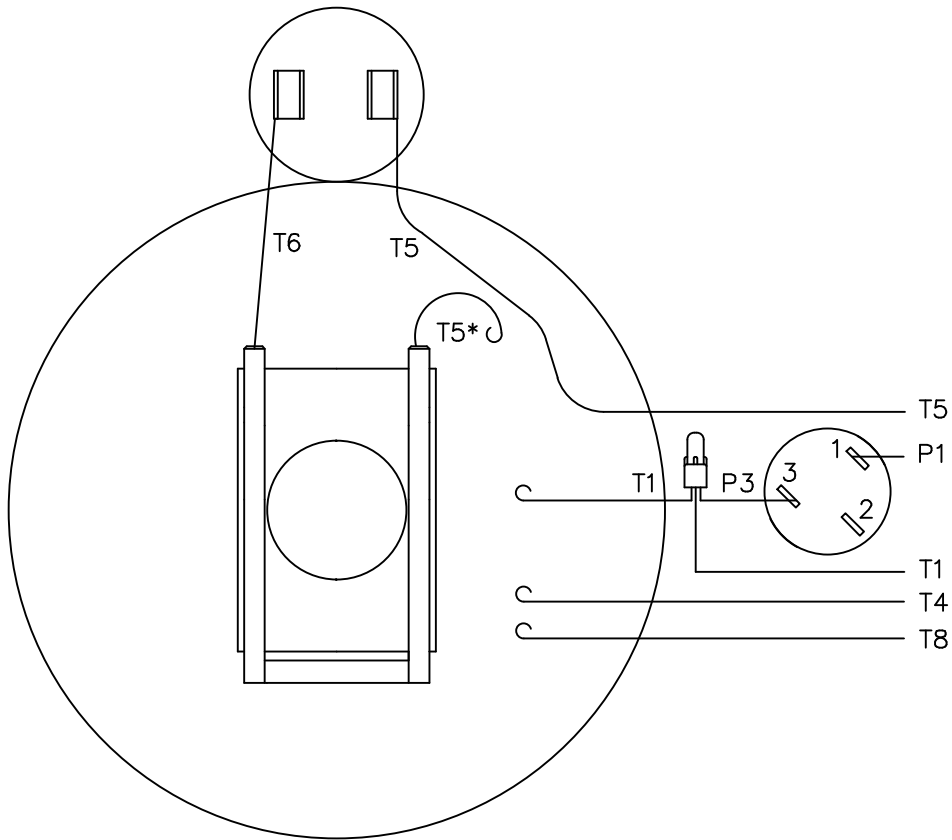
REVISION		BY & DATE	CHK	ANG	FINISH	SIZE	DRAWING NO	REV
- UPDATED & REDRAWN ON SOLIDWORKS		LST 11/11/2009	XX	XXX	±.0005			
NO			RFP	±1/2°	PREV	B	035379	-

TOLERANCES UNLESS SPECIFIED	DEC	INCHES	TITLE	DRAWN
X		±.1	OUTLINE - 180TC FRAME	PG 10/28/97
.XX		±.01	TEFC - "C" FACE	CHK RK 10/28/97
.XXX		±.005	MATL FARM DUTY MOTOR	APPR
.XXXX		±.0005		SCALE 1:2
				REF 035222
				FMF
				PAGE OF

THIRD ANGLE PROJECTION

VIEW FROM OUTSIDE OF MOTOR AT SWITCH END.



\* THIS LEAD MAY BE WHITE

ROTATION FACING LEAD END	L1	L2	JOIN & INSULATE
C.C.W.	P1	T4, T5	T1, T8
C.W.	P1	T4, T8	T1, T5

NO.	REVISION	BY & DATE	CHK	TOLERANCES UNLESS SPECIFIED	
				DEC.	INCHES
10	ALTERNATE T5 LEAD MARKING WAS RED	RLW 8/6/02		.X	±.1
09	ADDED ALTERNATE T5 LEAD MARKING	RLW 6/5/02	KH	.XX	±.01
08	ADDED MISSING "T4" LEAD FROM EB VIEW	DBT 09/22/97	PG	.XXX	±.005
07	REDRAWN ON CAD	DBT 06/24/97		.XXXX	±.0005
				ANG	±1/2°



ELECTRIC MOTORS  
GEARMOTORS  
AND DRIVES

DRAWN	JRW 10/21/75
CHK	TEM
APPD	10/23/75
SCALE	1=1
REF	005105
FMF	W-C63236-2
PREV	

TITLE	EXTERNAL WIRING DIAGRAM TYPE "C" W/ PROTECTOR
MAT'L.	DECAL - 004015
FINISH	

THIS DRAWING IN DESIGN AND DETAIL IS OUR PROPERTY AND MUST NOT BE USED EXCEPT IN CONNECTION WITH OUR WORK ALL RIGHTS OF DESIGN AND INVENTION ARE RESERVED THIS IS AN ELECTRONICALLY GENERATED DOCUMENT - DO NOT SCALE THIS PRINT

RFP	CAD FILE	00511001	SIZE	DRAWING NO.	REV.
DIST	NLV		A	005110-01	10



**LEESON ELECTRIC CORPORATION**  
TYPICAL PERFORMANCE CURVE for AC MOTOR

Model No 131603.00

Curve at 230  
60  
3

Volts  
HZ  
HP

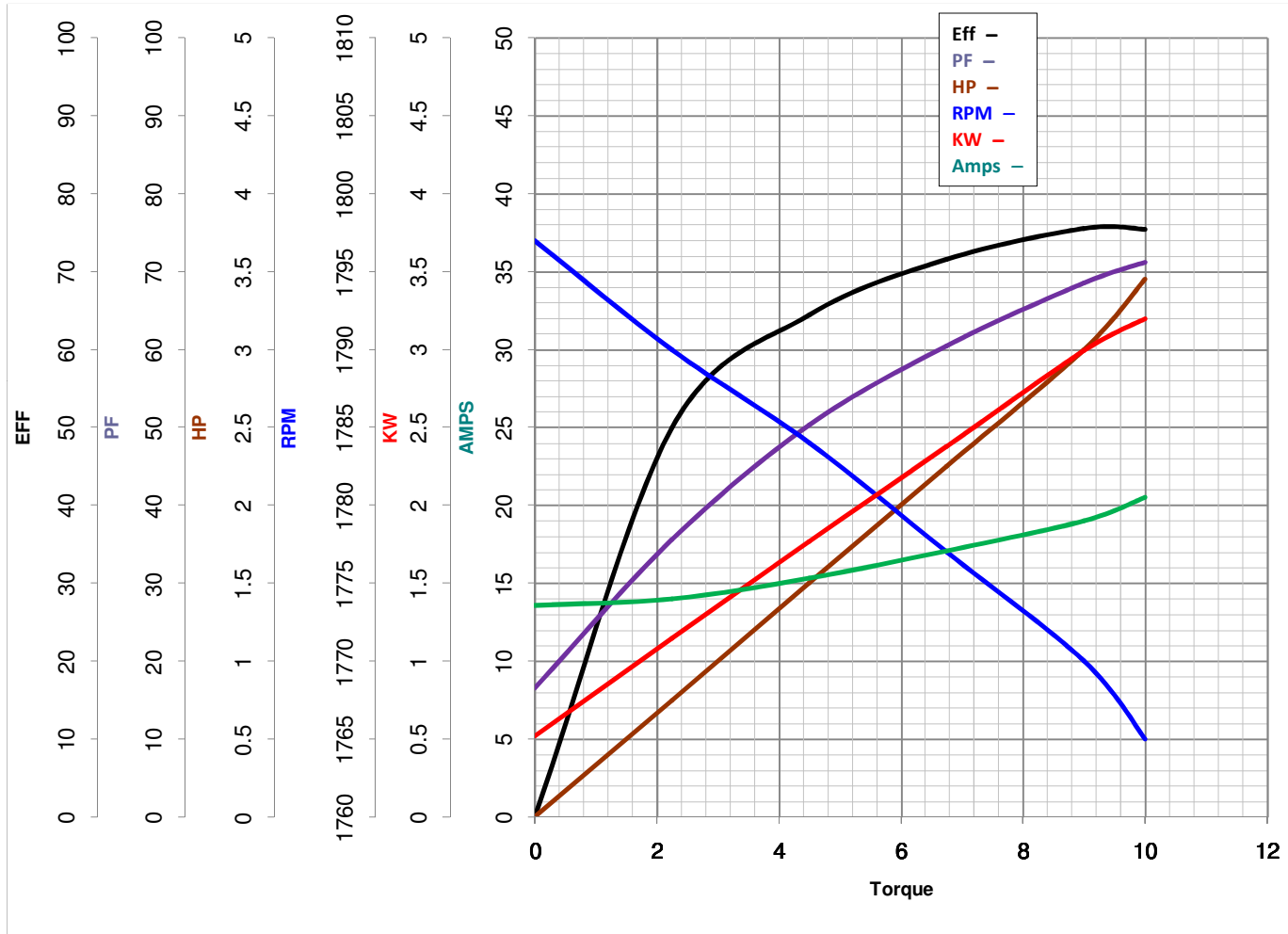
HP 3.00  
  
VOLTS 230

PHASE 1

Catalog No 131603.00

HZ 60

RPM 1740



Torque in Lb.Ft

FL TORQUE 19 Lb.Ft  
BD TORQUE 27.9 Lb.Ft  
LR TORQUE 37.45 Lb.Ft

FL AMPS 19  
PU TORQUE 23.5 Lb.Ft  
LR AMPS 136

WINDING C8429-2

Date 3/26/2018