

# PRODUCT INFORMATION PACKET



Model No: 111348.00  
Catalog No: 111348.00  
0.33 HP Agricultural Motor, 1 phase, 1800 RPM, 115/230 V, 56HY Frame, TEAO  
Agricultural Motors



Regal and Leeson are trademarks of Regal Rexnord Corporation or one of its affiliated companies.  
©2021 Regal Rexnord Corporation, All Rights Reserved. MC017097E





### Nameplate Specifications

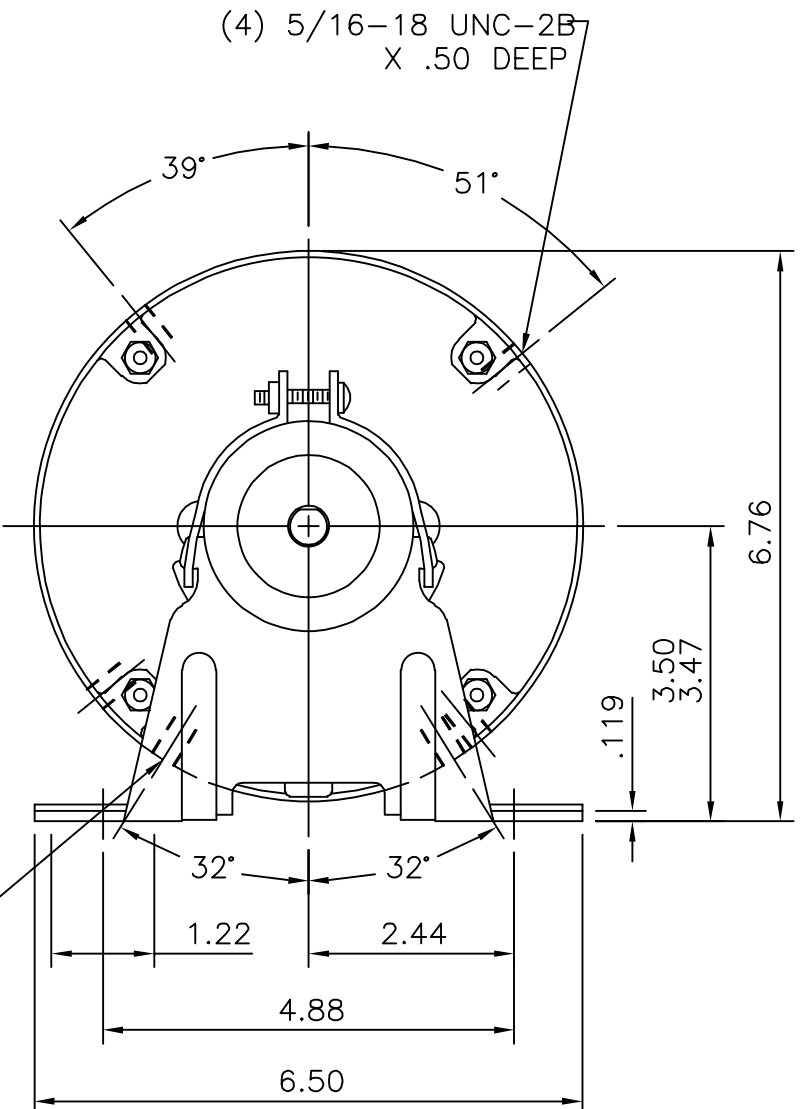
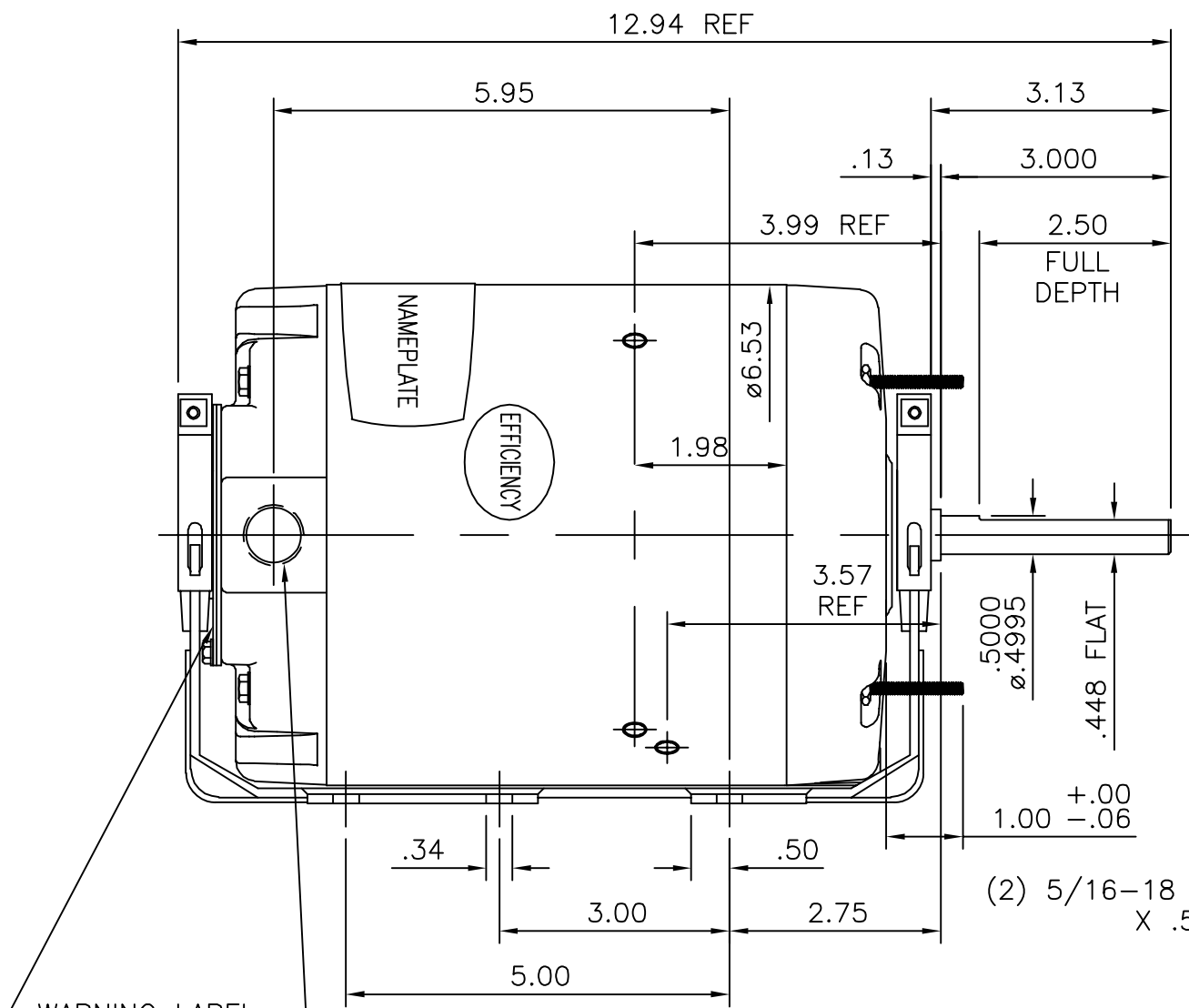
|                        |                |                            |                           |
|------------------------|----------------|----------------------------|---------------------------|
| Output HP              | 0.33 Hp        | Output KW                  | 0.25 kW                   |
| Frequency              | 60 Hz          | Voltage                    | 115/230 V                 |
| Current                | 3.4/1.7 A      | Speed                      | 1625 rpm                  |
| Service Factor         | 1              | Phase                      | 1                         |
| Efficiency             | 66 %           | Power Factor               | 99                        |
| Duty                   | Continuous     | Insulation Class           | B                         |
| Design Code            | NO DESIGN CODE | KVA Code                   | F                         |
| Frame                  | 56HY           | Enclosure                  | Totally Enclosed Air Over |
| Thermal Protection     | Automatic      | Ambient Temperature        | 40 °C                     |
| Drive End Bearing Size | 6203           | Opp Drive End Bearing Size | 6203                      |
| UL                     | Recognized     | CSA                        | Y                         |
| CE                     | N              | IP Code                    | 43                        |
| Number of Speeds       | 1              |                            |                           |

### Technical Specifications

|                       |                           |                       |                            |
|-----------------------|---------------------------|-----------------------|----------------------------|
| Electrical Type       | Permanent Split Capacitor | Starting Method       | Across The Line            |
| Poles                 | 4                         | Rotation              | Selective Counterclockwise |
| Resistance Main       | 0 Ohms                    | Mounting              | Resilient Base             |
| Motor Orientation     | Horizontal                | Drive End Bearing     | Ball                       |
| Opp Drive End Bearing | Ball                      | Frame Material        | Rolled Steel               |
| Shaft Type            | Single Special Extension  | Overall Length        | 12.94 in                   |
| Frame Length          | 6.00 in                   | Shaft Diameter        | 0.500 in                   |
| Shaft Extension       | 3 in                      | Assembly/Box Mounting | F1 ONLY                    |
| Connection Drawing    | 005109.03                 | Outline Drawing       | 028762-600                 |

This is an uncontrolled document once printed or downloaded and is subject to change without notice. Date Created:10/07/2021

028762



WARNING LABEL ON OUTSIDE OF BICB COVER

(1) 1/2-14 NPT (PLUGGED)

(2) 5/16-18 UNC-2B X .50 DEEP

(4) 5/16-18 UNC-2B X .50 DEEP

| DASH NO. | "C" "AD" |      |
|----------|----------|------|
|          | "C"      | "AD" |
| 600      | 12.94    | 5.95 |
| 650      | 13.44    | 6.45 |
| 700      | 13.94    | 6.95 |
| 750      | 14.44    | 7.45 |

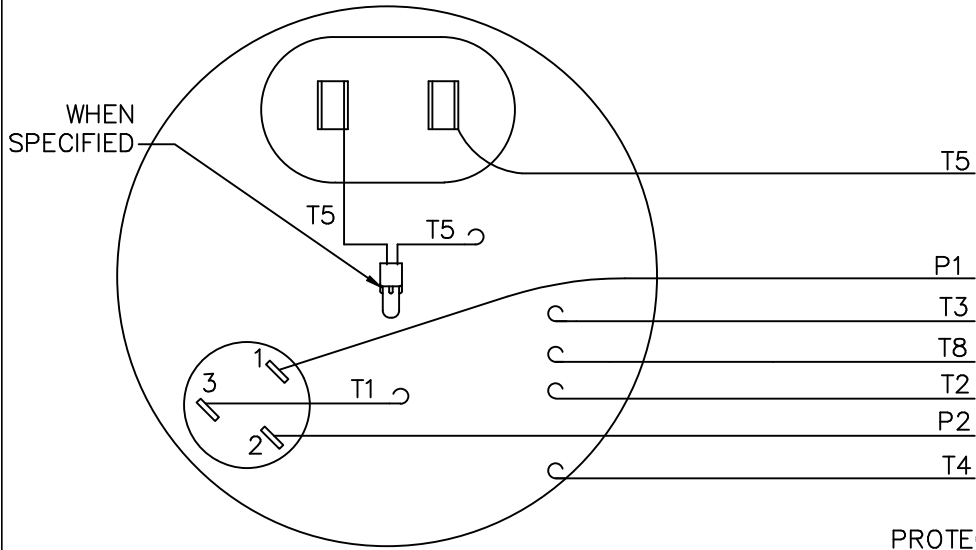
GASKETS THROUGHOUT  
NOTE: BASE SHIPPED SEPARATE

|     |   | TOLERANCES UNLESS SPECIFIED |                 | ELECTRIC MOTORS<br>GEARMOTORS<br>AND DRIVES    |       | DRAWN RDW 9/23/06 |        |                    |         |
|-----|---|-----------------------------|-----------------|--|-------|-------------------|--------|--------------------|---------|
|     |   | DEC.                        | INCHES          |  |       | CHK               |        |                    |         |
|     |   | .X                          | ±.1             | TITLE OUTLINE - 56HY FRAME<br>TENV - RESILIENT |       | APPD KH 9/23/06   |        |                    |         |
|     |   | .XX                         | ±.03            |  |       | SCALE 3=8         |        |                    |         |
|     |   | .XXX                        | ±.005           |  |       | REF 032910        |        |                    |         |
| 01  | MOVED WARNING LABEL TO BICB PER ECR-0058827 | ARV 05/22/14                | SK .XXXX ±.0005 |  |       | MAT'L.            |        | FMF                |         |
| NO. | REVISION                                    | BY & DATE                   | CHK             | ANG  | ±1/2' | FINISH            | PREV   |                    |         |
|     |   |                             | RFP             | 9/23/06  |       | CAD FILE 028762   | SIZE A | DRAWING NO. 028762 | REV. 01 |
|     |   |                             | DIST BRF-NLV    |  |       |                   |        |                    |         |

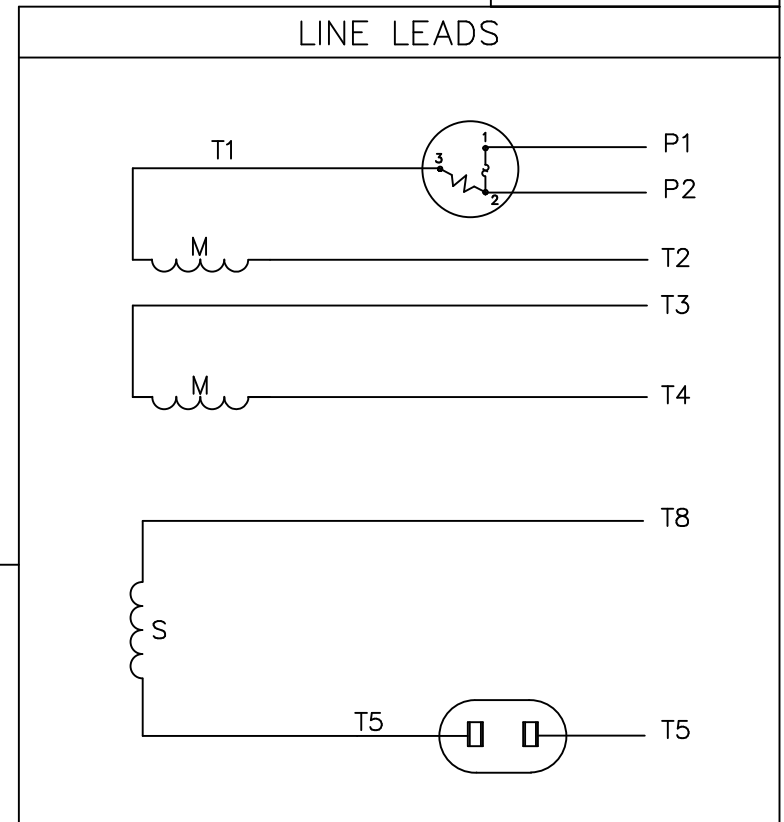
THIS DRAWING IN DESIGN AND DETAIL IS OUR PROPERTY AND MUST NOT BE USED EXCEPT IN CONNECTION WITH OUR WORK ALL RIGHTS OF DESIGN AND INVENTION ARE RESERVED THIS IS AN ELECTRONICALLY GENERATED DOCUMENT - DO NOT SCALE THIS PRINT

IEWS FROM OUTSIDE OF MOTOR AT LEAD END.

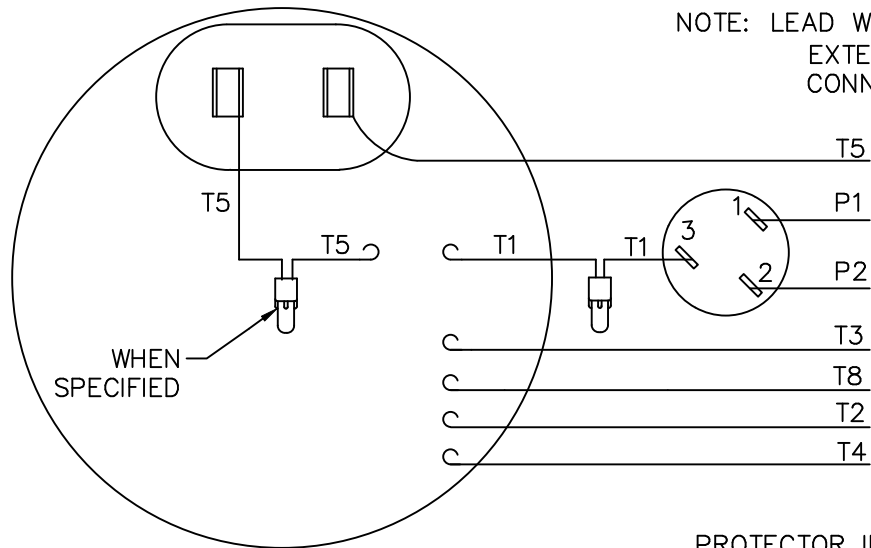
005109-03



PROTECTOR IN MOTOR




NOTE: LEAD WIRE INSULATION TO EXTEND MIN. 1/4" INTO CONNECTOR INSULATION



PROTECTOR IN CONDUIT BOX

|           | ROTATION FACING LEAD END | L1 | L2          | JOIN        | INSULATE SEPARATELY |
|-----------|--------------------------|----|-------------|-------------|---------------------|
| HIGH VOLT | C.C.W.                   | P1 | T4<br>T5    | T2,T3<br>T8 | P2                  |
|           | C.W.                     | P1 | T4<br>T8    | T2,T3<br>T5 | P2                  |
| LOW VOLT  | C.C.W.                   | P1 | T2,T4<br>T5 | P2,T3<br>T8 | --                  |
|           | C.W.                     | P1 | T2,T4<br>T8 | P2,T3<br>T5 | --                  |

|     |                        | TOLERANCES UNLESS SPECIFIED |         |  ELECTRIC MOTORS<br>GEARMOTORS<br>AND DRIVES | DRAWN PG 3/1/82 |                       |          |      |             |      |
|-----|------------------------|-----------------------------|---------|---|-----------------|-----------------------|----------|------|-------------|------|
|     |                        | DEC.                        | INCHES  |   | CHK KG 3/1/82   |                       |          |      |             |      |
|     |                        | .X                          | ±.1     |   | APPD            |                       |          |      |             |      |
|     |                        | .XX                         | ±.01    |   | SCALE 1=1       |                       |          |      |             |      |
|     |                        | .XXX                        | ±.005   | TITLE   |                 | REF PAGE 1            |          |      |             |      |
| 01  | ADDED "WHEN SPECIFIED" | KAZ                         | 3/31/92 | .XXXX   | ±.0005          | MAT'L. DECAL - 004011 |          |      |             |      |
| NO. | REVISION               | BY & DATE                   | CHK     | ANG   | ±1/2'           | FINISH                | PREV     |      |             |      |
|     |                        |                             |         | RFP   |                 | CAD FILE              | 00510903 | SIZE | DRAWING NO. | REV. |
|     |                        |                             |         | DIST  |                 |                       |          | A    | 005109-03   | 01   |

THIS DRAWING IN DESIGN AND DETAIL IS OUR PROPERTY AND MUST NOT BE USED EXCEPT IN CONNECTION WITH OUR WORK ALL RIGHTS OF DESIGN AND INVENTION ARE RESERVED THIS IS AN ELECTRONICALLY GENERATED DOCUMENT - DO NOT SCALE THIS PRINT



1051 CHEYENNE AVE.  
GRAFTON, WI 53024  
PH. 262-377-8810

**CERTIFICATION DATA SHEET**

**CONN. DIAGRAM:** 005109.03  
**OUTLINE:** 028762-600  
**WINDING #:** P634133 NR 3 A

**CATALOG #:** 111348.00  
**MOUNTING:** F1 ONLY

**TYPICAL MOTOR PERFORMANCE DATA**

| HP  | kW   | SYNC. RPM | F.L. RPM | FRAME | ENCLOSURE | KVA CODE | DESIGN         |
|-----|------|-----------|----------|-------|-----------|----------|----------------|
| 1/3 | 0.25 | 1800      | 1625     | 56HY  | TEAO      | F        | NO DESIGN CODE |

| PH | Hz | VOLTS   | AMPS    | START TYPE      | DUTY       | INSL | S.F. | AMB°C |
|----|----|---------|---------|-----------------|------------|------|------|-------|
| 1  | 60 | 115/230 | 3.4/1.7 | ACROSS THE LINE | CONTINUOUS | B4   | 1.0  | 40    |

| FULL LOAD EFF: | 66 | 3/4 LOAD EFF: | 55.4 | 1/2 LOAD EFF: | 45.9 | GTD. EFF |  | ELEC. TYPE  |  |
|----------------|----|---------------|------|---------------|------|----------|--|-------------|--|
| FULL LOAD PF:  | 99 | 3/4 LOAD PF:  | 99.1 | 1/2 LOAD PF:  | 97.8 | 59.5     |  | PSC 1 SPEED |  |

| F.L. TORQUE | LOCKED ROTOR AMPS | L.R. TORQUE   | B.D. TORQUE    | F.L. RISE°C |
|-------------|-------------------|---------------|----------------|-------------|
| 16 OZ-FT    | 14.3 / 7.1        | 6.9 OZ-FT 0 % | 36.4 OZ-FT 0 % | 0           |

| SOUND PRESSURE @ 3 FT. | SOUND POWER | ROTOR WK^2   | MAX. WK^2 | SAFE STALL TIME | STARTS / HOUR | APPROX. MOTOR WGT |
|------------------------|-------------|--------------|-----------|-----------------|---------------|-------------------|
| 60 dBA                 | 70 dBA      | 0.09 LB-FT^2 | 0 LB-FT^2 | 0 SEC.          | 0             | 32 LBS.           |

**\*\*\* SUPPLEMENTAL INFORMATION \*\*\***

| DE BRACKET TYPE | ODE BRACKET TYPE | MOUNT TYPE                    | ORIENTATION | SEVERE DUTY | HAZARDOUS LOCATION | DRIP COVER | SCREENS | PAINT                |
|-----------------|------------------|-------------------------------|-------------|-------------|--------------------|------------|---------|----------------------|
| STANDARD        | STANDARD         | RESILIENT BASE-EXTENDED STUDS | HORIZONTAL  | FALSE       | NONE               | FALSE      | NONE    | GRAY - LIGHT (EPOXY) |

| BEARINGS |      | GREASE     | SHAFT TYPE  | SPECIAL DE  | SPECIAL ODE | SHAFT MATERIAL           | FRAME MATERIAL |
|----------|------|------------|-------------|---|-------------|--------------------------|----------------|
| DE       | ODE  |            |             |   |             |                          |                |
| BALL     | BALL | POLYREX EM | SGL SPL EXT | 0.500 x 3.00 IN SEF WITH 2.75 IN DOUBLE FULL FLAT | NONE        | 1144 STRESSPROOF (C-223) | ROLLED STEEL   |
| 6203     | 6203 |            |             |   |             |                          |                |

| THERMO-PROTECTORS |            |          |          | THERMISTORS | CONTROL | SPACE HEATERS |
|-------------------|------------|----------|----------|-------------|---------|---------------|
| THERMOSTATS       | PROTECTORS | WDG RTDs | BRG RTDs |             |         |               |
| NONE              | AUTOMATIC  | NONE     | NONE     | NONE        | FALSE   | NONE VOLTS    |

|  |
|--|
| <b>INVERTER TORQUE:</b> NONE   |
| <b>INV. HP SPEED RANGE:</b> NONE   |
| <b>ENCODER:</b> NONE<br>NONE NONE<br>NONE NONE PPR                                 |
| <b>BRAKE:</b> NONE NONE<br>NONE P/N NONE<br>NONE NONE<br>NONE FT-LB NONE V NONE Hz |

\*  
N  
O  
T  
E  
S  
\*

3/25/2019

Generic Customer Submittal Report  
Uncontrolled Copy

\*\* Subject to change without  
notice.



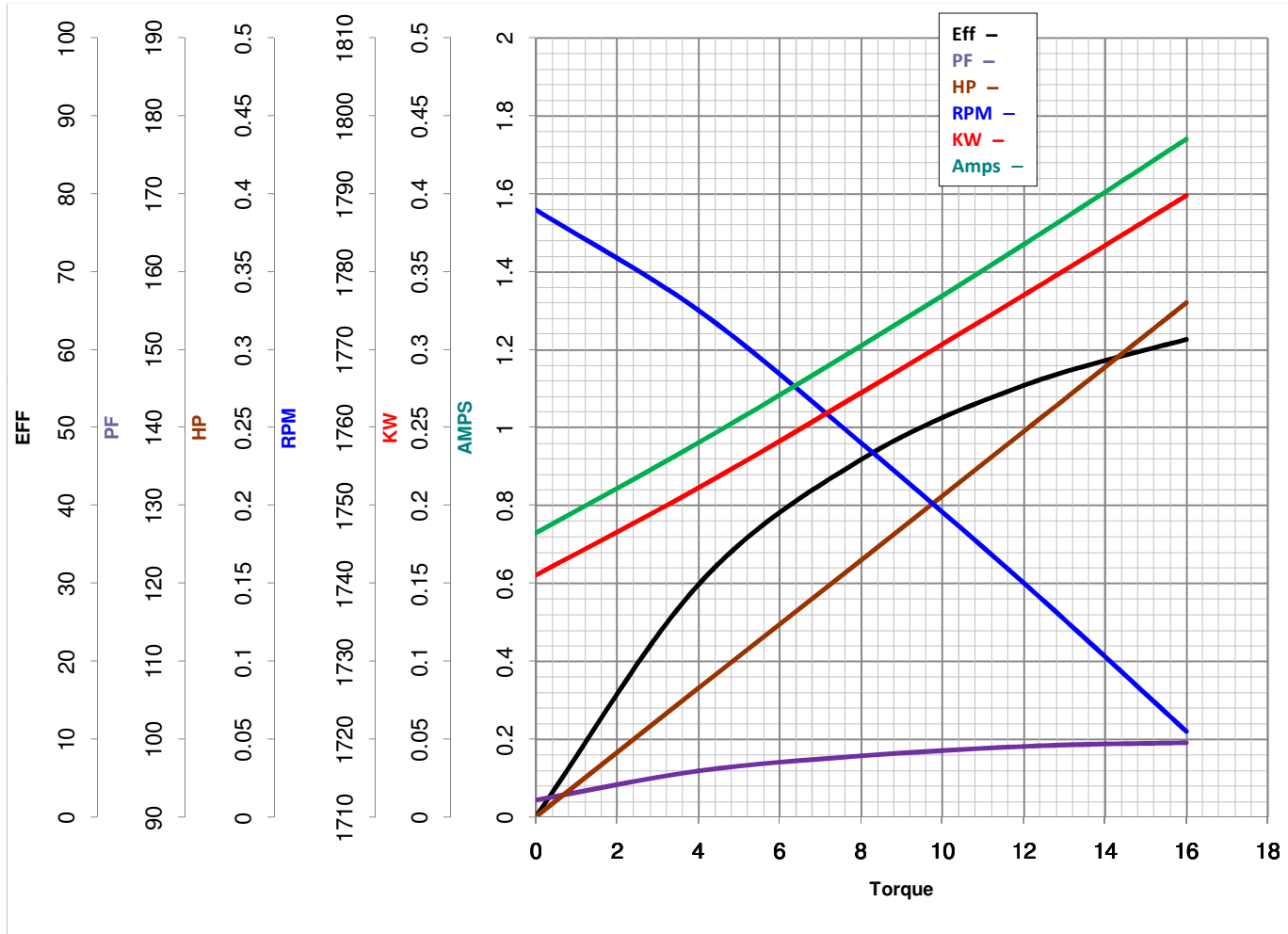
**LEESON ELECTRIC CORPORATION**  
 TYPICAL PERFORMANCE CURVE for AC MOTOR

Model No 111348.00

Curve at 230 Volts      HP 0.34      PHASE 1  
60 HZ  
0.33 HP      VOLTS 115/230

Catalog No 111348.00

HZ 60      RPM 1625



Torque in Oz.Ft

FL TORQUE 16 Oz.Ft  
 BD TORQUE 36.4 Oz.Ft  
 LR TORQUE 6.9 Oz.Ft

FL AMPS 3.4/1.7  
 PU TORQUE 5.7 Oz.Ft  
 LR AMPS 7.13

WINDING P634133-3

Date 3/13/2018