

PRODUCT INFORMATION PACKET

Model No: 110494.00

Catalog No: 110494.00

1 HP Agricultural Motor, 1 phase, 1800 RPM, 115/208-230 V, 56C Frame, TEFC



Regal and are trademarks of Regal Rexnord Corporation or one of its affiliated companies.

©2022 Regal Rexnord Corporation, All Rights Reserved. MC017097E

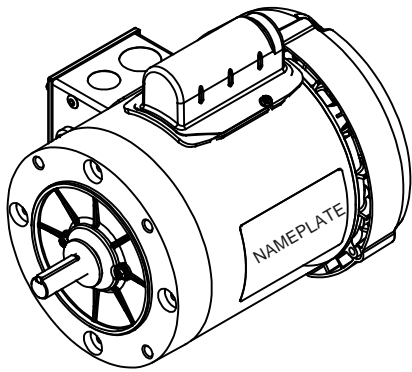
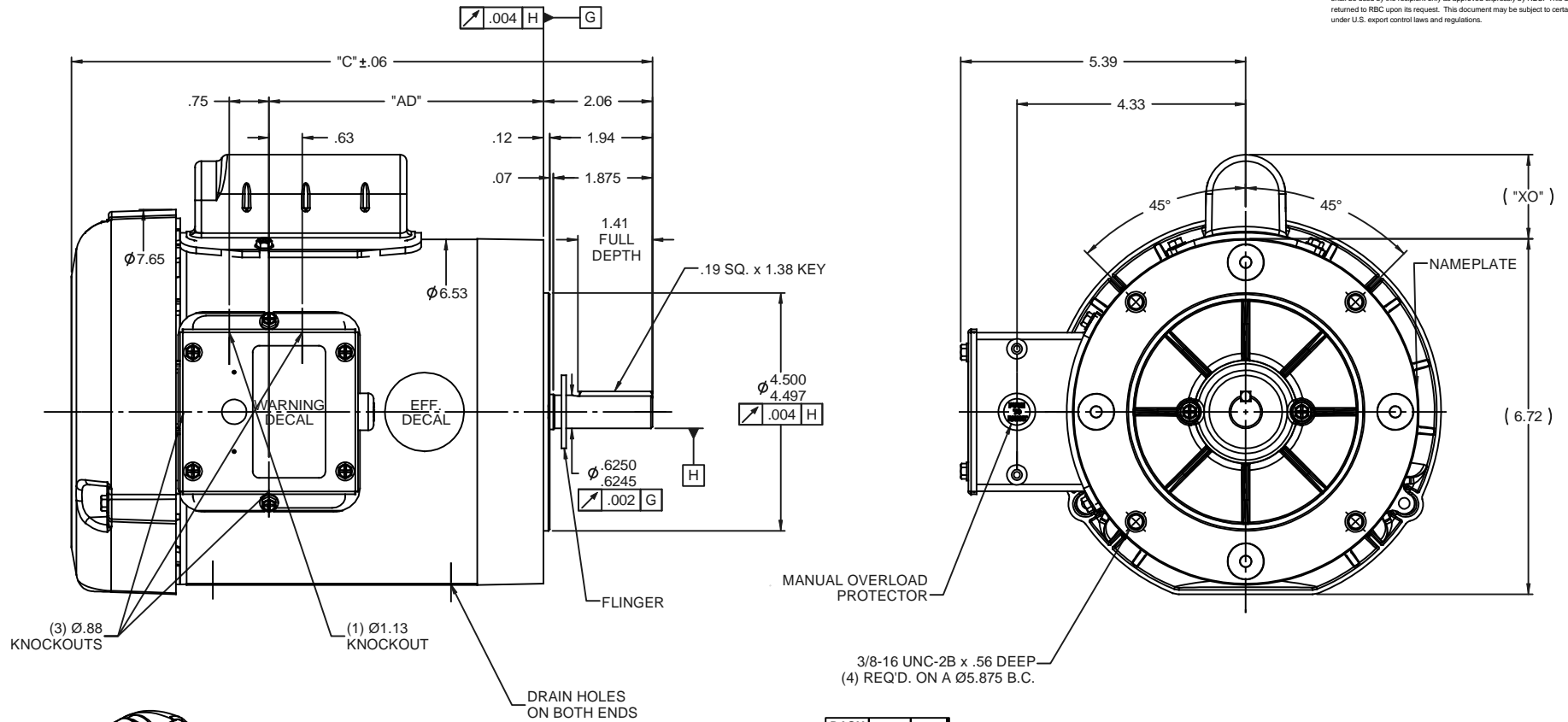
Nameplate Specifications

Output HP	1 Hp	Output KW	0.75 kW
Frequency	60 Hz	Voltage	115/208-230 V
Current	14.0/7.1-7.0 A	Speed	1725 rpm
Service Factor	1.15	Phase	1
Efficiency	74 %	Power Factor	63
Duty	Continuous	Insulation Class	F
Design Code	N	KVA Code	K
Frame	56C	Enclosure	Totally Enclosed Fan Cooled
Thermal Protection	Manual	Ambient Temperature	40 °C
Drive End Bearing Size	6203	Opp Drive End Bearing Size	6203
UL	Recognized	CSA	Y
CE	N	IP Code	43
Number of Speeds	1		

Technical Specifications

Electrical Type	Capacitor Start Induction Run	Starting Method	Across The Line
Poles	4	Rotation	Selective Counterclockwise
Resistance Main	1.8 Ohms	Mounting	Round
Motor Orientation	Horizontal	Drive End Bearing	Ball
Opp Drive End Bearing	Ball	Frame Material	Rolled Steel
Shaft Type	NEMA 56	Overall Length	11.98 in
Frame Length	6.50 in	Shaft Diameter	0.625 in
Shaft Extension	1.88 in	Assembly/Box Mounting	F1 ONLY
Outline Drawing	028865-650B	Connection Drawing	005003.03

This is an uncontrolled document once printed or downloaded and is subject to change without notice. Date Created:06/08/2022



DASH NO.	"C"	"AD"	CAP DASH.	"XO"
550	10.98	5.19		
600	11.48	5.59		
650	11.98	6.19		
700	12.48	6.69	A	1.61
750	12.98	7.19	B	2.08
800	13.48	7.69	C	2.32
850	13.98	8.19		

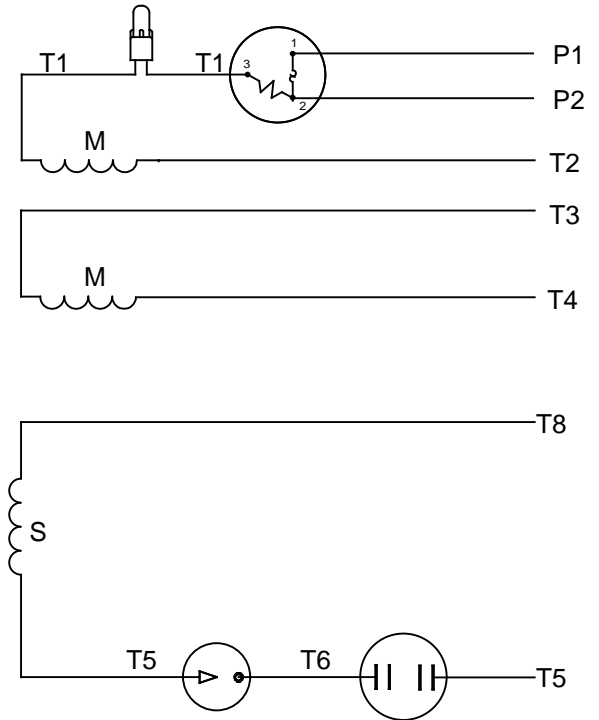
NOTES:
 1) GASKETS THROUGHOUT

REVISION		BY & DATE	CHK	ANG	FINISH	SIZE	DRAWING NO	REV
01	ADDED "XO" TABLE	GRB 12/10/2008 DJ	xxx	±.005	MATL	B	028865	01
THIRD ANGLE PROJECTION								
TOLERANCES UNLESS SPECIFIED								
DEC INCHES								
x ±.1								
.xx ±.03								
.xxx ±.005								
.xxxx ±.0005								
RFP 08/18/2008								
PREV								
NETWORK FILE NAME								
TITLE		OUTLINE - 56C FRAME		ELECTRIC MOTORS GEARMOTORS AND DRIVES		DRAWN GRB 08/18/2008		
TEFC - "C" FACE FARM DUTY		REF 033641		SCALE 1:2		CHK DJ 08/18/2008		
PAGE OF		110492.00		APPR				

VIEW FROM OUTSIDE OF MOTOR AT SWITCH END



LINE LEADS



RBC PROPRIETARY AND CONFIDENTIAL INFORMATION
 This document is the property of REGAL BELOIT CORPORATION ("RBC") including its subsidiaries and divisions and contains proprietary information of RBC. This document is loaned on the express condition that neither it nor the information contained therein shall be disclosed to others without the express written consent of RBC, and that the information shall be used by the recipient only as approved expressly by RBC. This document shall be returned to RBC upon its request. This document may be subject to certain restrictions under U.S. export control laws and regulations.

	ROTATION FACING LEAD END	L1	L2	JOIN	INSULATE SEPARATELY
HIGH VOLT	C.C.W.	P1	T4 T5	T2,T3 T8	P2
	C.W.	P1	T4 T8	T2,T3 T5	P2
LOW VOLT	C.C.W.	P1	T2,T4 T5	P2,T3 T8	---
	C.W.	P1	T2,T4 T8	P2,T3 T5	---

		TOLERANCES UNLESS SPECIFIED		LEESON	ELECTRIC MOTORS GEARMOTORS AND DRIVES	DRAWN		
NO	REVISION	DEC	INCHES			WLV	08/20/79	
		.X	±.1			CHK	ADN	08/27/76
		.XX	±.01			APPR	WRK	08/27/76
06	REDRAWN IN SOLIDWORKS	VJB	7/22/2011	.XXX	±.005	TITLE	EXTERNAL WIRING DIAGRAM TYPE "C" W/PROTECTOR	
05	REDRAWN ON CAD	DBT	05/27/97	.XXXX	±.0005	MAT'L	DECAL - 004011	
		CHK	ANG	±1/2°		FINISH	SCALE	1:1
		RFP	PREV			REF		
		NETWORK FILE NAME	00500303		SIZE	DRAWING NO		REV
					A	005003-03		06



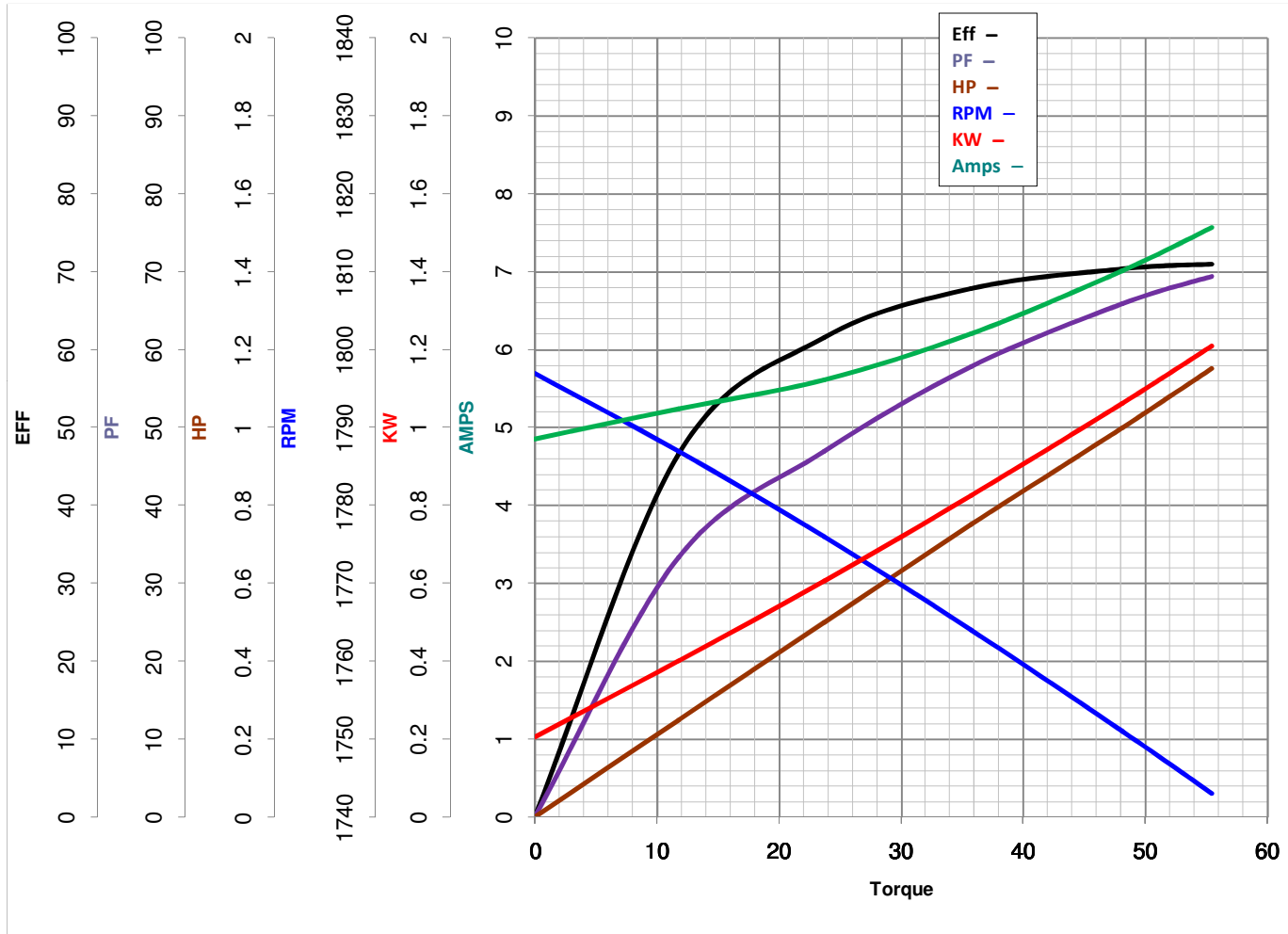


LEESON ELECTRIC CORPORATION
TYPICAL PERFORMANCE CURVE for AC MOTOR

Model No 110494.00

Catalog No 110494.00

Curve at 230 Volts HP 1.00 PHASE 1
60 HZ
1 HP VOLTS 115/208-230
HZ 60 RPM 1725



Torque in Oz.Ft

FL TORQUE 48.16 Oz.Ft
BD TORQUE 132.6 Oz.Ft
LR TORQUE 141.8 Oz.Ft

FL AMPS 14.7
PU TORQUE 117.6 Oz.Ft
LR AMPS 37.3

WINDING C634259-3

Date 3/23/2018