

PRODUCT INFORMATION PACKET

Model No: A009581.00
Catalog No: A009581.00
0.75 HP Agricultural Motor, 1 phase, 1800 RPM, 115/230 V, 56 Frame, TEAO



Regal and are trademarks of Regal Rexnord Corporation or one of its affiliated companies.
©2022 Regal Rexnord Corporation, All Rights Reserved. MC017097E

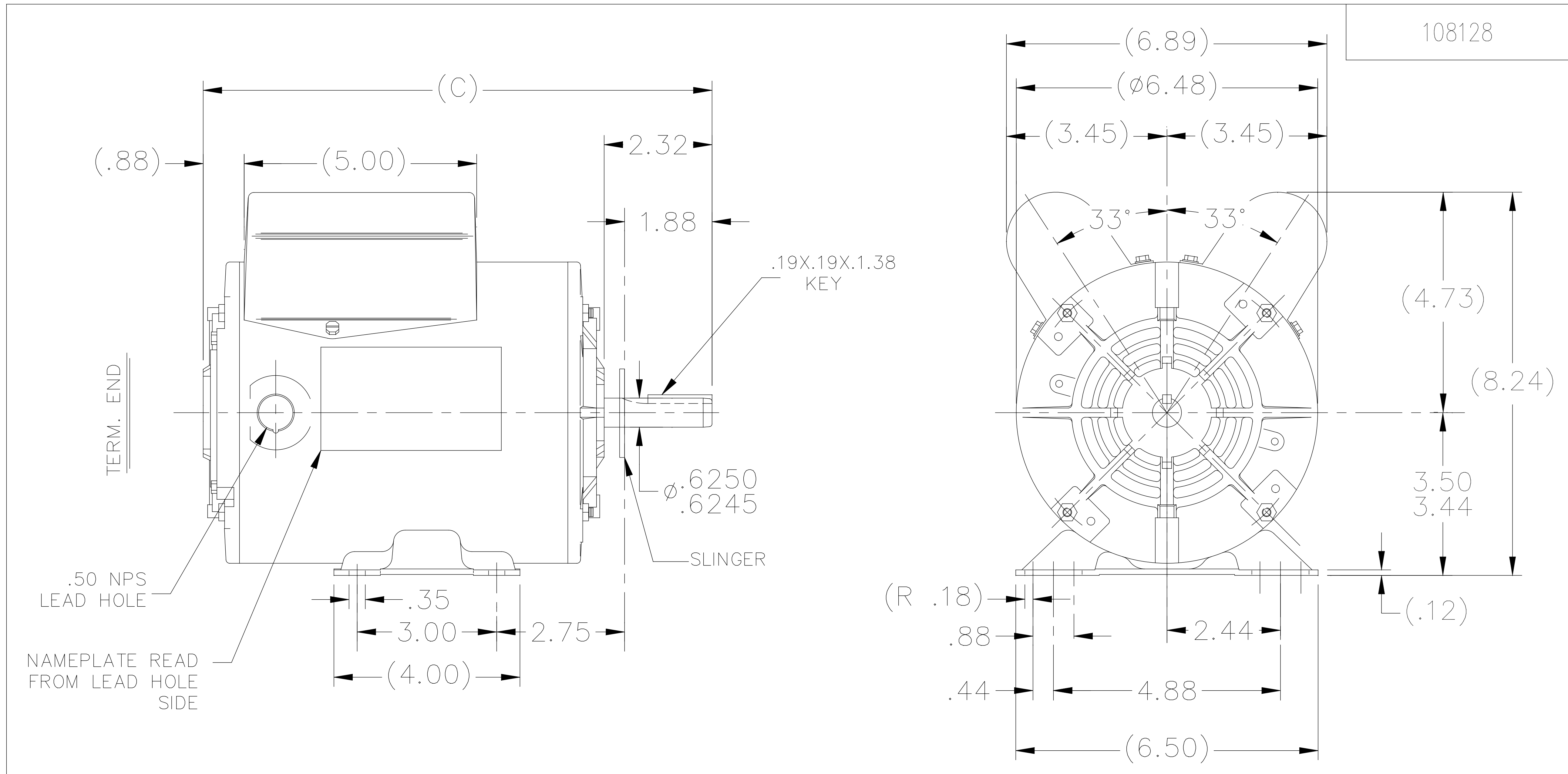
Nameplate Specifications

Output HP	0.75 Hp	Output KW	0.56 kW
Frequency	60 Hz	Voltage	115/230 V
Current	6.0/3.0 A	Speed	1725 rpm
Service Factor	1	Phase	1
Efficiency	83 %	Power Factor	99.2
Duty	Continuous	Insulation Class	B
Design Code	N	KVA Code	E
Frame	56	Enclosure	Totally Enclosed Air Over
Thermal Protection	Automatic	Ambient Temperature	40 °C
Drive End Bearing Size	6203	Opp Drive End Bearing Size	6203
UL	Recognized	CSA	Y
CE	N	IP Code	43
Number of Speeds	1		

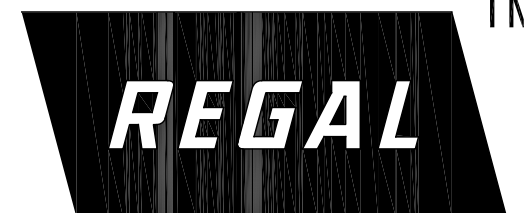
Technical Specifications

Electrical Type	Capacitor Start Capacitor Run	Starting Method	Across The Line
Poles	4	Rotation	Selective Counterclockwise
Resistance Main	0 Ohms	Mounting	Rigid Base
Motor Orientation	Horizontal	Drive End Bearing	Ball
Opp Drive End Bearing	Ball	Frame Material	Rolled Steel
Shaft Type	NEMA 56	Overall Length	10.94 in
Frame Length	7.06 in	Shaft Diameter	0.625 in
Shaft Extension	1.88 in	Assembly/Box Mounting	F1 ONLY
Connection Drawing	102006-85LE	Outline Drawing	108128-706

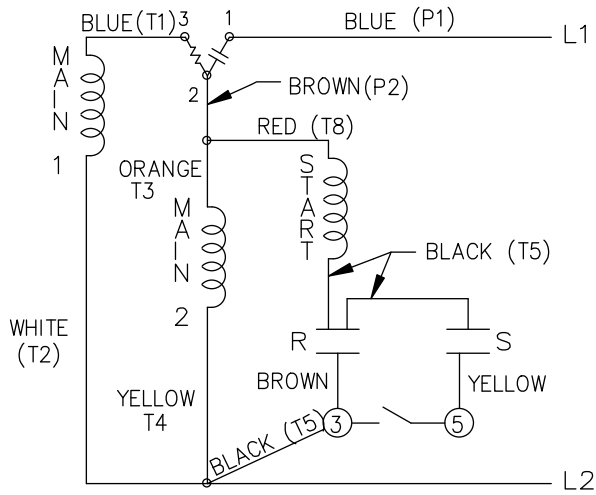
This is an uncontrolled document once printed or downloaded and is subject to change without notice. Date Created:06/08/2022



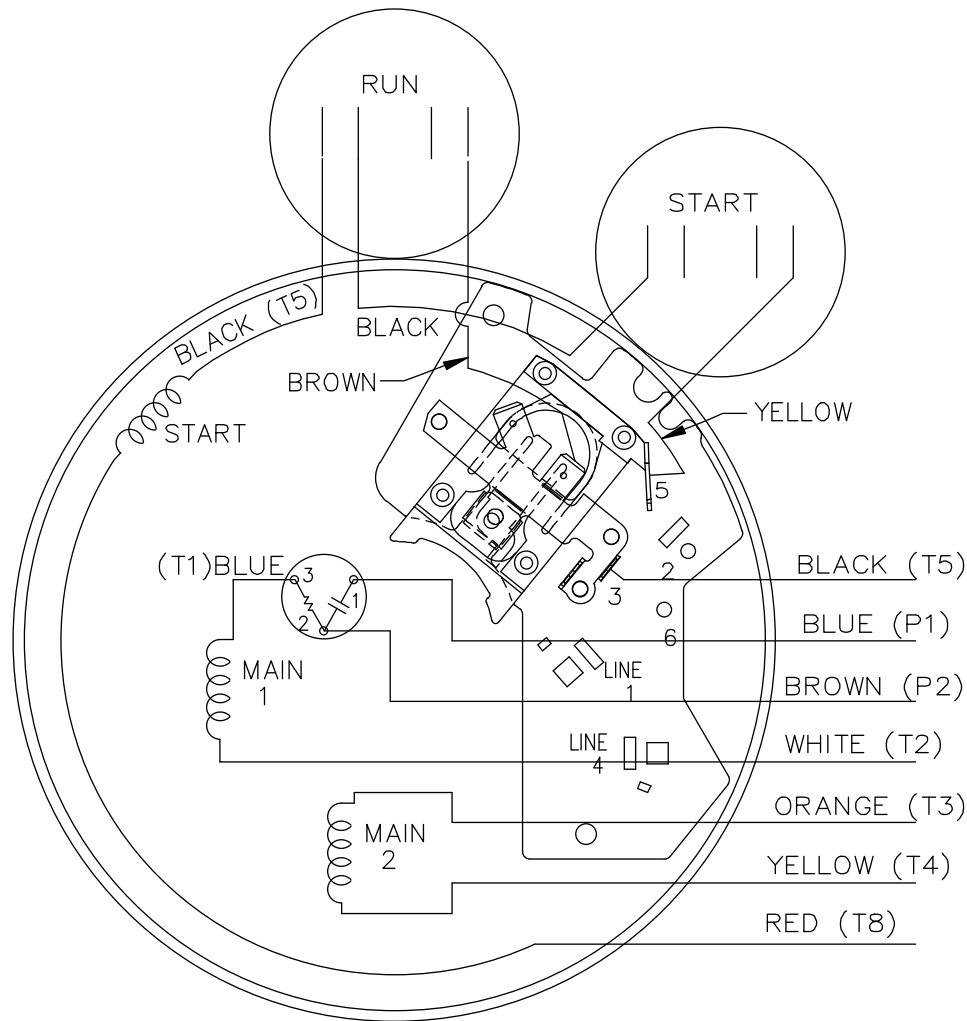
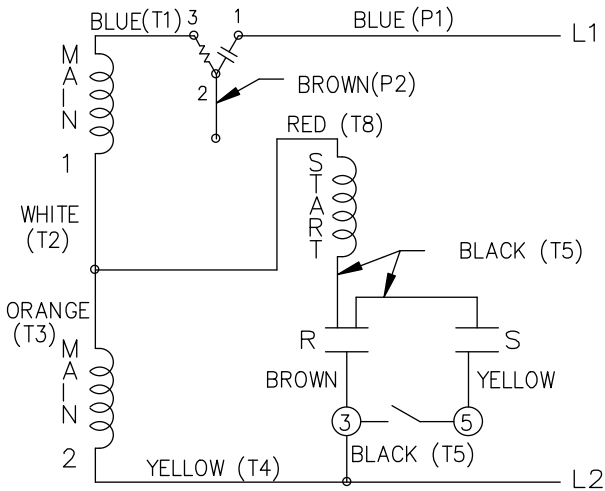
DASH	C	DASH	C
606	9.94	806	11.94
656	10.44		
706	10.94		
756	11.44		

				TOLERANCES UNLESS SPECIFIED		 Regal Beloit America, Inc.	DRAWN PST 11/12/2013			
				DEC.	INCHES		CHK SM 11/12/2013	APPD		
				.X	±.1	TITLE OUTLINE 56 FR. - TENV - BB	SCALE 1:1			
				.XX	±.03		REF	FMF A009581.00		
				.XXX	±.005		PREV			
B	CHANGED LOGO TO REGAL			SL	14/15/16	PVR	.XXXX	±.0005	MAT'L.	
NO.	REVISION			BY & DATE	CHK	ANG	±7'30"		FINISH	
THIS DRAWING IN DESIGN AND DETAIL IS OUR PROPERTY AND MUST NOT BE USED EXCEPT IN CONNECTION WITH OUR WORK ALL RIGHTS OF DESIGN AND INVENTION ARE RESERVED THIS IS AN ELECTRONICALLY GENERATED DOCUMENT - DO NOT SCALE THIS PRINT				RFP	CAD FILE 108128			SIZE	DRAWING NO. PAGE OF	REV.
				DIST	WP-LE			A	108128	B

LOW VOLTAGE C.C.W.



HIGH VOLTAGE C.C.W.

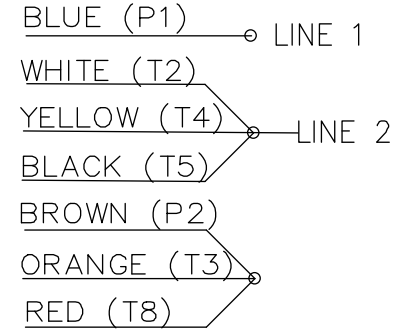


NOTE: USE P & T TERMINALS WHEN CALLED IN BOM

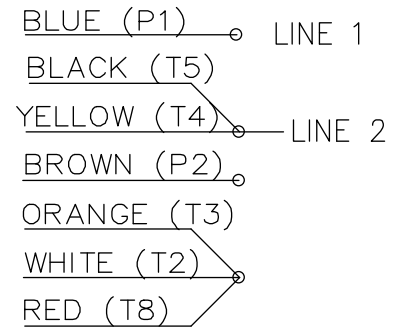
102006-85LE

DUAL VOLTAGE
CAP. START-CAP. RUN
OVERLOAD SELECT
ROTATION.


LOW VOLT. CCW ROT.



HIGH VOLT. CCW ROT.



FOR CW ROT. EITHER
VOLTAGE INTERCHANGE
RED(T8) WITH BLACK(T5) LEAD.

		TOLERANCES UNLESS SPECIFIED		 ELECTRIC MOTORS GEARMOTORS AND DRIVES	DRAWN	VS 1/28/10					
		DEC.	INCHES		CHK						
		.X	±.1		APPD	VS 1/28/10					
		.XX	±.02		SCALE	5=8					
		.XXX	±.005		REF	102006-85					
01	ADDED P & T TERMINALS	UD	09/27/13	SKM	.XXXX	±.0005	MAT'L.	FMF			
NO.	REVISION	BY & DATE	CHK	ANG	±7'30"	FINISH		PREV			
THIS DRAWING IN DESIGN AND DETAIL IS OUR PROPERTY AND MUST NOT BE USED EXCEPT IN CONNECTION WITH OUR WORK ALL RIGHTS OF DESIGN AND INVENTION ARE RESERVED THIS IS AN ELECTRONICALLY GENERATED DOCUMENT - DO NOT SCALE THIS PRINT				RFP	CAD FILE	102006-85LE	SIZE	DRAWING NO.	PAGE	OF	REV.
				DIST	WP		A	102006-85LE			01



LEESON ELECTRIC CORPORATION
 TYPICAL PERFORMANCE CURVE for AC MOTOR

Model No A009581.00

Catalog No A009581.00

Curve at 230
60
0.75

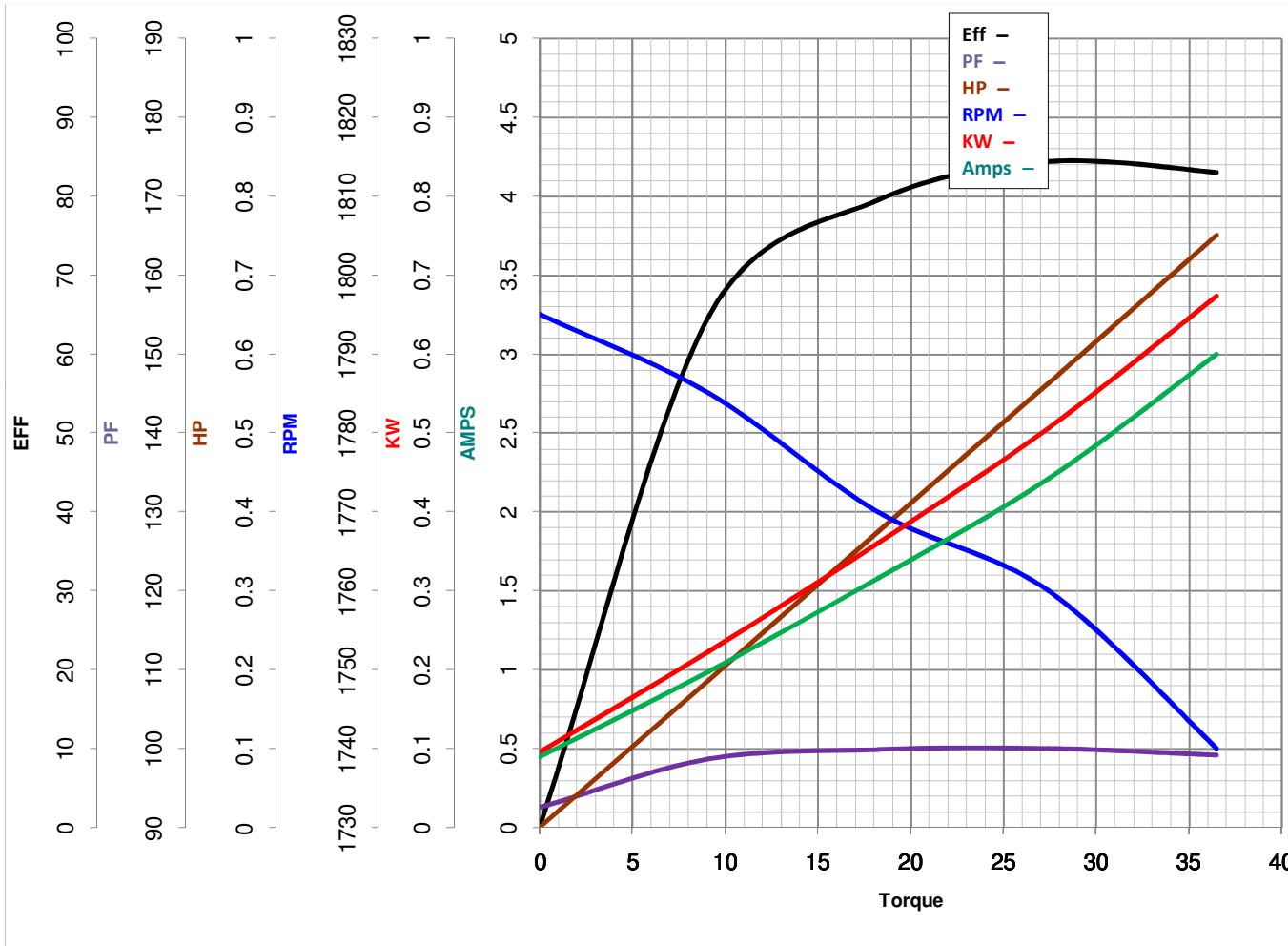
Volts
 HZ
 HP

HP 0.76
 VOLTS 115/230

PHASE 1

HZ 60

RPM 1725



Torque in Oz.Ft

FL TORQUE 36.52 Oz.Ft
 BD TORQUE 70.0 Oz.Ft
 LR TORQUE 52 Oz.Ft

FL AMPS 43.254
 PU TORQUE 52.0 Oz.Ft
 LR AMPS 15.2

WINDING ZB4189-3

Date 3/26/2018