

PRODUCT INFORMATION PACKET



Model No: 131995.00
Catalog No: 131995.00
5 HP Agricultural Motor, 1 phase, 1800 RPM, 230 V, 184TC Frame, TEFC
Agricultural Motors



Regal and Leeson are trademarks of Regal Rexnord Corporation or one of its affiliated companies.
©2021 Regal Rexnord Corporation, All Rights Reserved. MC017097E





Nameplate Specifications

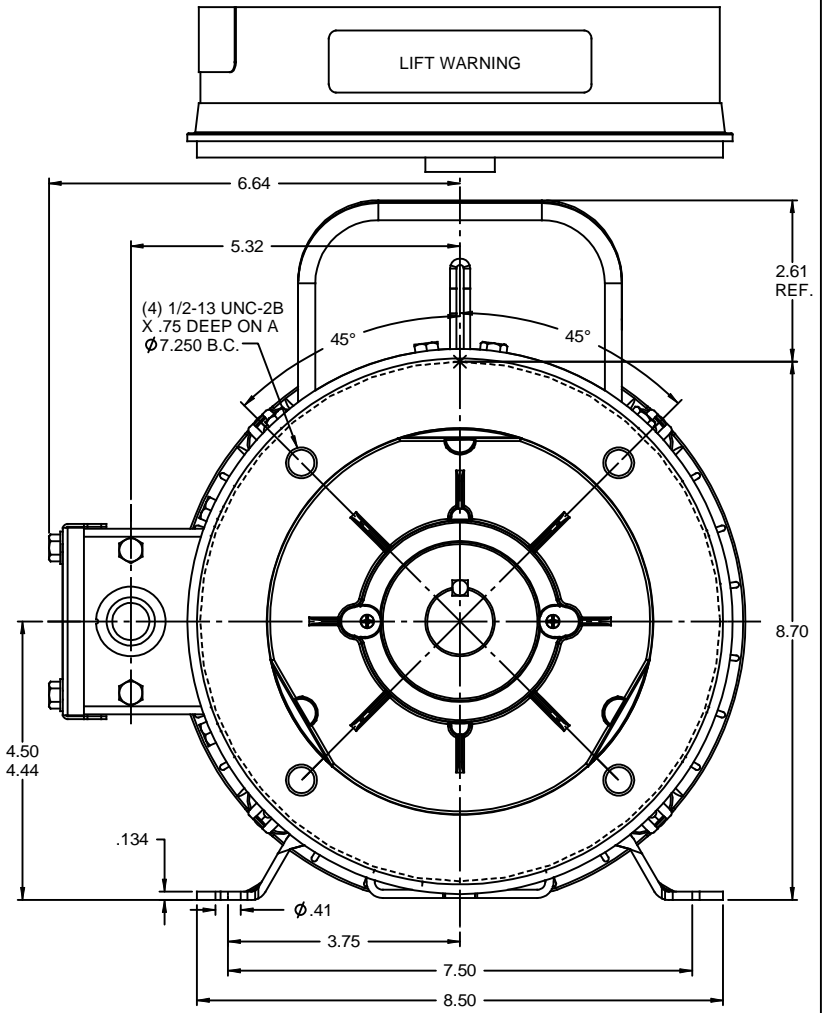
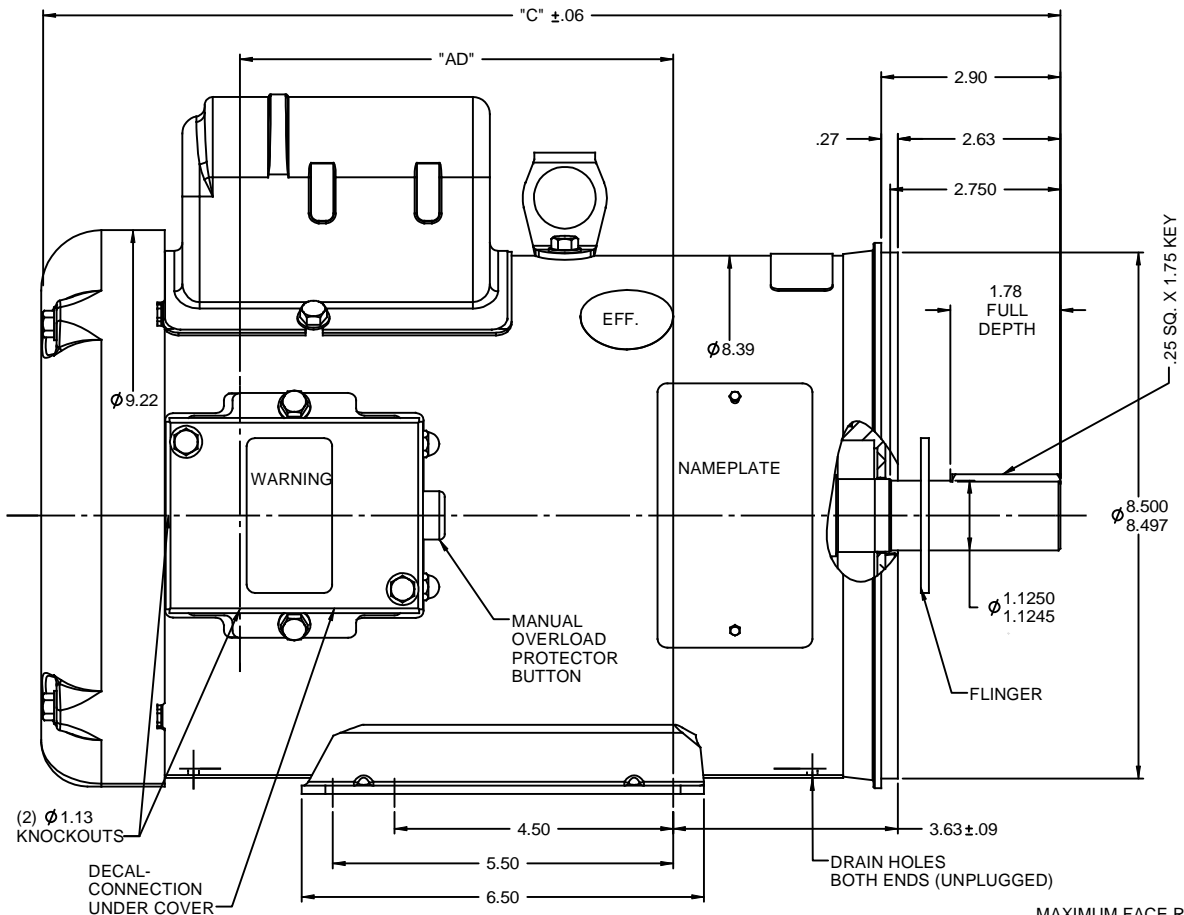
Output HP	5 Hp	Output KW	3.7 kW
Frequency	60 Hz	Voltage	230 V
Current	20.5 A	Speed	1740 rpm
Service Factor	1.15	Phase	1
Efficiency	82.5 %	Power Factor	93
Duty	Continuous	Insulation Class	F
Design Code	L	KVA Code	H
Frame	184TC	Enclosure	Totally Enclosed Fan Cooled
Thermal Protection	Manual	Ambient Temperature	40 °C
Drive End Bearing Size	6206	Opp Drive End Bearing Size	6205
UL	Recognized	CSA	Y
CE	N	IP Code	43
Number of Speeds	1		

Technical Specifications

Electrical Type	Capacitor Start Capacitor Run	Starting Method	Across The Line
Poles	4	Rotation	Selective Counterclockwise
Resistance Main	.47 Ohms	Mounting	Rigid Base
Motor Orientation	Horizontal	Drive End Bearing	Ball
Opp Drive End Bearing	Ball	Frame Material	Rolled Steel
Shaft Type	T	Overall Length	17.47 in
Frame Length	12.00 in	Shaft Diameter	1.125 in
Shaft Extension	2.75 in	Assembly/Box Mounting	F1 ONLY
Outline Drawing	035483-1200	Connection Drawing	005056.03

This is an uncontrolled document once printed or downloaded and is subject to change without notice. Date Created:10/07/2021

RBC PROPRIETARY AND CONFIDENTIAL INFORMATION
 This document is the property of REGAL BELOIT CORPORATION ("RBC") including its subsidiaries and divisions and contains proprietary information of RBC. This document is loaned on the express condition that neither it nor the information contained therein shall be disclosed to others without the express written consent of RBC, and that the information shall be used by the recipient only as approved expressly by RBC. This document shall be returned to RBC upon its request. This document may be subject to certain restrictions under U.S. export control laws and regulations.



MAXIMUM FACE RUNOUT TO BE .004 T.I.R.
 MAXIMUM PILOT ECCENTRICITY TO BE .004 T.I.R.
 PERMISSIBLE SHAFT RUNOUT TO BE .002 T.I.R.

MOTOR SPECIAL FEATURES
 DRAIN HOLES IN FRAME (UNPLUGGED)
 MANUAL RESET OVERLOAD PROTECTOR
 FLINGER
 GASKETS THROUGHOUT

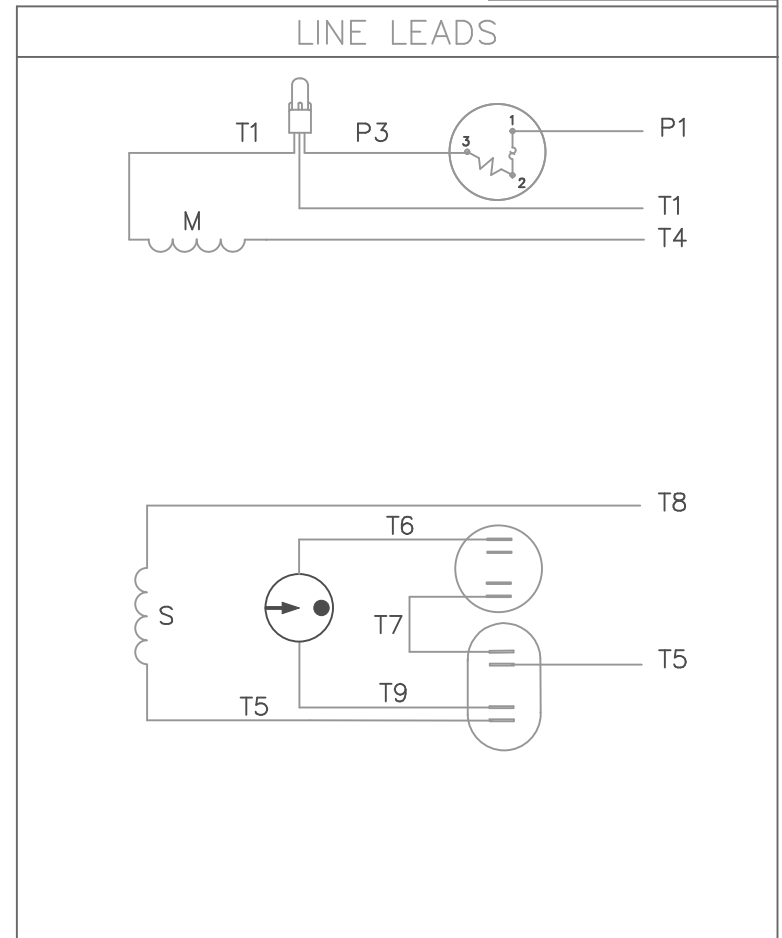
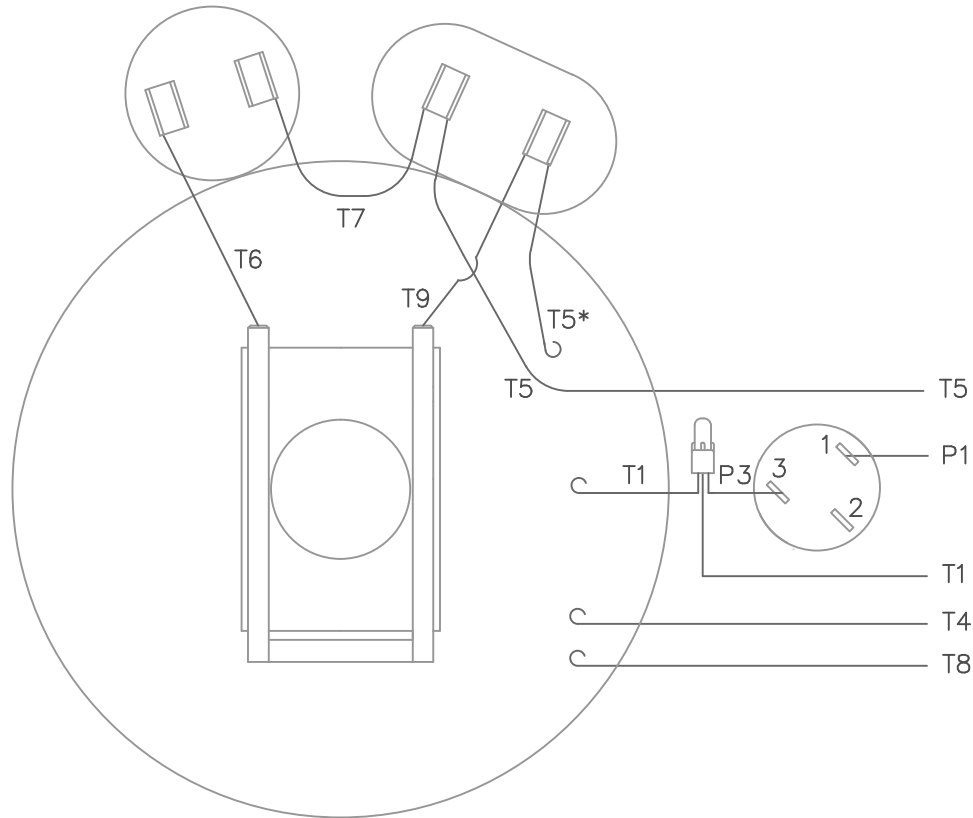
DASH NO.	"C"	"AD"
850	13.97	4.50
900	14.47	5.00
950	14.97	5.50
1000	15.47	6.00
1050	15.97	6.50
1100	16.47	7.00
1150	16.97	7.50
1200	17.47	8.00

REVISION		BY & DATE	CHK	ANG	FINISH	SIZE	DRAWING NO	REV
- UPDATED & REDRAWN IN SOLIDWORKS		LST 11/12/2009	XX	XXXX	MATL FARM DUTY	B	035483	-
THIRD ANGLE PROJECTION								
TOLERANCES UNLESS SPECIFIED								
X INCHES								
.XX ±.03								
.XXX ±.005								
.XXXX ±.0005								
RFP								
NETWORK FILE NAME								
DRAWN LST 2/27/04								
CHK RW 2/27/04								
APPR KH 2/27/04								
SCALE 1:2								
REF								
FMF								
PAGE OF								




TITLE OUTLINE - 180TC FRAME
 TEFC - RIGID "C"

VIEW FROM OUTSIDE OF MOTOR AT SWITCH END.



ROTATION FACING LEAD END	L1	L2	JOIN
C.C.W.	P1	T4, T5	T1, T8
C.W.	P1	T4, T8	T1, T5

* THIS LEAD MAY BE WHITE

			TOLERANCES UNLESS SPECIFIED		 ELECTRIC MOTORS GEARMOTORS AND DRIVES	DRAWN WLW 08/30/76
			DEC.	INCHES		CHK WRK 09/24/76
			.X	±.1		APPD
08	ALTERNATE T5 LEAD MARKING WAS RED	RLW 8/6/02	.XX	±.01	TITLE	SCALE 1=1
07	ADDED ALTERNATE T5 LEAD MARKING	RLW 5/31/02	KH	±.005	EXTERNAL WIRING DIAGRAM TYPE "K" W/ PROTECTOR	REF
06	REDRAWN TO CAD	DBT 5/31/02		±.0005	MAT'L. DECAL - 004015	FMF 6K17FB4
NO.	REVISION	BY & DATE	CHK	ANG ±1/2'	FINISH	PREV
THIS DRAWING IN DESIGN AND DETAIL IS OUR PROPERTY AND MUST NOT BE USED EXCEPT IN CONNECTION WITH OUR WORK ALL RIGHTS OF DESIGN AND INVENTION ARE RESERVED THIS IS AN ELECTRONICALLY GENERATED DOCUMENT - DO NOT SCALE THIS PRINT			RFP		CAD FILE 00505603	SIZE DRAWING NO.
			DIST BRF-NLV			A 005056-03
						REV. 08



CERTIFICATION DATA SHEET

**1051 CHEYENNE AVE.
GRAFTON, WI 53024
PH. 262-377-8810**

CONN. DIAGRAM: 005056.03

CATALOG #: 131995.00

OUTLINE: 035483-1200

MOUNTING: F1 ONLY

WINDING #: K8483 FR 2 B

TYPICAL MOTOR PERFORMANCE DATA

HP	kW	SYNC. RPM	F.L. RPM	FRAME	ENCLOSURE	KVA CODE	DESIGN
5	3.70	1800	1740	184TC	TEFC	H	L

PH	Hz	VOLTS	AMPS	START TYPE	DUTY	INSL	S.F.	AMB°C
1	60	230	20.5	ACROSS THE LINE	CONTINUOUS	F4	1.15	40

FULL LOAD EFF:	82.5	3/4 LOAD EFF:	82.4	1/2 LOAD EFF:	77.9	GTD. EFF		ELEC. TYPE	
FULL LOAD PF:	93	3/4 LOAD PF:	94.4	1/2 LOAD PF:	92.1	80		CAP START CAP RUN	

F.L. TORQUE	LOCKED ROTOR AMPS	L.R. TORQUE	B.D. TORQUE	F.L. RISE°C
15 LB-FT	150	43.5 LB-FT 290 %	35.5 LB-FT 237 %	85

SOUND PRESSURE @ 3 FT.	SOUND POWER	ROTOR WK^2	MAX. WK^2	SAFE STALL TIME	STARTS / HOUR	APPROX. MOTOR WGT
0 dBA	10 dBA	0.61 LB-FT^2	0 LB-FT^2	0 SEC.	0	100 LBS.

***** SUPPLEMENTAL INFORMATION *****

DE BRACKET TYPE	ODE BRACKET TYPE	MOUNT TYPE	ORIENTATION	SEVERE DUTY	HAZARDOUS LOCATION	DRIP COVER	SCREENS	PAINT
C-FACE	STANDARD	RIGID	HORIZONTAL	FALSE	NONE	FALSE	NONE	RED - LEESON FARM DUTY

BEARINGS		GREASE	SHAFT TYPE	SPECIAL DE	SPECIAL ODE	SHAFT MATERIAL	FRAME MATERIAL
DE	ODE						
BALL	BALL	POLYREX EM	T	NONE	NONE	AISI 1045 (C-240)	ROLLED STEEL
6206	6205						

THERMO-PROTECTORS				THERMISTORS	CONTROL	SPACE HEATERS
THERMOSTATS	PROTECTORS	WDG RTDs	BRG RTDs			
NONE	MANUAL	NONE	NONE	NONE	FALSE	NONE VOLTS

*
N
O
T
E
S

INVERTER TORQUE: NONE
INV. HP SPEED RANGE: NONE
ENCODER: NONE
NONE NONE
NONE NONE PPR
BRAKE: NONE NONE
NONE P/N NONE
NONE NONE
NONE FT-LB NONE V NONE Hz

