

PRODUCT INFORMATION PACKET

Model No: A099462.00
Catalog No: A099462.00
0.50 HP Agricultural Motor, 1 phase, 1200 RPM, 115/230 V, 48Z Frame, TEAO



Regal and are trademarks of Regal Rexnord Corporation or one of its affiliated companies.
©2022 Regal Rexnord Corporation, All Rights Reserved. MC017097E

Nameplate Specifications

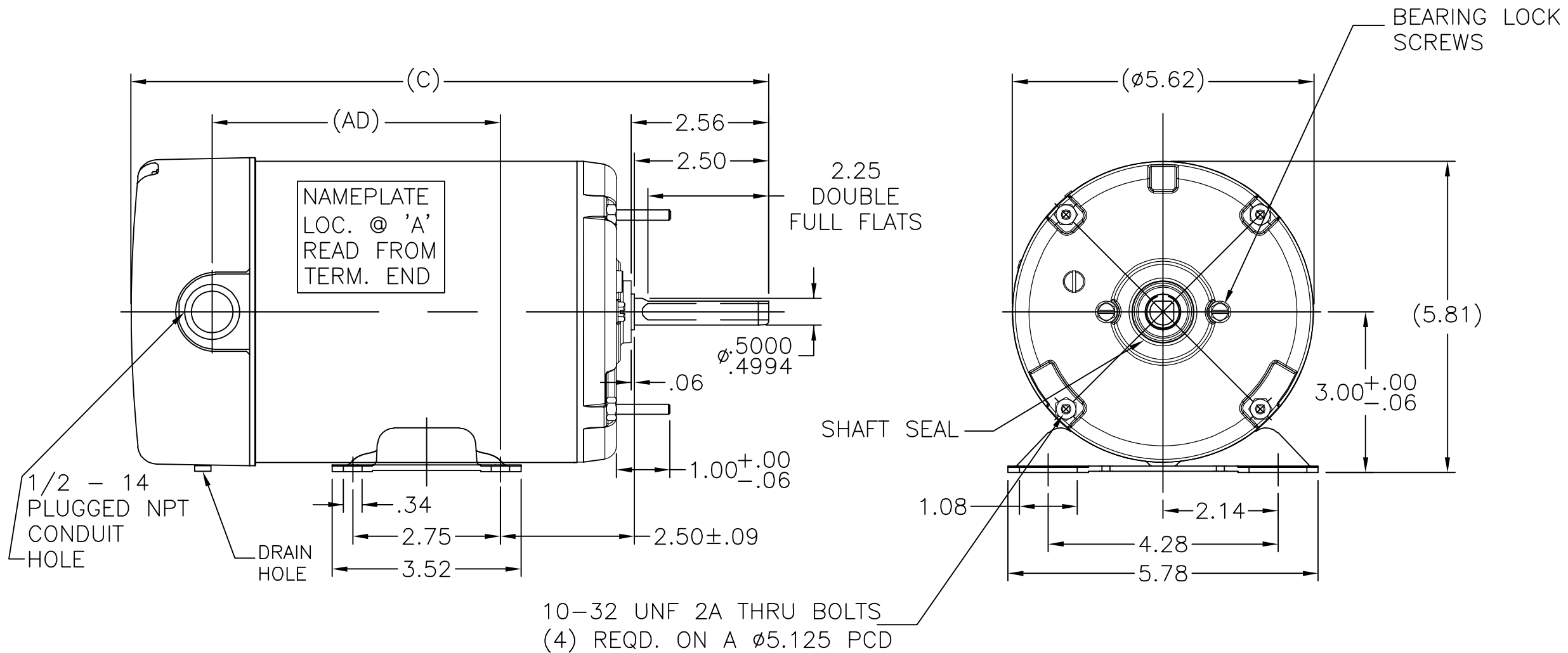
Output HP	0.50 Hp	Output KW	0.37 kW
Frequency	60 Hz	Voltage	115/230 V
Current	5.5/2.8 A	Speed	1075 rpm
Service Factor	1	Phase	1
Efficiency	68.9 %	Power Factor	85.7
Duty	Continuous	Insulation Class	F
Design Code	N	KVA Code	D
Frame	48Z	Enclosure	Totally Enclosed Air Over
Thermal Protection	Automatic	Ambient Temperature	40 °C
Drive End Bearing Size	6203	Opp Drive End Bearing Size	6203
UL	Recognized	CSA	Y
CE	N	IP Code	43
Number of Speeds	1		

Technical Specifications


Electrical Type	Permanent Split Capacitor	Starting Method	Across The Line
Poles	6	Rotation	Selective Counterclockwise
Resistance Main	6.44 Ohms	Mounting	Rigid Base
Motor Orientation	Horizontal	Drive End Bearing	Ball
Opp Drive End Bearing	Ball	Frame Material	Rolled Steel
Shaft Type	Single Special Extension	Overall Length	10.89 in
Frame Length	5.50 in	Shaft Diameter	0.500 in
Shaft Extension	2.24 in	Assembly/Box Mounting	F1 ONLY
Connection Drawing	005109-15	Outline Drawing	SS404060-550

This is an uncontrolled document once printed or downloaded and is subject to change without notice. Date Created:06/08/2022

SS404060




DASH NO.	"C"	"AD"
475	10.64	4.12
500	10.89	4.37
525	11.14	4.62
550	11.39	4.87
600	11.89	5.37

		TOLERANCES UNLESS SPECIFIED		 ELECTRIC MOTORS GEARMOTORS AND DRIVES	DRAWN KR 02/05/2014		
		DEC.	INCHES		CHK VS 02/05/2014	APPD	
		.X	±.1		SCALE 1:1		
		.XX	±.03		REF OLPR132173		
			.XXX	±.005	FMF A099899.00		
A		UPDATED NAMEPLATE LOCATION PER ECO-0062305	PST 12/5/14	PI	.XXXX	±.0005	PREV
NO.		REVISION	BY & DATE	CHK	ANG	±7'30"	
THIS DRAWING IN DESIGN AND DETAIL IS OUR PROPERTY AND MUST NOT BE USED EXCEPT IN CONNECTION WITH OUR WORK ALL RIGHTS OF DESIGN AND INVENTION ARE RESERVED THIS IS AN ELECTRONICALLY GENERATED DOCUMENT - DO NOT SCALE THIS PRINT				RFP	CAD FILE SS404060		SIZE
				DIST	WP		DRAWING NO. PAGE OF REV.
							A SS404060 A

VIEW FROM OUTSIDE OF MOTOR AT SWITCH END.



	ROTATION FACING LEAD END	L1	L2	JOIN	INSULATE SEPARATELY
HIGH VOLT	C.C.W.	P1	T4 T5	T2, T3 T8	P2
	C.W.	P1	T4 T8	T2, T3 T5	P2
LOW VOLT	C.C.W.	P1	T2, T4 T5	P2, T3 T8	--
	C.W.	P1	T2, T4 T8	P2, T3 T5	--

		TOLERANCES UNLESS SPECIFIED		 ELECTRIC MOTORS GEARMOTORS AND DRIVES		DRAWN PG 3/4/02		
		DEC.	INCHES			CHK		
		.X	±.1			APPD		
		.XX	±.01			SCALE 1=1		
		.XXX	±.005			REF 005109-01		
		.XXXX	±.0005	MAT'L. DECAL - 004011		FMF 102675		
NO.	REVISION	BY & DATE	CHK	ANG	±1/2'	FINISH	PREV	
THIS DRAWING IN DESIGN AND DETAIL IS OUR PROPERTY AND MUST NOT BE USED EXCEPT IN CONNECTION WITH OUR WORK ALL RIGHTS OF DESIGN AND INVENTION ARE RESERVED THIS IS AN ELECTRONICALLY GENERATED DOCUMENT - DO NOT SCALE THIS PRINT			RFP	CAD FILE 00510915		SIZE A	DRAWING NO. 005109-15	REV.
			DIST					



**1051 CHEYENNE AVE.
GRAFTON, WI 53024
PH. 262-377-8810**

CERTIFICATION DATA SHEET

CONN. DIAGRAM: A-005109-15

CATALOG #: A099462.00

OUTLINE: A-SS404060-550

MOUNTING: F1 ONLY

WINDING #: PE4862006 3 C

TYPICAL MOTOR PERFORMANCE DATA

HP	kW	SYNC. RPM	F.L. RPM	FRAME	ENCLOSURE	KVA CODE	DESIGN
1/2	0.37	1200	1075	48Z	TEAO	D	N

PH	Hz	VOLTS	AMPS	START TYPE	DUTY	INSL	S.F.	AMB°C
1	60	115/230	5.5/2.75	ACROSS THE LINE	CONTINUOUS	F3	1.0	40

FULL LOAD EFF:	68.9	3/4 LOAD EFF:	65.3	1/2 LOAD EFF:	55.8	GTD. EFF		ELEC. TYPE	
FULL LOAD PF:	85.7	3/4 LOAD PF:	80.7	1/2 LOAD PF:	71.7	64		PSC 1 SPEED	

F.L. TORQUE	LOCKED ROTOR AMPS	L.R. TORQUE	B.D. TORQUE	F.L. RISE°C
37 OZ-FT	38 / 19	19 OZ-FT 53 %	72 OZ-FT 200 %	114.4

SOUND PRESSURE @ 3 FT.	SOUND POWER	ROTOR WK^2	MAX. WK^2	SAFE STALL TIME	STARTS / HOUR	APPROX. MOTOR WGT
0 dBA	10 dBA	0.063 LB-FT^2	0.1 LB-FT^2	0 SEC.	0	21 LBS.

***** SUPPLEMENTAL INFORMATION *****

DE BRACKET TYPE	ODE BRACKET TYPE	MOUNT TYPE	ORIENTATION	SEVERE DUTY	HAZARDOUS LOCATION	DRIP COVER	SCREENS	PAINT
STANDARD	STANDARD	RIGID	HORIZONTAL	FALSE	NONE	FALSE	NONE	GRAY (POWDER)

BEARINGS		GREASE	SHAFT TYPE	SPECIAL DE	SPECIAL ODE	SHAFT MATERIAL	FRAME MATERIAL
DE	ODE						
BALL	BALL	POLYREX EM	SGL SPL EXT	0.500 x 2.50 IN SEF WITH 2.25 IN DOUBLE FULL FLAT	NONE	1144 STRESSPROOF (C-223)	ROLLED STEEL
6203	6203						

THERMO-PROTECTORS				THERMISTORS	CONTROL	SPACE HEATERS
THERMOSTATS	PROTECTORS	WDG RTDs	BRG RTDs			
NONE	AUT LCK RTR ONLY	NONE	NONE	NONE	FALSE	NONE VOLTS

*
N
O
T
E
S

INVERTER TORQUE: NONE
INV. HP SPEED RANGE: NONE
ENCODER: NONE
NONE NONE
NONE NONE PPR
BRAKE: NONE NONE
NONE P/N NONE
NONE NONE
NONE FT-LB NONE V NONE HZ

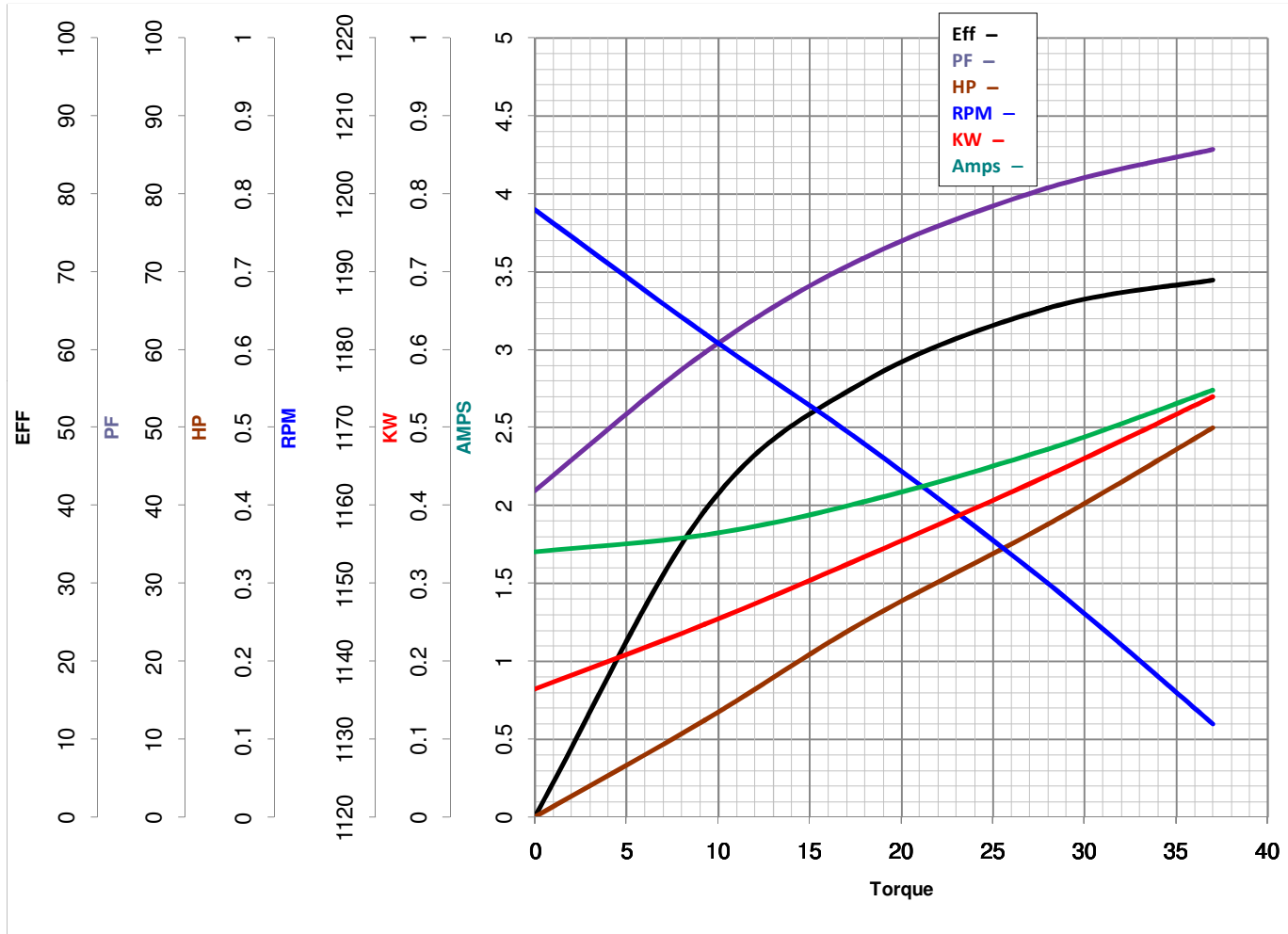


LEESON ELECTRIC CORPORATION
TYPICAL PERFORMANCE CURVE for AC MOTOR

Model No A099462.00

Catalog No A099462.00

Curve at 230 Volts HP 0.50 PHASE 1
60 HZ
0.5 HP VOLTS 115/230
HZ 60 RPM 1075



Torque in Oz.Ft

FL TORQUE 37 Oz.Ft
 BD TORQUE 72.0 Oz.Ft
 LR TORQUE 19 Oz.Ft

FL AMPS 5.5/2.75
 PU TORQUE 17.0 Oz.Ft
 LR AMPS 19

WINDING PE4862006-3

Date 4/23/2018