

PRODUCT INFORMATION PACKET

Model No: LM24787

Catalog No: LM24787

1.50 HP Agricultural Motor, 1 phase, 3600 RPM, 115/230 V, 143TZ Frame, TEAO



Regal and are trademarks of Regal Rexnord Corporation or one of its affiliated companies.
©2022 Regal Rexnord Corporation, All Rights Reserved. MC017097E

Nameplate Specifications

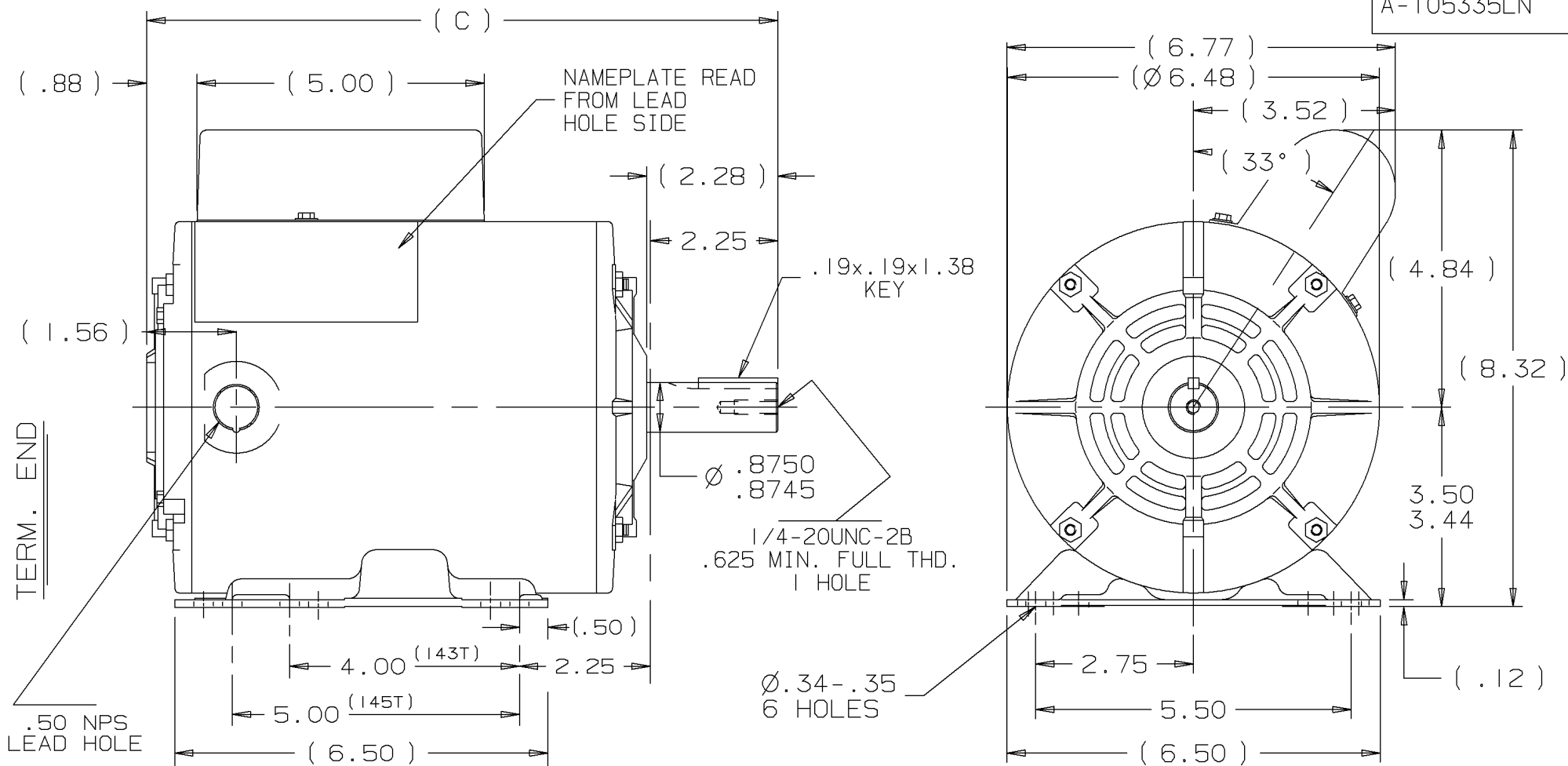
Output HP	1.50 Hp	Output KW	1.1 kW
Frequency	60 Hz	Voltage	115/230 V
Current	16.8/8.4 A	Speed	3475 rpm
Service Factor	1	Phase	1
Efficiency	70 %	Power Factor	79
Duty	Continuous	Insulation Class	F
Design Code	NO DESIGN CODE	KVA Code	H
Frame	143T	Enclosure	Totally Enclosed Air Over
Thermal Protection	Automatic	Ambient Temperature	40 °C
Drive End Bearing Size	205	Opp Drive End Bearing Size	203
UL	Recognized (Not Protector)	CSA	Y
CE	N	IP Code	43
Number of Speeds	1		

Technical Specifications

Electrical Type	Capacitor Start Induction Run	Starting Method	Across The Line
Poles	2	Rotation	Selective Counterclockwise
Resistance Main	0 Ohms	Mounting	Rigid Base
Motor Orientation	Horizontal	Drive End Bearing	Ball
Opp Drive End Bearing	Ball	Frame Material	Rolled Steel
Shaft Type	T	Overall Length	11.49 in
Frame Length	7.56 in	Shaft Diameter	0.875 in
Shaft Extension	2.25 in	Assembly/Box Mounting	F1 ONLY
Outline Drawing	105335LN-756	Connection Drawing	102005-2-LN

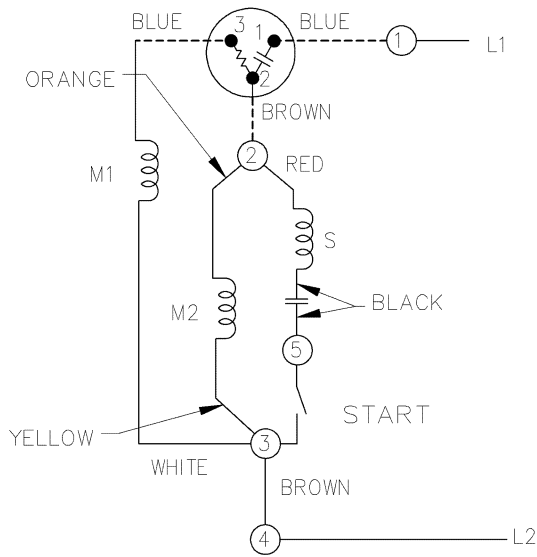
This is an uncontrolled document once printed or downloaded and is subject to change without notice. Date Created:08/03/2022

A-105335LN

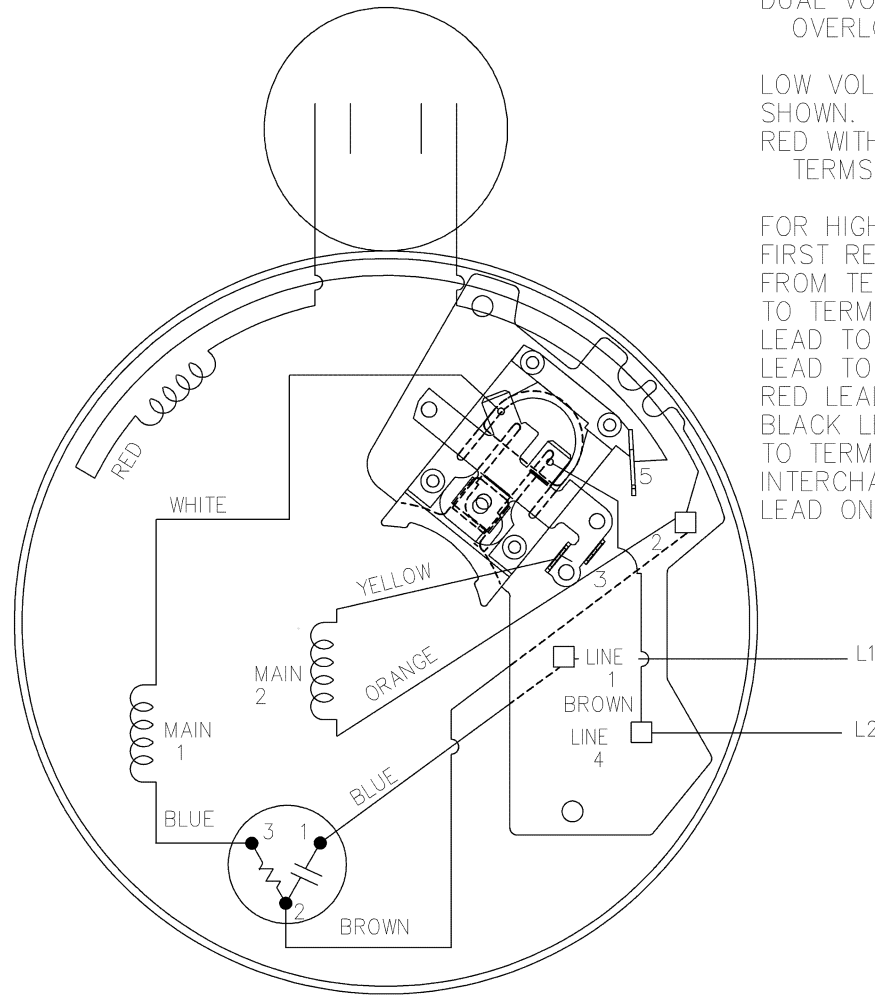
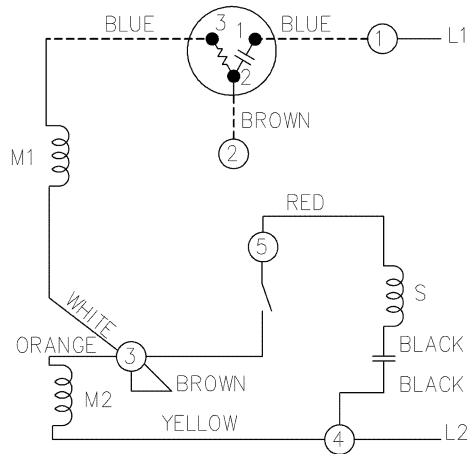


DASH	FR.	C			DASH	FR.	C		
					856	140T	12.49		
756	140T	11.49			906	"	12.99		
806	"	11.99			956	"	13.49		

						TOLERANCES UNLESS SPECIFIED		Lincoln MOTORS		DRAWN MSG 03-08-2002		
						DEC.	TOLERANCE			CHK	DRS 03-11-2002	
						.X	± .1			APPD	SAS 03-11-2002	
						.XX	± .03	TITLE OUTLINE		SCALE		
						.XXX	± .005	140 FR. - TENV - BB		REF		
1	NEW DRAWING	MU40642		MSG	03-11-02	SAS	.XXXX ± .0005	✓ SURFACE ROUGHNESS UNLESS SPECIFIED	MAT'L.		FMF	
NO.	REVISION			BY	DATE	CHK	ANG ± 7'30"	FINISH			PREV	
THIS DRAWING IN DESIGN AND DETAIL IS OUR PROPERTY AND MUST NOT BE USED EXCEPT IN CONNECTION WITH OUR WORK. ALL RIGHTS OF DESIGN AND INVENTION ARE RESERVED. THIS IS AN ELECTRONICALLY GENERATED DOCUMENT - DO NOT SCALE THIS PRINT				PURCHASED		CAD FILE 105335LN		SHOP BOOK		SIZE	DRAWING NO.	REV.
				DIST WA - LB - WP - LM - BR - BY						A	105335LN	



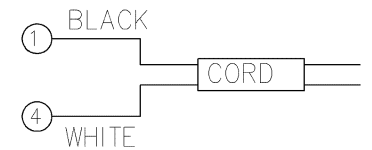
HIGH VOLTAGE - C.C.W.



DUAL VOLTAGE CAPACITOR START OVERLOAD SELECT ROT.

LOW VOLTAGE C.C.W. ROTATION SHOWN. TO REVERSE INTERCHANGE RED WITH BLACK LEAD ON TERMS 2 AND 5.

FOR HIGH VOLTAGE C.C.W. ROT. FIRST REMOVE BROWN JUMPER FROM TERM. 4 AND ATTACH TO TERM.3 AND CONNECT YELLOW LEAD TO TERM.4 AND ORANGE LEAD TO TERM 3. CONNECT RED LEAD TO TERM #5 AND BLACK LEAD FROM TERM #5 TO TERM #4. TO REVERSE INTERCHANGE RED WITH BLACK LEAD ON TERMS 5 AND 4.



CONNECTION FOR CORD

				TOLERANCES UNLESS SPECIFIED			DRAWNRJW 03-28-02008		
				DEC.	INCHES		CHK		
				X	±.1		APPD		
				XX	±.02		SCALE 5=8		
				XXX	±.005		REF		
				XXXX	±.0005	FMF			
NO.	REVISION	BY & DATE	CHK	ANG	±7'30"	PREV			
THIS DRAWING IN DESIGN AND DETAIL IS OUR PROPERTY AND MUST NOT BE USED EXCEPT IN CONNECTION WITH OUR WORK ALL RIGHTS OF DESIGN AND INVENTION ARE RESERVED THIS IS AN ELECTRONICALLY GENERATED DOCUMENT - DO NOT SCALE THIS PRINT				RFP	CAD FILE 102005-2-LN	SIZE A	DRAWING NO. L02005-2-LN	PAGE OF	REV.
				DIST WA					



2100 WASHINGTON ST.
GRAFTON, WI
PH. 262-277-8810

CERTIFICATION DATA SHEET

CONN. DIAGRAM: A-102005-2-LN
OUTLINE: A-105335LN-756
WINDING #: ZC212 3

CATALOG #: LM24787
MOUNTING: F1 ONLY

TYPICAL MOTOR PERFORMANCE DATA

HP	kW	SYNC. RPM	F.L. RPM	FRAME	ENCLOSURE	KVA CODE	DESIGN
1 1/2	1.12	3600	3475	143TZ	TEAO	H	NO DESIGN CODE

PH	Hz	VOLTS	AMPS	START TYPE	DUTY	INSL	S.F.	AMB°C
1	60	115/230	16.8/8.4	ACROSS THE LINE	CONTINUOUS	F3	1.0	40

FULL LOAD EFF:	70	3/4 LOAD EFF:	70	1/2 LOAD EFF:	64	GTD. EFF		ELEC. TYPE	
FULL LOAD PF:	79	3/4 LOAD PF:	73.5	1/2 LOAD PF:	64	0		CAP START IND RUN	

F.L. TORQUE	LOCKED ROTOR AMPS	L.R. TORQUE	B.D. TORQUE	F.L. RISE°C
2.25 LB-FT	94 / 47	5 LB-FT 0 %	5.5 LB-FT 0 %	0

SOUND PRESSURE @ 3 FT.	SOUND POWER	ROTOR WK^2	MAX. WK^2	SAFE STALL TIME	STARTS / HOUR	APPROX. MOTOR WGT
- dBA	- dBA	0 LB-FT^2	- LB-FT^2	- SEC.	-	35 LBS.

*** SUPPLEMENTAL INFORMATION ***

DE BRACKET TYPE	ODE BRACKET TYPE	MOUNT TYPE	ORIENTATION	SEVERE DUTY	HAZARDOUS LOCATION	DRIP COVER	SCREENS	PAINT
STANDARD	STANDARD	RIGID	HORIZONTAL	FALSE	NONE	FALSE	NONE	GRAY (POWDER)

BEARINGS		GREASE	SHAFT TYPE	SPECIAL DE	SPECIAL ODE	SHAFT MATERIAL	FRAME MATERIAL
DE	ODE						
BALL	BALL	POLYREX EM	SGL SPL EXT	T	NONE	1144 STRESSPROOF (C-223)	ROLLED STEEL
205	203						

THERMO-PROTECTORS				THERMISTORS	CONTROL	SPACE HEATERS
THERMOSTATS	PROTECTORS	WDG RTDs	BRG RTDs			
NONE	AUTOMATIC	NONE	NONE	NONE	FALSE	NONE VOLTS

*
N
O
T
E
S
*

INVERTER TORQUE: NONE
INV. HP SPEED RANGE: NONE
ENCODER: NONE NONE NONE NONE NONE PPR
BRAKE: NONE NONE NONE P/N NONE NONE NONE FT-LB NONE V NONE Hz



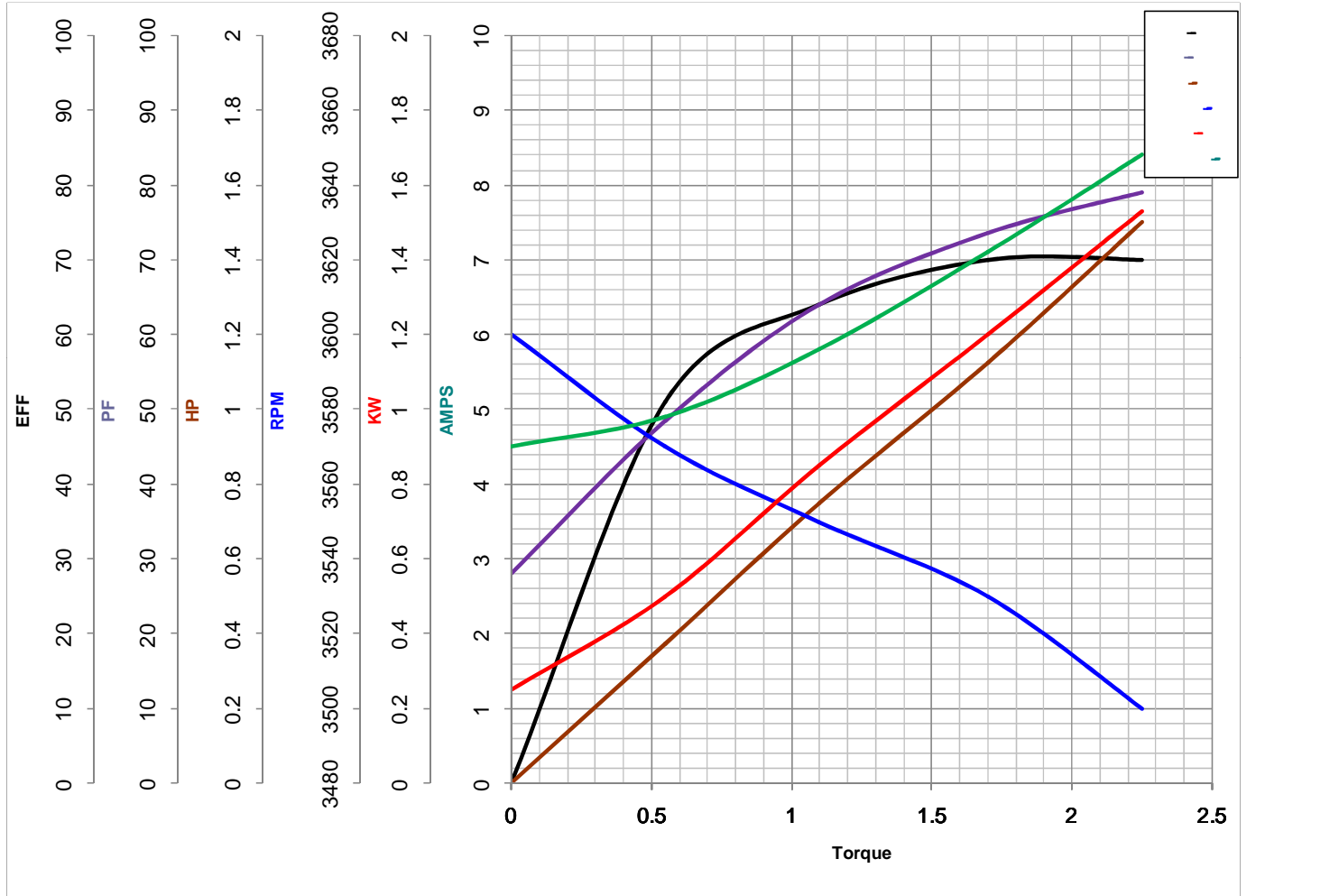
LEESON ELECTRIC CORPORATION
 TYPICAL PERFORMANCE CURVE for AC MOTOR

Model No LM24787

Curve at 230 Volts HP 1.50 PHASE 1
60 HZ
1.5 HP VOLTS 115/230

Catalog No LM24787BB

HZ 60 RPM 3475



Torque in Lb.Ft

FL TORQUE 2.25 Lb.Ft
 BD TORQUE 5.5 Lb.Ft
 LR TORQUE 5 Lb.Ft

FL AMPS 16.8/8.4
 PU TORQUE 4.5 Lb.Ft
 LR AMPS 47

WINDING ZC212-3

Date