

PRODUCT INFORMATION PACKET



Model No: 116488.00
Catalog No: 116488.00
1 HP Agricultural Motor, 1 phase, 1800 RPM, 115/208-230 V, 56C Frame, TEFC
Agricultural Motors



Regal and Leeson are trademarks of Regal Rexnord Corporation or one of its affiliated companies.
©2021 Regal Rexnord Corporation, All Rights Reserved. MC017097E





Nameplate Specifications

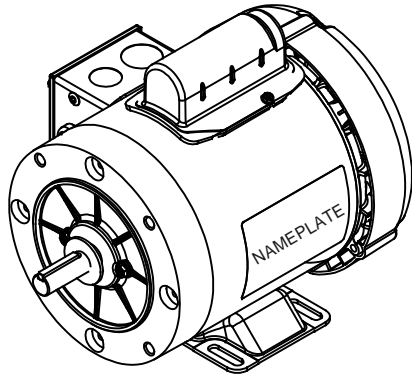
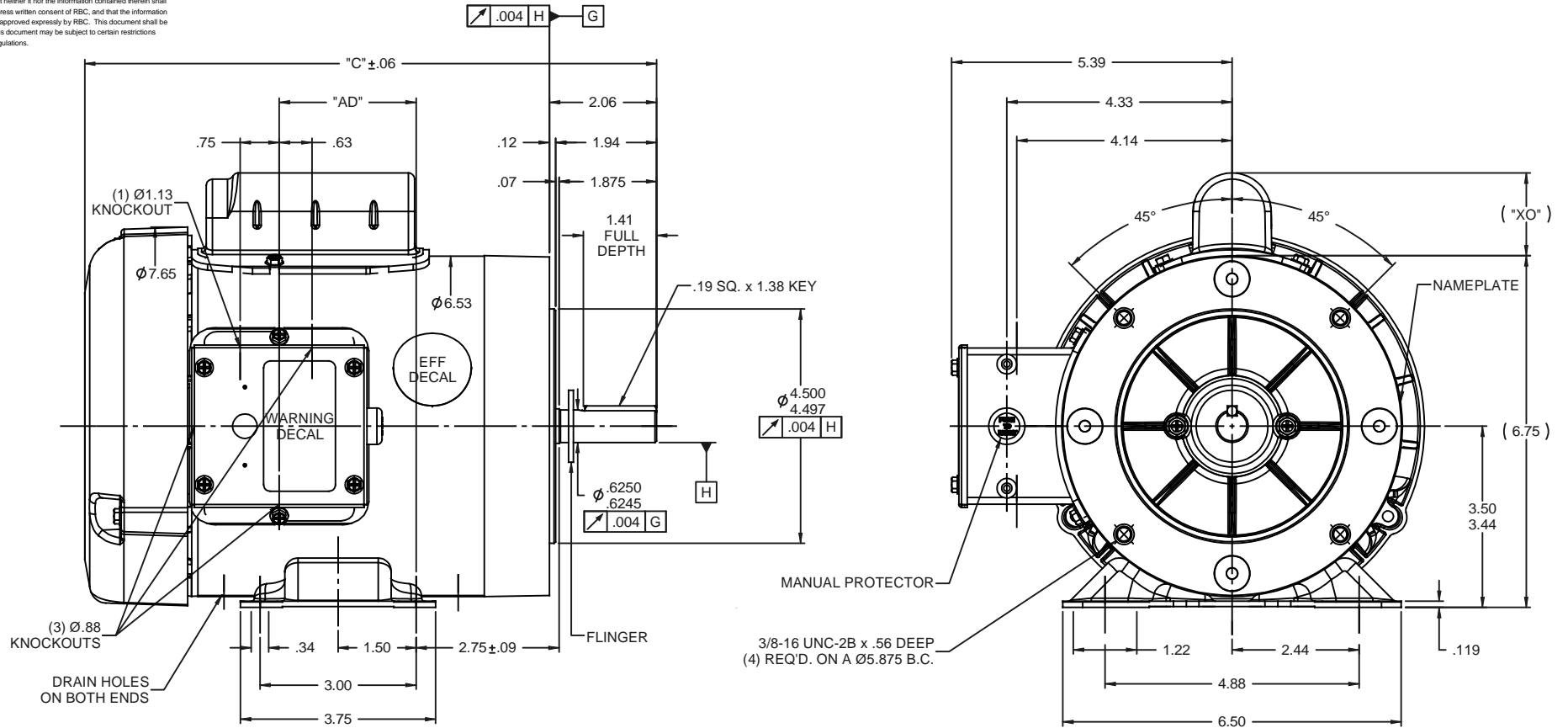
Output HP	1 Hp	Output KW	0.75 kW
Frequency	60 Hz	Voltage	115/208-230 V
Current	14.0/7.1-7.0 A	Speed	1725 rpm
Service Factor	1.15	Phase	1
Efficiency	74 %	Power Factor	63
Duty	Continuous	Insulation Class	F
Design Code	N	KVA Code	K
Frame	56C	Enclosure	Totally Enclosed Fan Cooled
Thermal Protection	Manual	Ambient Temperature	40 °C
Drive End Bearing Size	6203	Opp Drive End Bearing Size	6203
UL	Recognized	CSA	Y
CE	N	IP Code	43
Number of Speeds	1		

Technical Specifications

Electrical Type	Capacitor Start Induction Run	Starting Method	Across The Line
Poles	4	Rotation	Selective Counterclockwise
Resistance Main	1.8 Ohms	Mounting	Rigid Base
Motor Orientation	Horizontal	Drive End Bearing	Ball
Opp Drive End Bearing	Ball	Frame Material	Rolled Steel
Shaft Type	NEMA 56	Overall Length	11.99 in
Frame Length	6.50 in	Shaft Diameter	0.625 in
Shaft Extension	1.88 in	Assembly/Box Mounting	F1 ONLY
Connection Drawing	005003.03	Outline Drawing	028914-650B

This is an uncontrolled document once printed or downloaded and is subject to change without notice. Date Created:10/07/2021

RBC PROPRIETARY AND CONFIDENTIAL INFORMATION
 This document is the property of REGAL BELOIT CORPORATION ("RBC") including its subsidiaries and divisions and contains proprietary information of RBC. This document is loaned on the express condition that neither it nor the information contained therein shall be disclosed to others without the express written consent of RBC, and that the information shall be used by the recipient only as approved expressly by RBC. This document shall be returned to RBC upon its request. This document may be subject to certain restrictions under U.S. export control laws and regulations.

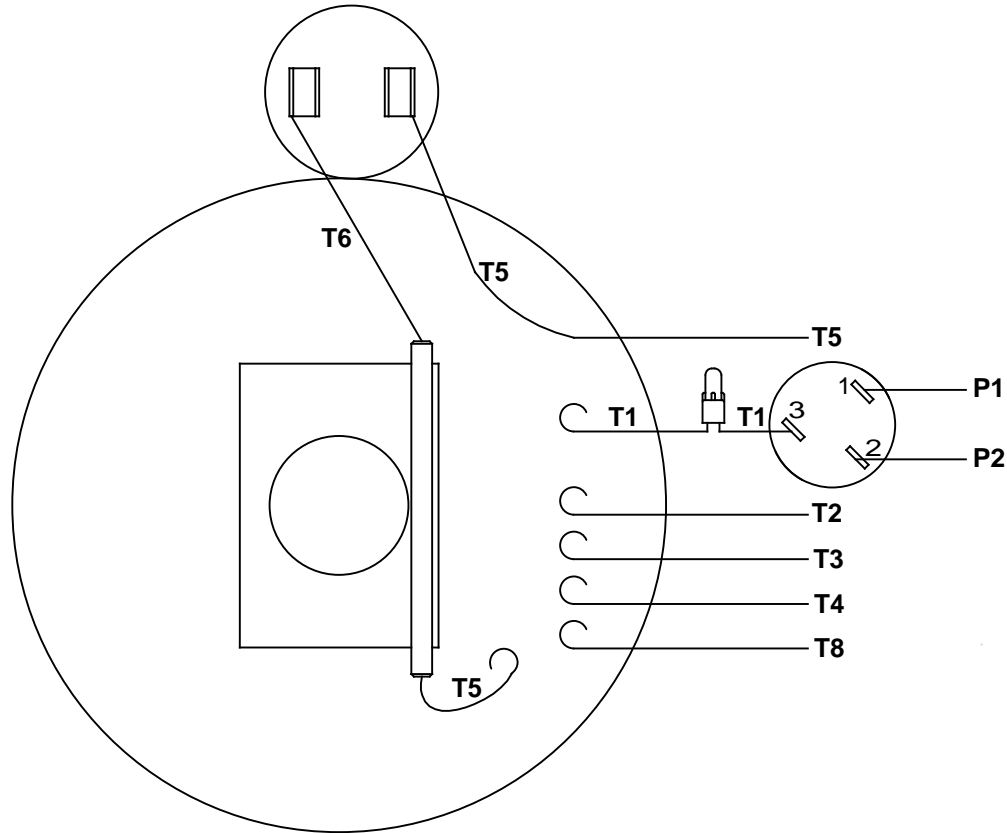


DASH NO.	"C"	"AD"	CAP. DASH		"XO"
550	10.99	2.63			
600	11.49	3.13			
650	11.99	3.63	A	1.61	
700	12.49	4.13	B	2.08	
750	12.99	4.63	C	2.32	
800	13.49	5.13			

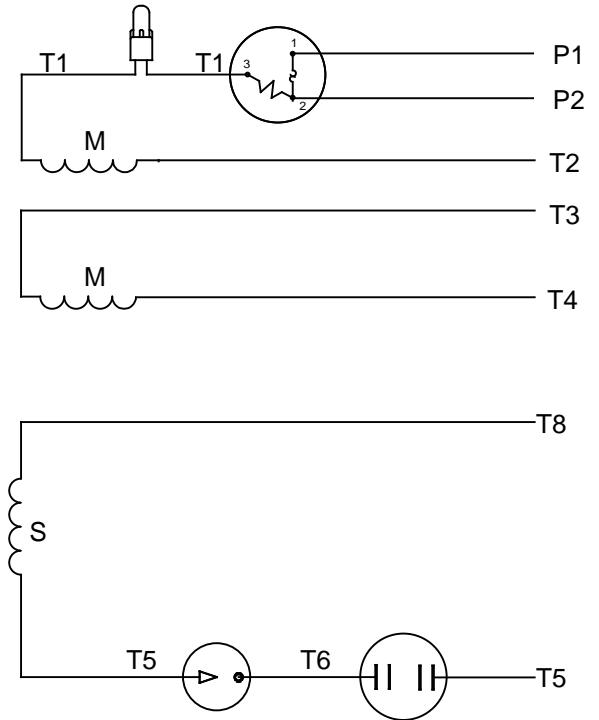
- SPECIAL FEATURES:
 1) GASKETS THROUGHOUT
 2) MANUAL PROTECTOR
 3) FLINGER ON SHAFT

REVISION		BY & DATE	CHK	ANG	±1/2"	FINISH	ELECTRIC MOTORS GEARMOTORS AND DRIVES		DRAWN	GRB	12/05/08	
THIRD ANGLE PROJECTION			RFP	12/05/08	PREV		LEESON		CHK	DJ	12/05/08	
							TITLE		APPR	DJ	12/05/08	
							OUTLINE - 56C FRAME		SCALE			1:2
							TEFC - RIGID "C" FACE		REF			028578
							MATL FARM DUTY		FMF			116486.00
									PAGE			1 OF 1
									SIZE	DRAWING NO		REV
							NETWORK FILE NAME		B	028914		

VIEW FROM OUTSIDE OF MOTOR AT SWITCH END



LINE LEADS



RBC PROPRIETARY AND CONFIDENTIAL INFORMATION
 This document is the property of REGAL BELOIT CORPORATION ("RBC") including its subsidiaries and divisions and contains proprietary information of RBC. This document is loaned on the express condition that neither it nor the information contained therein shall be disclosed to others without the express written consent of RBC, and that the information shall be used by the recipient only as approved expressly by RBC. This document shall be returned to RBC upon its request. This document may be subject to certain restrictions under U.S. export control laws and regulations.

	ROTATION FACING LEAD END	L1	L2	JOIN	INSULATE SEPARATELY
HIGH VOLT	C.C.W.	P1	T4 T5	T2,T3 T8	P2
	C.W.	P1	T4 T8	T2,T3 T5	P2
LOW VOLT	C.C.W.	P1	T2,T4 T5	P2,T3 T8	---
	C.W.	P1	T2,T4 T8	P2,T3 T5	---

		TOLERANCES UNLESS SPECIFIED		LEESON	ELECTRIC MOTORS GEARMOTORS AND DRIVES	DRAWN WLV 08/20/79	
NO	REVISION	DEC	INCHES			CHK	ADN 08/27/76
		.X	±.1			APPR	WRK 08/27/76
		.XX	±.01	TITLE EXTERNAL WIRING DIAGRAM TYPE "C" W/PROTECTOR		SCALE 1:1	
06	REDRAWN IN SOLIDWORKS	VJB	7/22/2011	.XXX	±.005	REF	
05	REDRAWN ON CAD	DBT	05/27/97	.XXXX	±.0005	FMF	
		CHK	ANG	±1/2°		PAGE OF	
THIRD ANGLE PROJECTION		RFP	PREV	SIZE	DRAWING NO		REV
		NETWORK FILE NAME 00500303		A	005003-03		06



1051 CHEYENNE AVE.
GRAFTON, WI 53024
PH. 262-377-8810

CERTIFICATION DATA SHEET

CATALOG #: 116488.00

CONN. DIAGRAM: 005003.03

OUTLINE: 028914-650B

MOUNTING: F1 ONLY

WINDING #: C634259 FR 3 A

TYPICAL MOTOR PERFORMANCE DATA

HP	kW	SYNC. RPM	F.L. RPM	FRAME	ENCLOSURE	KVA CODE	DESIGN
1	0.75	1800	1725	56C	TEFC	K	N

PH	Hz	VOLTS	AMPS	START TYPE	DUTY	INSL	S.F.	AMB°C
1	60	115/208-230	14/7.1-7	ACROSS THE LINE	CONTINUOUS	F4	1.15	40

FULL LOAD EFF:	74	3/4 LOAD EFF:	67.8	1/2 LOAD EFF:	61.6	GTD. EFF	ELEC. TYPE
FULL LOAD PF:	63	3/4 LOAD PF:	57.8	1/2 LOAD PF:	46.9	70	CAP START IND RUN

F.L. TORQUE	LOCKED ROTOR AMPS	L.R. TORQUE	B.D. TORQUE	F.L. RISE°C
48.16 OZ-FT	74.6 / 37.3	141.8 OZ-FT 294 %	132.6 OZ-FT 275 %	88.6

SOUND PRESSURE @ 3 FT.	SOUND POWER	ROTOR WK^2	MAX. WK^2	SAFE STALL TIME	STARTS / HOUR	APPROX. MOTOR WGT
0 dBA	10 dBA	0.099 LB-FT^2	0 LB-FT^2	10 SEC.	0	32 LBS.

***** SUPPLEMENTAL INFORMATION *****

DE BRACKET TYPE	ODE BRACKET TYPE	MOUNT TYPE	ORIENTATION	SEVERE DUTY	HAZARDOUS LOCATION	DRIP COVER	SCREENS	PAINT
C-FACE	STANDARD	RIGID	HORIZONTAL	FALSE	NONE	FALSE	NONE	RED - LEESON FARM DUTY

BEARINGS		GREASE	SHAFT TYPE	SPECIAL DE	SPECIAL ODE	SHAFT MATERIAL	FRAME MATERIAL
DE	ODE						
BALL	BALL	POLYREX EM	STANDARD 56	NONE	NONE	1144 STRESSPROOF (C-223)	ROLLED STEEL
6203	6203						

THERMO-PROTECTORS				THERMISTORS	CONTROL	SPACE HEATERS
THERMOSTATS	PROTECTORS	WDG RTDs	BRG RTDs			
NONE	MANUAL	NONE	NONE	NONE	FALSE	NONE VOLTS

* N O T E S *	INVERTER TORQUE: NONE
	INV. HP SPEED RANGE: NONE
	ENCODER: NONE NONE NONE NONE NONE PPR
BRAKE: NONE NONE NONE P/N NONE NONE NONE NONE FT-LB NONE V NONE Hz	



LEESON ELECTRIC CORPORATION
 TYPICAL PERFORMANCE CURVE for AC MOTOR

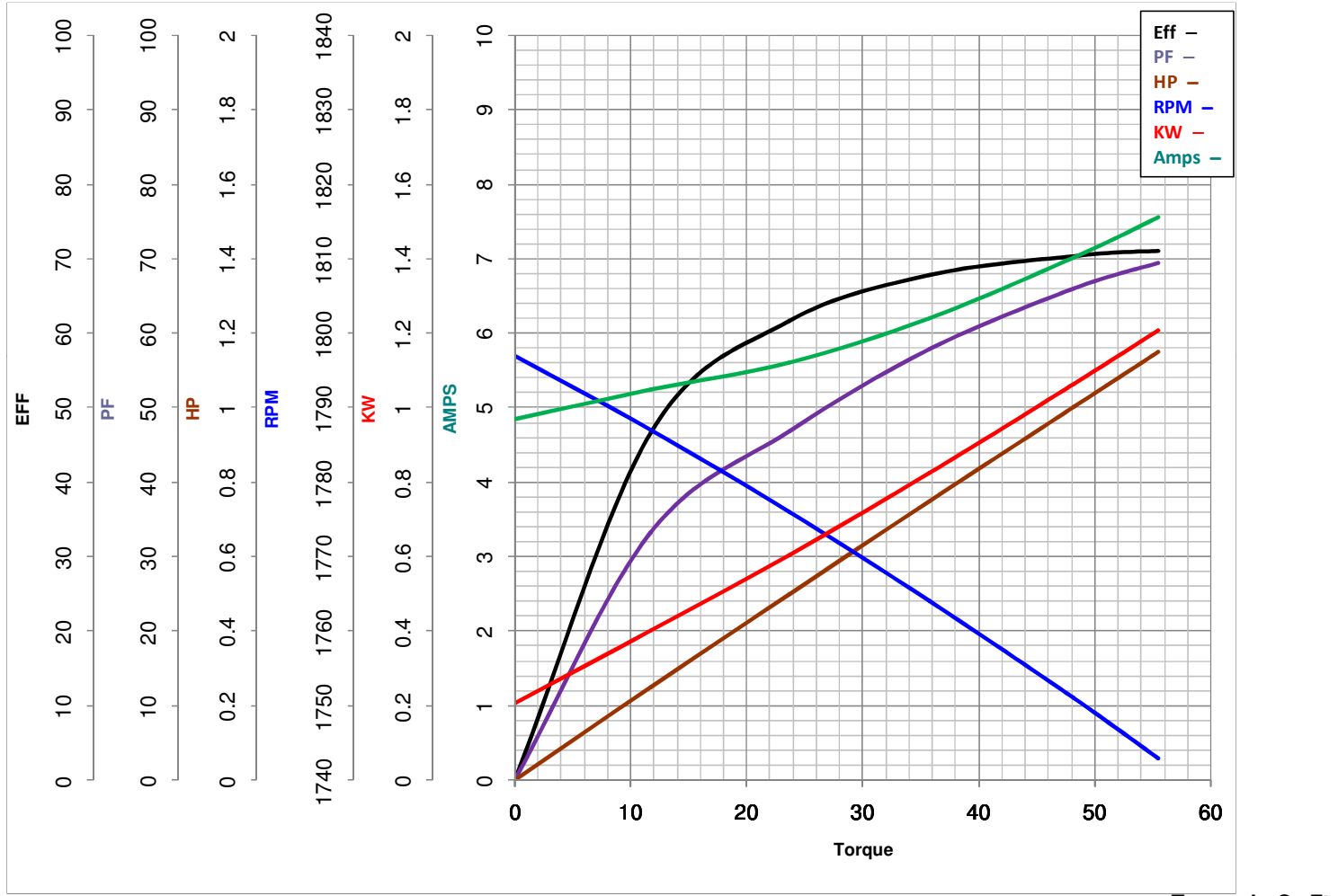
Curve at 230 Volts HP 1.00 PHASE 1
60 HZ
1 HP VOLTS 115/208-230

Model No 116488.00

Catalog No 116488.00

HZ 60

RPM 1725



FL TORQUE	<u>48.16</u> Oz.Ft	FL AMPS	<u>14.7</u>
BD TORQUE	<u>132.6</u> Oz.Ft	PU TORQUE	<u>117.6</u> Oz.Ft
LR TORQUE	<u>141.8</u> Oz.Ft	LR AMPS	<u>37.3</u>
WINDING	C634259-3	Date	3/14/2018