

PRODUCT INFORMATION PACKET



Model No: 116489.00
Catalog No: 116489.00
1.50 HP Agricultural Motor, 1 phase, 1800 RPM, 115/208-230 V, 56HC Frame, TEFC
Agricultural Motors



Regal and Leeson are trademarks of Regal Rexnord Corporation or one of its affiliated companies.
©2021 Regal Rexnord Corporation, All Rights Reserved. MC017097E



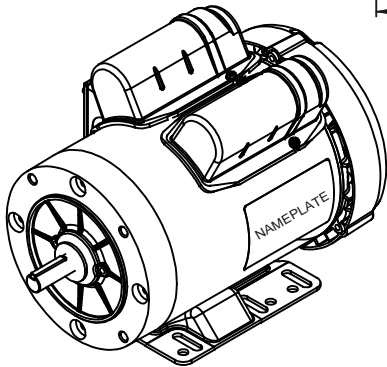
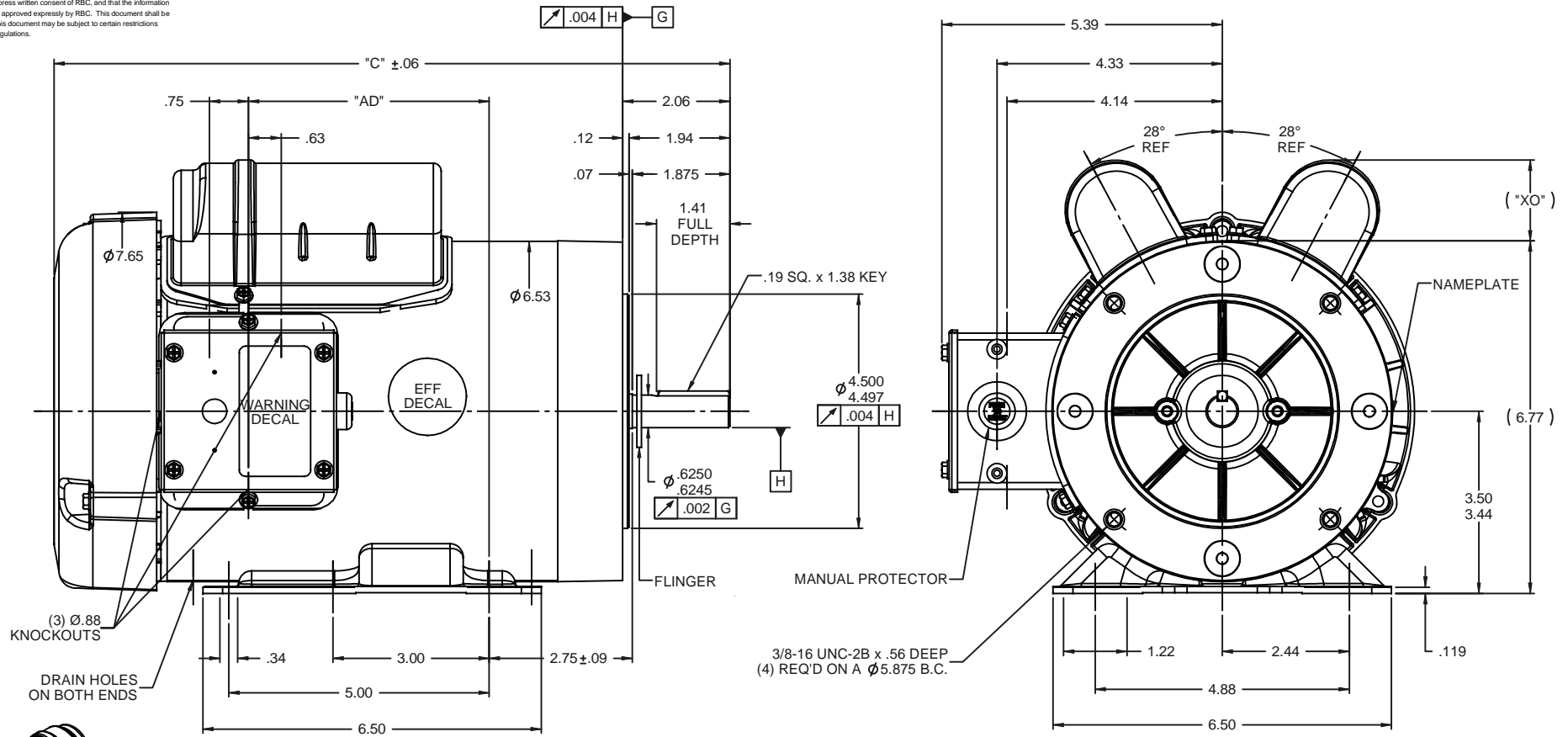


Nameplate Specifications

Output HP	1.50 Hp	Output KW	1.1 kW
Frequency	60 Hz	Voltage	115/208-230 V
Current	17.2/8.8-8.6 A	Speed	1725 rpm
Service Factor	1.15	Phase	1
Efficiency	79 %	Power Factor	73
Duty	Continuous	Insulation Class	F
Design Code	L	KVA Code	J
Frame	56HC	Enclosure	Totally Enclosed Fan Cooled
Thermal Protection	Manual	Ambient Temperature	40 °C
Drive End Bearing Size	6203	Opp Drive End Bearing Size	6203
UL	Recognized	CSA	Y
CE	N	IP Code	43
Number of Speeds	1		

Technical Specifications

Electrical Type	Capacitor Start Capacitor Run	Starting Method	Across The Line
Poles	4	Rotation	Selective Counterclockwise
Resistance Main	1.4 Ohms	Mounting	Rigid Base
Motor Orientation	Horizontal	Drive End Bearing	Ball
Opp Drive End Bearing	Ball	Frame Material	Rolled Steel
Shaft Type	NEMA 56	Overall Length	12.99 in
Frame Length	7.50 in	Shaft Diameter	0.625 in
Shaft Extension	1.88 in	Assembly/Box Mounting	F1 ONLY
Connection Drawing	005053.02	Outline Drawing	028918-750



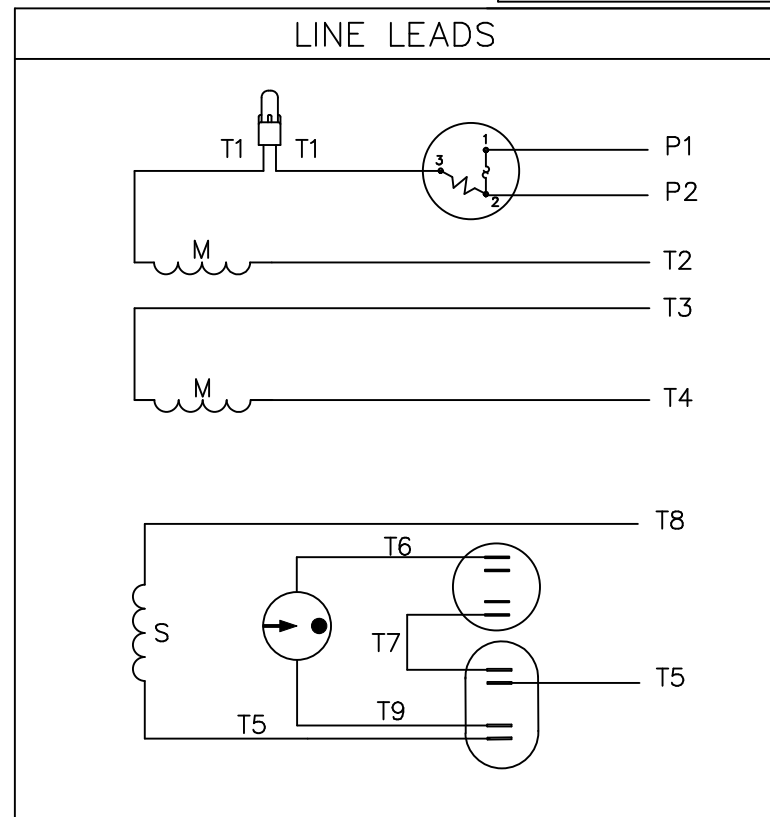
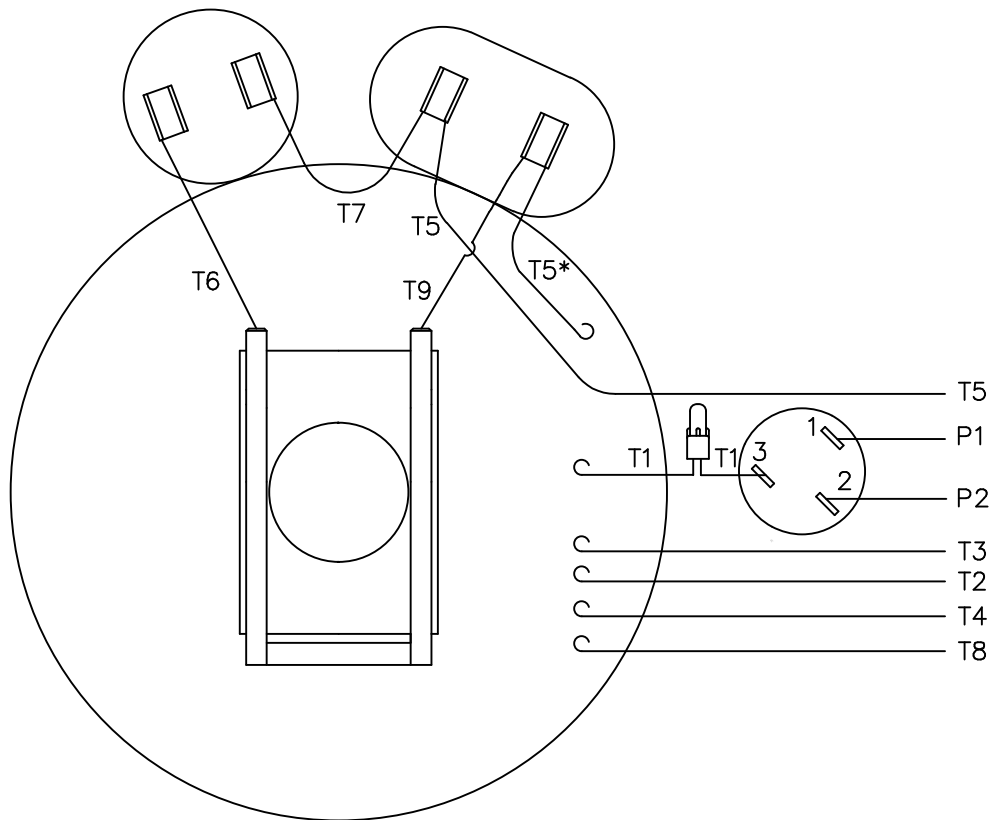
DASH NO.	"C"	"AD"	CAP. DASH	"XO"
700	12.49	4.12	A	1.06
750	12.99	4.62	B	1.51
800	13.49	5.12	C	1.73
850	13.99	5.62		

SPECIAL FEATURES:
 1) GASKETS THROUGHOUT
 2) MANUAL PROTECTOR
 3) FLINGER ON SHAFT

REVISION		BY & DATE	CHK	ANG	±1/2°	FINISH	DRAWING NO		REV
NO			RFP	12/12/08		PREV	B	028918	

TOLERANCES UNLESS SPECIFIED			TITLE OUTLINE - 56HC FRAME TEFC - RIGID "C" MAT'L FARM DUTY	SCALE
DEC	INCHES			1:2
x	±.1			REF 028581
.xx	±.03			FMF 116489.00
.xxx	±.005		PAGE 1 OF 1	
.xxxX	±.0005			

VIEW FROM OUTSIDE OF MOTOR AT SWITCH END.



	ROTATION FACING LEAD END	L1	L2	JOIN	INSULATE SEPARATELY
HIGH VOLT	C.C.W.	P1	T4 T5	T2,T3 T8	P2
	C.W.	P1	T4 T8	T2,T3 T5	P2
LOW VOLT	C.C.W.	P1	T2,T4 T5	P2,T3 T8	-----
	C.W.	P1	T2,T4 T8	P2,T3 T5	-----

* THIS LEAD MAY BE WHITE

		TOLERANCES UNLESS SPECIFIED	
		DEC.	INCHES
		.X	±.1
		.XX	±.01
04	ADDED "*" TO T5	RLW 7/22/02	.XXX ±.005
03	REDRAWN ON CAD	DBT 05/27/97	.XXXX ±.0005
NO.	REVISION	BY & DATE	CHK ANG ±1/2"

REGAL-BELOIT Motor Technologies Group

DRAWN ADH 06/16/76
 CHK WRK 06/30/76
 APPD
 SCALE 1=1
 REF
 FMF 6K17FB8A
 PREV

TITLE: EXTERNAL WIRING DIAGRAM TYPE "K" W/PROTECTOR
 MAT'L: DECAL 004011
 FINISH

RFP CAD FILE 00505302 SIZE A DRAWING NO. 005053-02 REV. 04
 DIST



CERTIFICATION DATA SHEET

**1051 CHEYENNE AVE.
GRAFTON, WI 53024
PH. 262-377-8810**

CATALOG #: 116489.00

CONN. DIAGRAM: 005053.02

OUTLINE: 028918-750

MOUNTING: F1 ONLY

WINDING #: K634278 FR 3 I

TYPICAL MOTOR PERFORMANCE DATA

HP	kW	SYNC. RPM	F.L. RPM	FRAME	ENCLOSURE	KVA CODE	DESIGN
1 1/2	1.12	1800	1725	56HC	TEFC	J	L

PH	Hz	VOLTS	AMPS	START TYPE	DUTY	INSL	S.F.	AMB°C
1	60	115/208-230	17.2/8.8-8.6	ACROSS THE LINE	CONTINUOUS	F4	1.15	40

FULL LOAD EFF:	79	3/4 LOAD EFF:	78.7	1/2 LOAD EFF:	75.8	GTD. EFF		ELEC. TYPE	
FULL LOAD PF:	73	3/4 LOAD PF:	65.8	1/2 LOAD PF:	53.2	75.5	CAP START CAP RUN		

F.L. TORQUE	LOCKED ROTOR AMPS	L.R. TORQUE	B.D. TORQUE	F.L. RISE°C
4.48 LB-FT	102 / 51	13 LB-FT 290 %	10.8 LB-FT 241 %	84

SOUND PRESSURE @ 3 FT.	SOUND POWER	ROTOR WK^2	MAX. WK^2	SAFE STALL TIME	STARTS / HOUR	APPROX. MOTOR WGT
0 dBA	10 dBA	0.14 LB-FT^2	0 LB-FT^2	10 SEC.	0	40 LBS.

***** SUPPLEMENTAL INFORMATION *****

DE BRACKET TYPE	ODE BRACKET TYPE	MOUNT TYPE	ORIENTATION	SEVERE DUTY	HAZARDOUS LOCATION	DRIP COVER	SCREENS	PAINT
C-FACE	STANDARD	RIGID	HORIZONTAL	FALSE	NONE	FALSE	NONE	RED - LEESON FARM DUTY

BEARINGS		GREASE	SHAFT TYPE	SPECIAL DE	SPECIAL ODE	SHAFT MATERIAL	FRAME MATERIAL
DE	ODE						
BALL	BALL	POLYREX EM	T	NONE	NONE	1144 STRESSPROOF (C-223)	ROLLED STEEL
6203	6203						

THERMO-PROTECTORS				THERMISTORS	CONTROL	SPACE HEATERS
THERMOSTATS	PROTECTORS	WDG RTDs	BRG RTDs			
NONE	MANUAL	NONE	NONE	NONE	FALSE	NONE VOLTS

*
N
O
T
E
S

INVERTER TORQUE: NONE
INV. HP SPEED RANGE: NONE
ENCODER: NONE
NONE NONE
NONE NONE PPR
BRAKE: NONE NONE
NONE P/N NONE
NONE NONE
NONE FT-LB NONE V NONE HZ



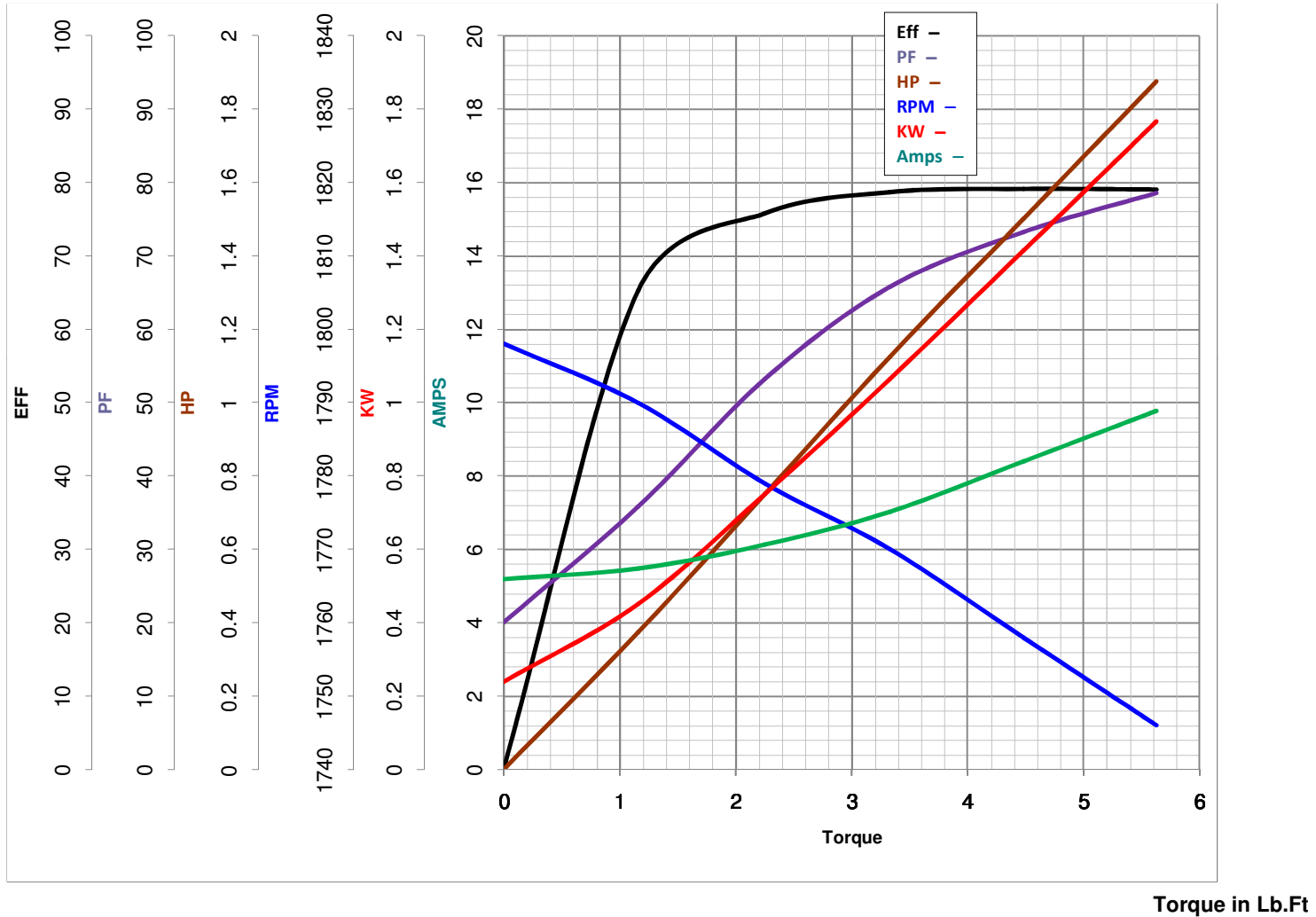
LEESON ELECTRIC CORPORATION TYPICAL PERFORMANCE CURVE for AC MOTOR

Model No 116489.00

Curve at 230 Volts HP 1.50 PHASE 1
60 HZ
1.5 HP VOLTS 115/208-230

Catalog No 116489.00

HZ 60 RPM 1725



FL TORQUE 4.48 Lb.Ft
BD TORQUE 10.8 Lb.Ft
LR TORQUE 13 Lb.Ft

FL AMPS 17.2/8.8-8.6
PU TORQUE 9.3 Lb.Ft
LR AMPS 51

WINDING K634278-3

Date 3/27/2018