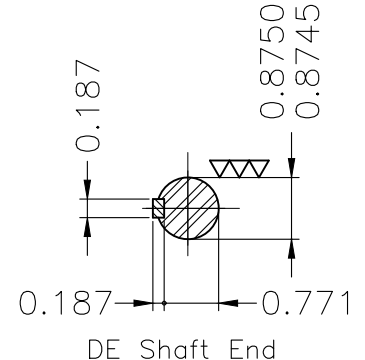
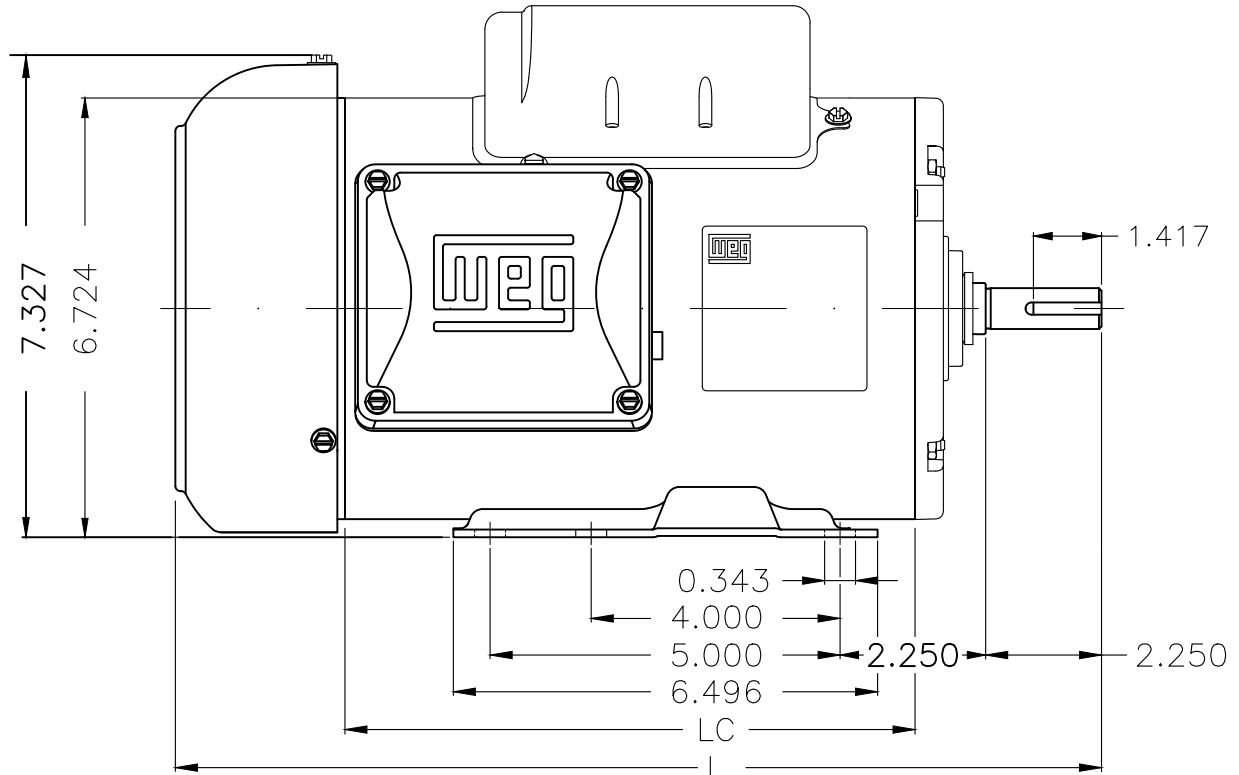
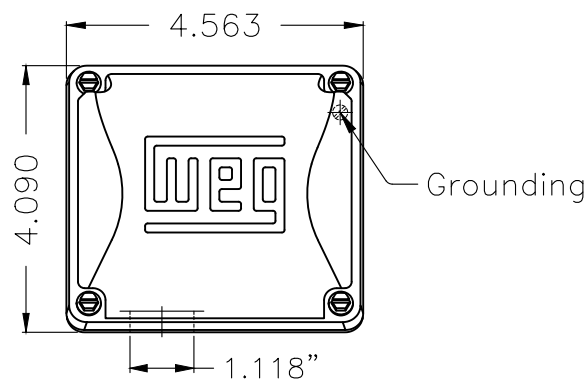
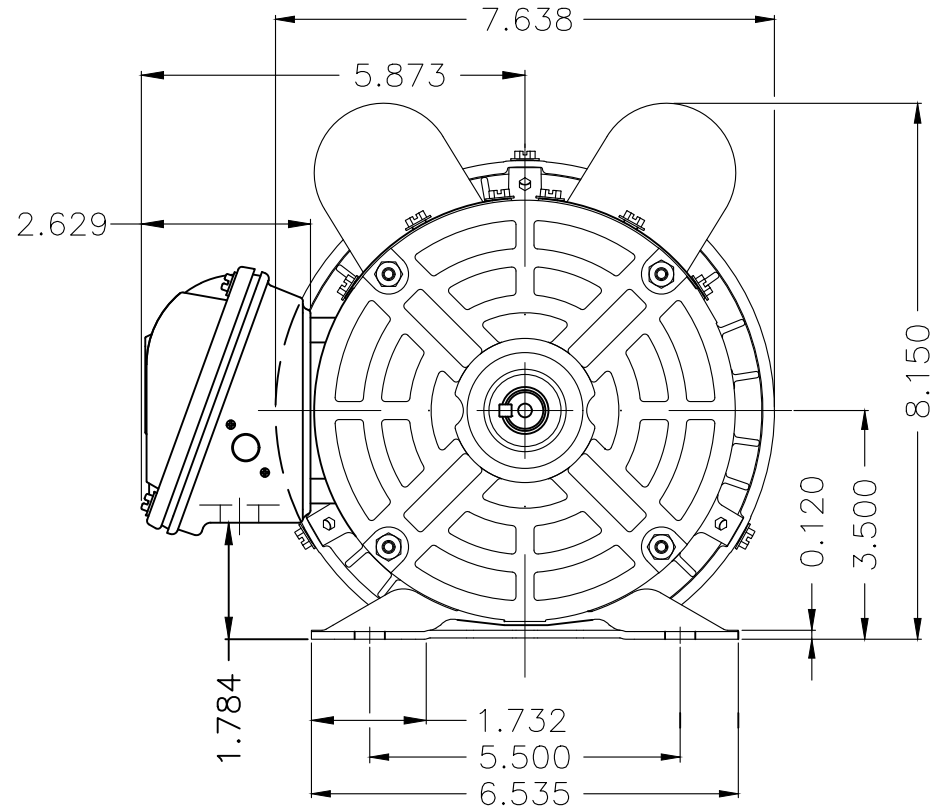


EIXO/SHAFT	
PADRÃO/STANDARD	X
OPCIONAL/OPTIONAL	
ESPECIAL/SPECIAL	

Dimensões em polegadas
Dimensions in inches

THIS IS AN UPDATED REVISION, THE PREVIOUS ONE MUST BE DISREGARDED.

A
B
C
D
E



Rolamentos dianteiro e traseiro de esferas 2RS / 2RS DE and NDE ball bearings
Cor RAL 3003 / Color RAL 3003
Protetor térmico fenólico - manual / Phenolic thermal protector - manual
Forma construtiva B3D / Mounting F-1/B3R(D)

WEG ELECTRIC CORPORATION - WEC

500002740386		Alterado conforme PCR 100000266781	OLIVEIRAJ	DEYKSON	DEYKSON	25.09.2024	04
500001884525		Alterado conforme PCR 100000266781	SANDRIN	DEYKSON	DEYKSON	08.02.2021	03
ECM	LOC	SUMMARY OF MODIFICATIONS	EXECUTED	CHECKED	RELEASED	DATE	VER
EXECUTED	LUCASSZ	SINGLE PHASE MOTOR TEFC ROLLED STEEL SINGLE PHASE MOTOR TEFC ROLLED STEEL	10004616171				
CHECKED	EMERSONRH		000	04			
RELEASED	EMERSONRH		SHEET	1 / 1			
REL DT	21.11.2016	WMO	LINHARES	ENGENHARIA DO PRODUTO			

				LC	L	
2.0 HP	04 Poles	60Hz	414471322	10.236	15.945	B
1.5 HP	04 Poles	60Hz	414471255	9.448	15.152	A

UNCONTROLLED COPY RELEASED ZME A3