

DATA SHEET



Single Phase Induction Motor - Squirrel Cage

Customer :						
Product line		: W22 00022 Single-Phase		Product code : 14229634		
Frame	: 182/4T	Locked rotor time	: 14s (cold) 8s (hot)			
Output	: 3 HP (2.2 kW)	Temperature rise	: 80 K			
Poles	: 4	Duty cycle	: Cont.(S1)			
Frequency	: 60 Hz	Ambient temperature	: -20°C to +40°C			
Rated voltage	: 230 V	Altitude	: 1000 m.a.s.l.			
Rated current	: 13.8 A	Protection degree	: IP55			
L. R. Amperes	: 106 A	Cooling method	: IC411 - TEFC			
LRC	: 7.7x(Code K)	Mounting	: F-1			
No load current	: 6.70 A	Rotation ¹	: Both (CW and CCW)			
Rated speed	: 1745 rpm	Noise level ²	: 60.0 dB(A)			
Slip	: 3.06 %	Starting method	: Direct On Line			
Rated torque	: 1.25 kgfm	Approx. weight ³	: 48.0 kg			
Locked rotor torque	: 290 %					
Breakdown torque	: 270 %					
Insulation class	: F					
Service factor	: 1.15					
Moment of inertia (J)	: 0.0157 kgm ²					
Output	50%	75%	100%	Foundation loads		
Efficiency (%)	65.0	74.0	77.0	Max. traction : 46 kgf		
Power Factor	0.79	0.87	0.90	Max. compression : 94 kgf		
		<u>Drive end</u>		<u>Non drive end</u>		
Bearing type	:	6207 2RS		6206 2RS		
Sealing	:	V'Ring		V'Ring		
Lubrication interval	:	-		-		
Lubricant amount	:	-		-		
Lubricant type	:	Mobil Polyrex EM				
Notes						
<p>This revision replaces and cancel the previous one, which must be eliminated.</p> <p>(1) Looking the motor from the shaft end.</p> <p>(2) Measured at 1m and with tolerance of +3dB(A).</p> <p>(3) Approximate weight subject to changes after manufacturing process.</p> <p>(4) At 100% of full load.</p>			<p>These are average values based on tests with sinusoidal power supply, subject to the tolerances stipulated in NEMA MG-1.</p>			
Rev.	Changes Summary			Performed	Checked	Date
Performed by						
Checked by					Page	Revision
Date	29/10/2024				1 / 2	

LOAD PERFORMANCE CURVE

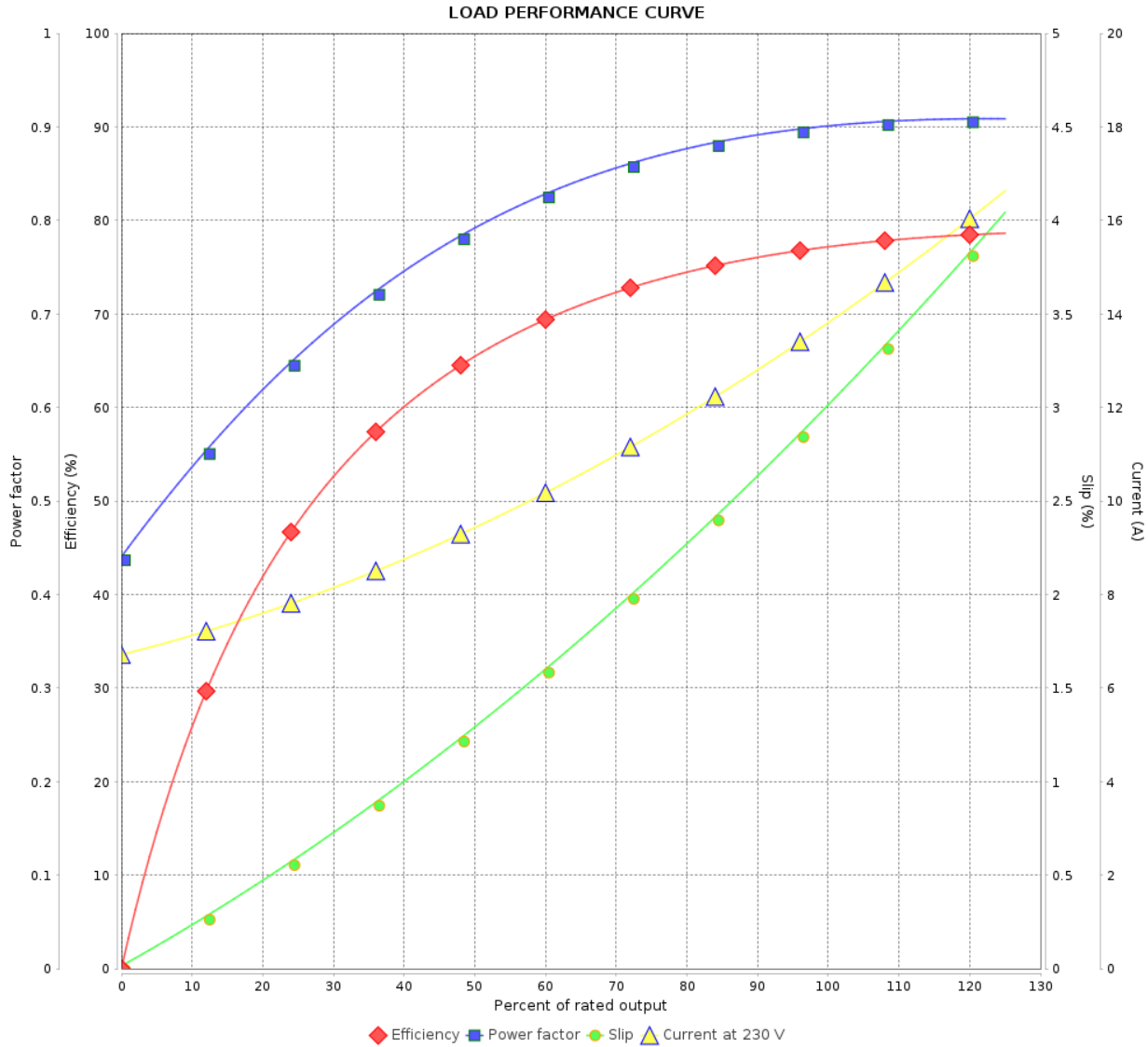
Single Phase Induction Motor - Squirrel Cage



Customer :

Product line : W22 00022 Single-Phase

Product code : 14229634



Performance : 230 V 60 Hz 4P

Rated current : 13.8 A
 LRC : 7.7
 Rated torque : 1.25 kgfm
 Locked rotor torque : 290 %
 Breakdown torque : 270 %
 Rated speed : 1745 rpm

Moment of inertia (J) : 0.0157 kgm²
 Duty cycle : Cont.(S1)
 Insulation class : F
 Service factor : 1.15
 Temperature rise : 80 K

Rev.	Changes Summary	Performed	Checked	Date
Performed by			Page 2 / 2	Revision
Checked by				
Date	29/10/2024			

1 2 3 4 5 6

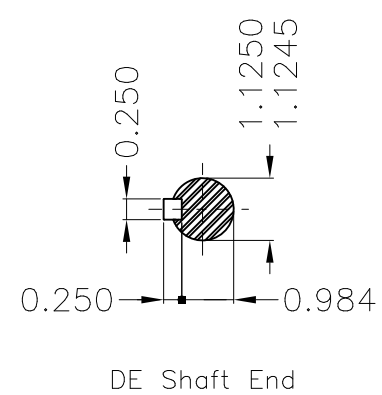
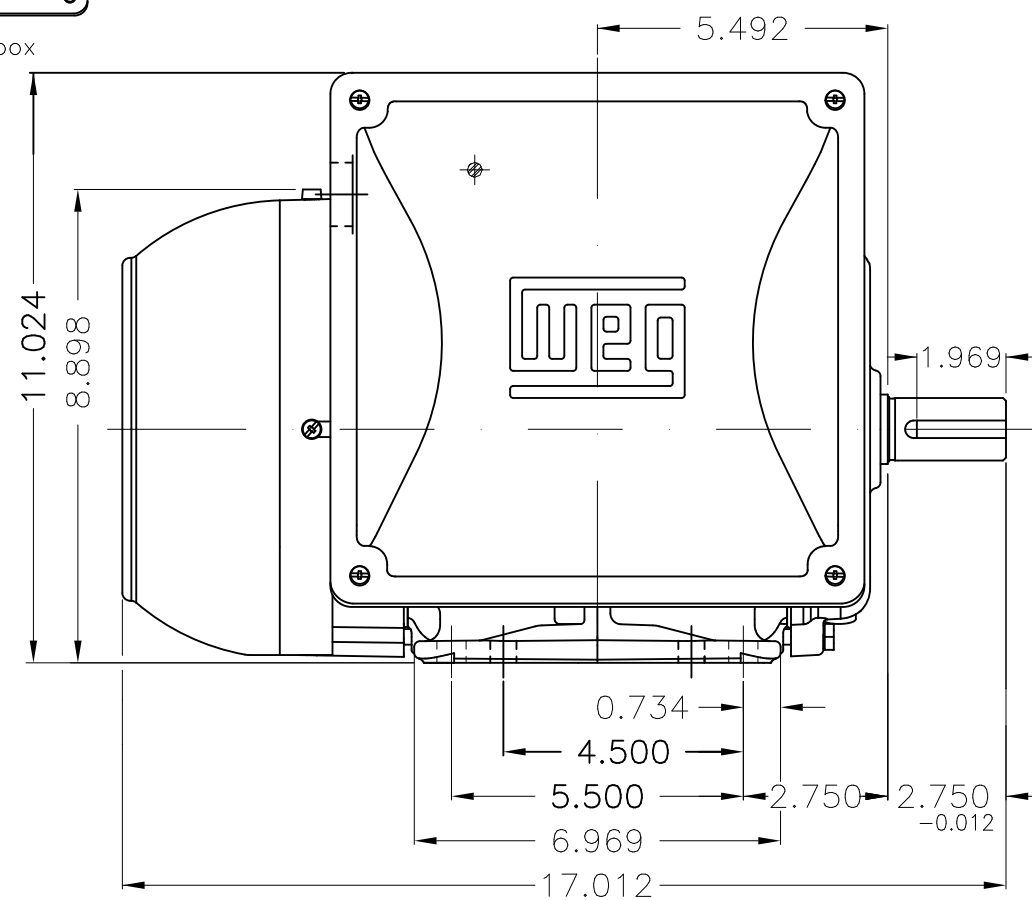
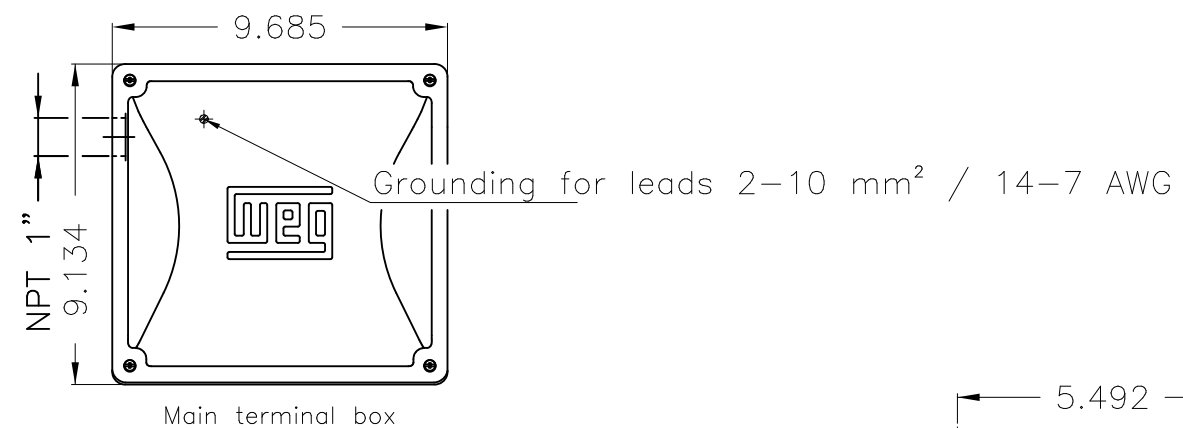
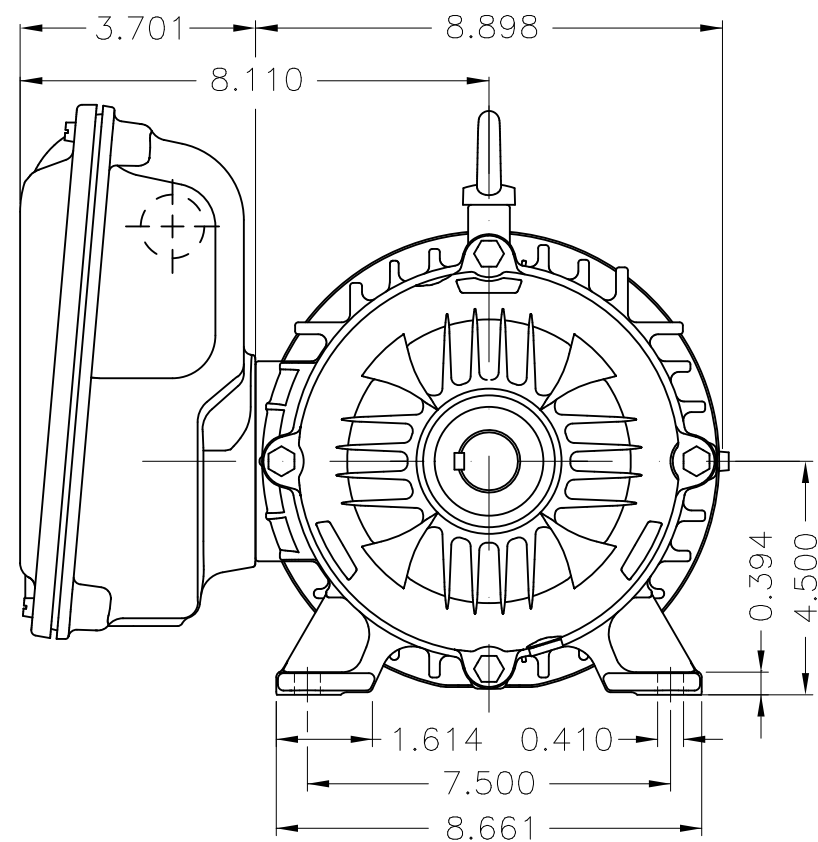
A

B

C

D

E



Dimensions in inches

Mounting NEMA F-1					
Mounting B3R(D)					
				HYBRISUSER	00
ECM	LOC	SUMMARY OF MODIFICATIONS		EXECUTED	CHECKED
EXECUTED	HYBRISUSER	SINGLE PH. MOTOR W22 FARM DUTY		RELEASED	DATE
CHECKED		FRAME 182/4T IP55 TEFC			VER
RELEASED					
REL. DATE	WMO	Jaragua do Sul	Product Engineering		

3 HP 04 Poles 60 Hz

A PREVIEW WDD 00 SHEET 1 / 1

