

DATA SHEET

Single Phase Induction Motor - Squirrel Cage



| | | | | |
|--|------------------------|--|---------------------------|----------|
| Customer : | | | | |
| Product line | : 00022 Single-Phase | Product code : | 13941011 | |
| Frame | : W56 | Cooling method | : IC411 - TEFC | |
| Insulation class | : F | Mounting | : F-1 | |
| Duty cycle | : Cont.(S1) | Rotation ¹ | : Both (CW and CCW) | |
| Ambient temperature | : -20°C to +40°C | Starting method | : Direct On Line | |
| Altitude | : 1000 m.a.s.l. | Approx. weight ³ | : 8.6 kg | |
| Protection degree | : IP55 | Moment of inertia (J) | : 0.0017 kgm ² | |
| Design | : N | | | |
| Output [HP] | 0.33 | | | |
| Poles | 4 | | | |
| Frequency [Hz] | 60 | | | |
| Rated voltage [V] | 115/230 | | | |
| Rated current [A] | 6.00/3.00 | | | |
| L. R. Amperes [A] | 33.6/16.8 | | | |
| LRC [A] | 5.6x(Code N) | | | |
| No load current [A] | 5.40/2.70 | | | |
| Rated speed [RPM] | 1735 | | | |
| Slip [%] | 3.61 | | | |
| Rated torque [kgfm] | 0.138 | | | |
| Locked rotor torque [%] | 320 | | | |
| Breakdown torque [%] | 280 | | | |
| Service factor | 1.15 | | | |
| Temperature rise | 80 K | | | |
| Locked rotor time | 21s (cold) 12s (hot) | | | |
| Noise level ² | 52.0 dB(A) | | | |
| Efficiency (%) | 25% | | | |
| | 50% | 46.0 | | |
| | 75% | 55.0 | | |
| | 100% | 61.0 | | |
| Power Factor | 25% | | | |
| | 50% | 0.42 | | |
| | 75% | 0.51 | | |
| | 100% | 0.59 | | |
| Bearing type | : Drive end : 6203 2RS | Non drive end : 6202 2RS | Foundation loads | |
| Sealing | : V'Ring | Without Bearing Seal | Max. traction : 8 kgf | |
| Lubrication interval | : - | - | Max. compression : 16 kgf | |
| Lubricant amount | : - | - | | |
| Lubricant type | : Mobil Polyrex EM | | | |
| Notes | | | | |
| This revision replaces and cancel the previous one, which must be eliminated. (1) Looking the motor from the shaft end. (2) Measured at 1m and with tolerance of +3dB(A). (3) Approximate weight subject to changes after manufacturing process. (4) At 100% of full load. | | These are average values based on tests with sinusoidal power supply, subject to the tolerances stipulated in NEMA MG-1. | | |
| Rev. | Changes Summary | Performed | Checked | Date |
| Performed by | | | | |
| Checked by | | | Page | Revision |
| Date | 17/05/2022 | | 1 / 2 | |

LOAD PERFORMANCE CURVE

Single Phase Induction Motor - Squirrel Cage

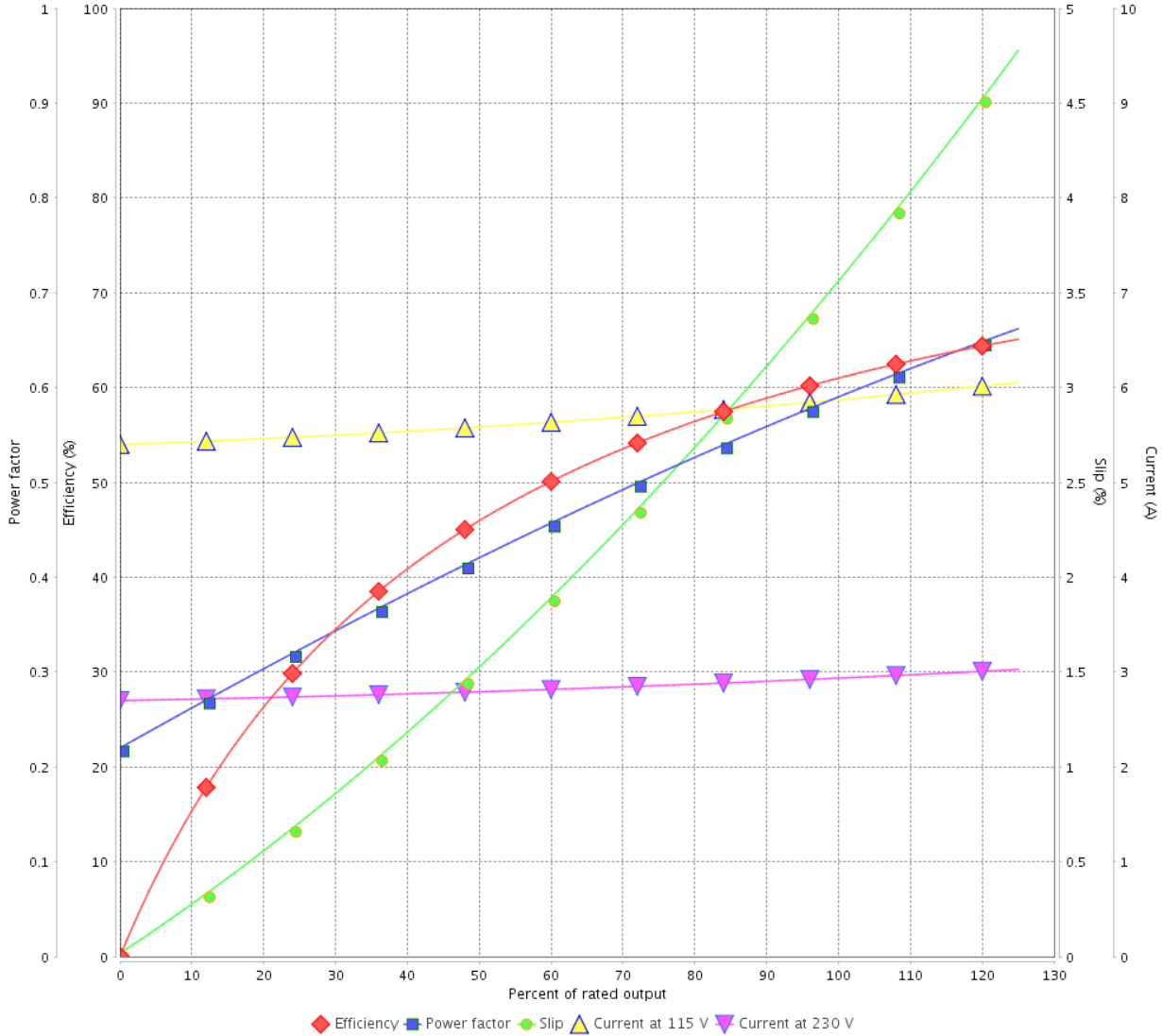


Customer :

Product line : 00022 Single-Phase

Product code : 13941011

LOAD PERFORMANCE CURVE



Performance : 115/230 V 60 Hz 4P

Rated current : 6.00/3.00 A
 LRC : 5.6
 Rated torque : 0.138 kgfm
 Locked rotor torque : 320 %
 Breakdown torque : 280 %
 Rated speed : 1735 rpm

Moment of inertia (J) : 0.0017 kgm²
 Duty cycle : Cont.(S1)
 Insulation class : F
 Service factor : 1.15
 Temperature rise : 80 K
 Design : N

| Rev. | Changes Summary | Performed | Checked | Date |
|--------------|-----------------|-----------|---------------|----------|
| | | | | |
| Performed by | | | Page 2 / 2 | Revision |
| Checked by | | | | |
| Date | 17/05/2022 | | | |

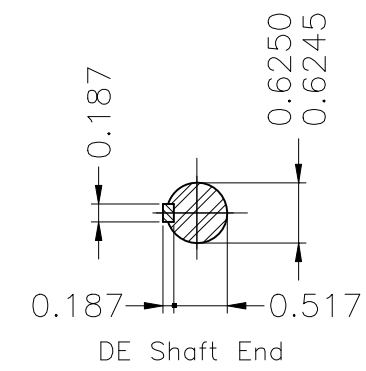
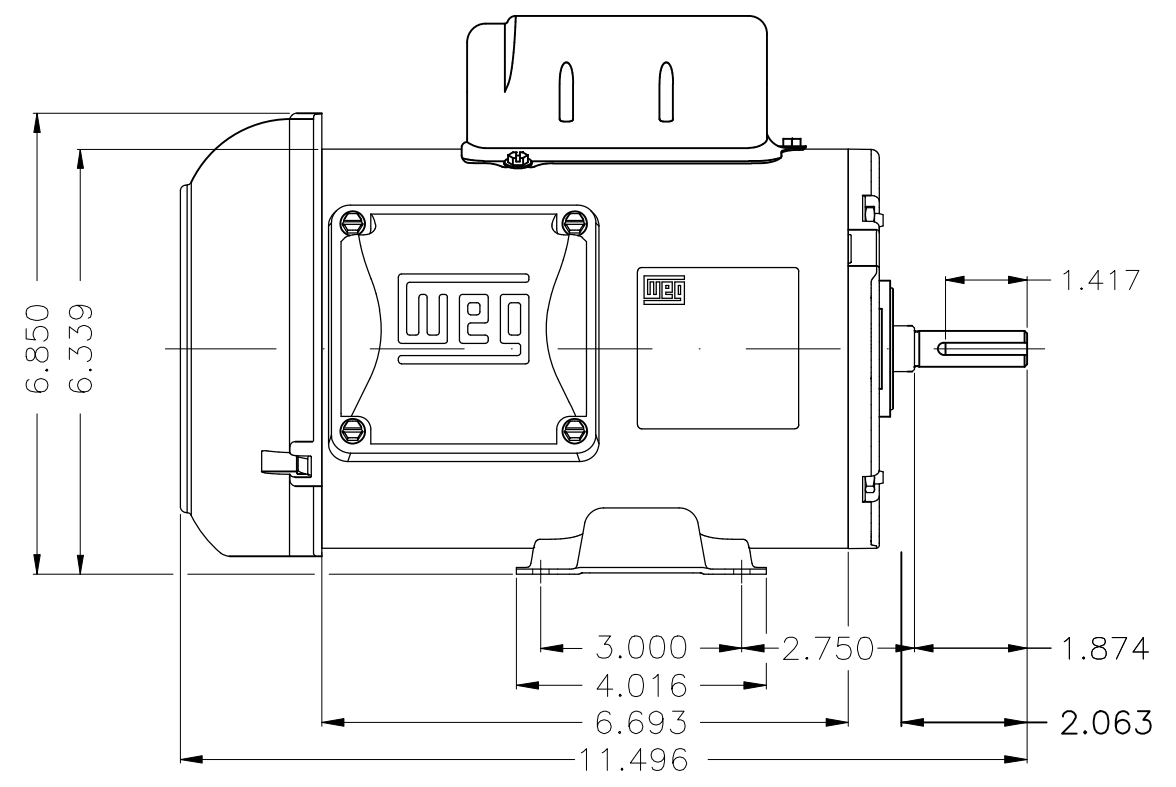
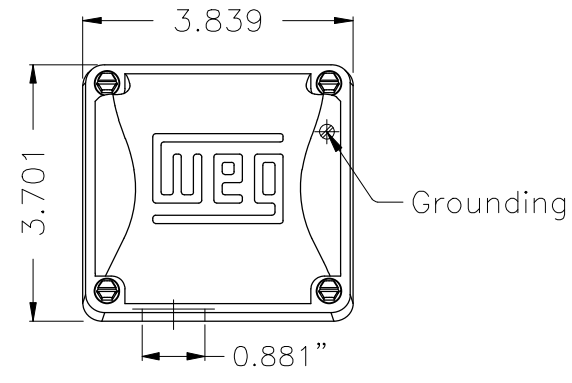
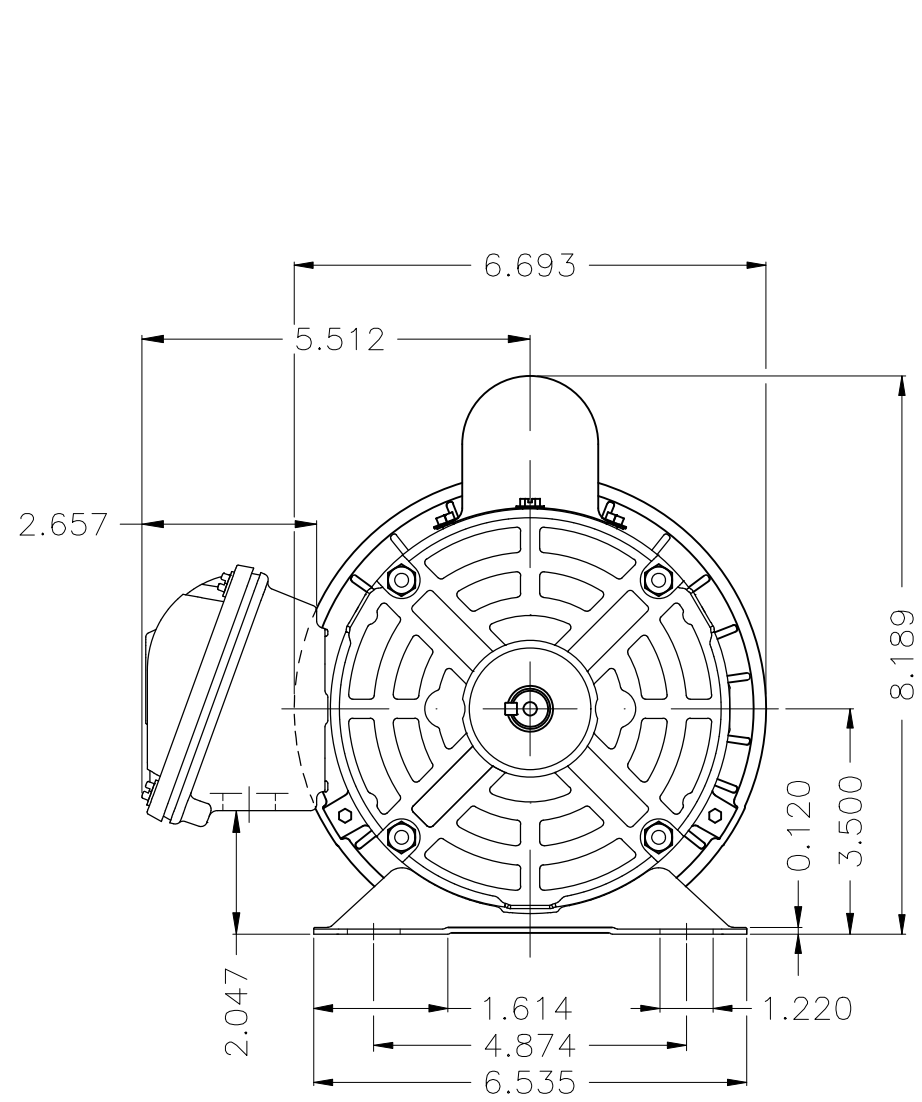
A

B

C

D

E



| Mounting F-1/B3R(D) | | | | | | | | | |
|---------------------|------------|---|----------------|---------------------|----------|---------|----------|------|-----|
| ECM | LOC | SUMMARY OF MODIFICATIONS | | | EXECUTED | CHECKED | RELEASED | DATE | VER |
| EXECUTED | HYBRISUSER | SINGLE PH. MOTOR ROLLED STEEL FARM DUTY | | | | | | | |
| CHECKED | | FRAME W56 IP55 TEFC | | | | | | | |
| RELEASED | | | | | | | | | |
| REL. DATE | | WMO | Jaragua do Sul | Product Engineering | | | | | |

0.33 HP 04 Poles 60 Hz

A

HYBRISUSER 00

PREVIEW

WDD 00

SHEET 1 / 1