

# DATA SHEET

## Single Phase Induction Motor - Squirrel Cage



Customer	:				
Product line	: 00022 Single-Phase	Product code :	12884005		
Frame	: W56	Cooling method	: IC411 - TEFC		
Insulation class	: F	Mounting	: F-1		
Duty cycle	: Cont.(S1)	Rotation <sup>1</sup>	: Both (CW and CCW)		
Ambient temperature	: -20°C to +40°C	Starting method	: Direct On Line		
Altitude	: 1000 m.a.s.l.	Approx. weight <sup>3</sup>	: 9.7 kg		
Protection degree	: IP55	Moment of inertia (J)	: 0.0020 kgm <sup>2</sup>		
Design	: N				
Output [HP]	0.5				
Poles	4				
Frequency [Hz]	60				
Rated voltage [V]	115/230				
Rated current [A]	8.00/4.00				
L. R. Amperes [A]	45.6/22.8				
LRC [A]	5.7x(Code M)				
No load current [A]	6.60/3.30				
Rated speed [RPM]	1730				
Slip [%]	3.89				
Rated torque [kgfm]	0.210				
Locked rotor torque [%]	320				
Breakdown torque [%]	270				
Service factor	1.15				
Temperature rise	80 K				
Locked rotor time	18s (cold) 10s (hot)				
Noise level <sup>2</sup>	52.0 dB(A)				
Efficiency (%)	25%	48.5			
	50%	52.0			
	75%	59.0			
	100%	64.0			
Power Factor	25%	0.25			
	50%	0.44			
	75%	0.54			
	100%	0.63			
Bearing type	: Drive end	Non drive end	Foundation loads		
Sealing	: V'Ring	V'Ring	Max. traction	: 13 kgf	
Lubrication interval	: -	-	Max. compression	: 23 kgf	
Lubricant amount	: -	-			
Lubricant type	: Mobil Polyrex EM				
Notes					
This revision replaces and cancel the previous one, which must be eliminated. (1) Looking the motor from the shaft end. (2) Measured at 1m and with tolerance of +3dB(A). (3) Approximate weight subject to changes after manufacturing process. (4) At 100% of full load.			These are average values based on tests with sinusoidal power supply, subject to the tolerances stipulated in NEMA MG-1.		
Rev.	Changes Summary		Performed	Checked	Date
Performed by					
Checked by				Page	Revision
Date	13/05/2022			1 / 2	

# LOAD PERFORMANCE CURVE

Single Phase Induction Motor - Squirrel Cage

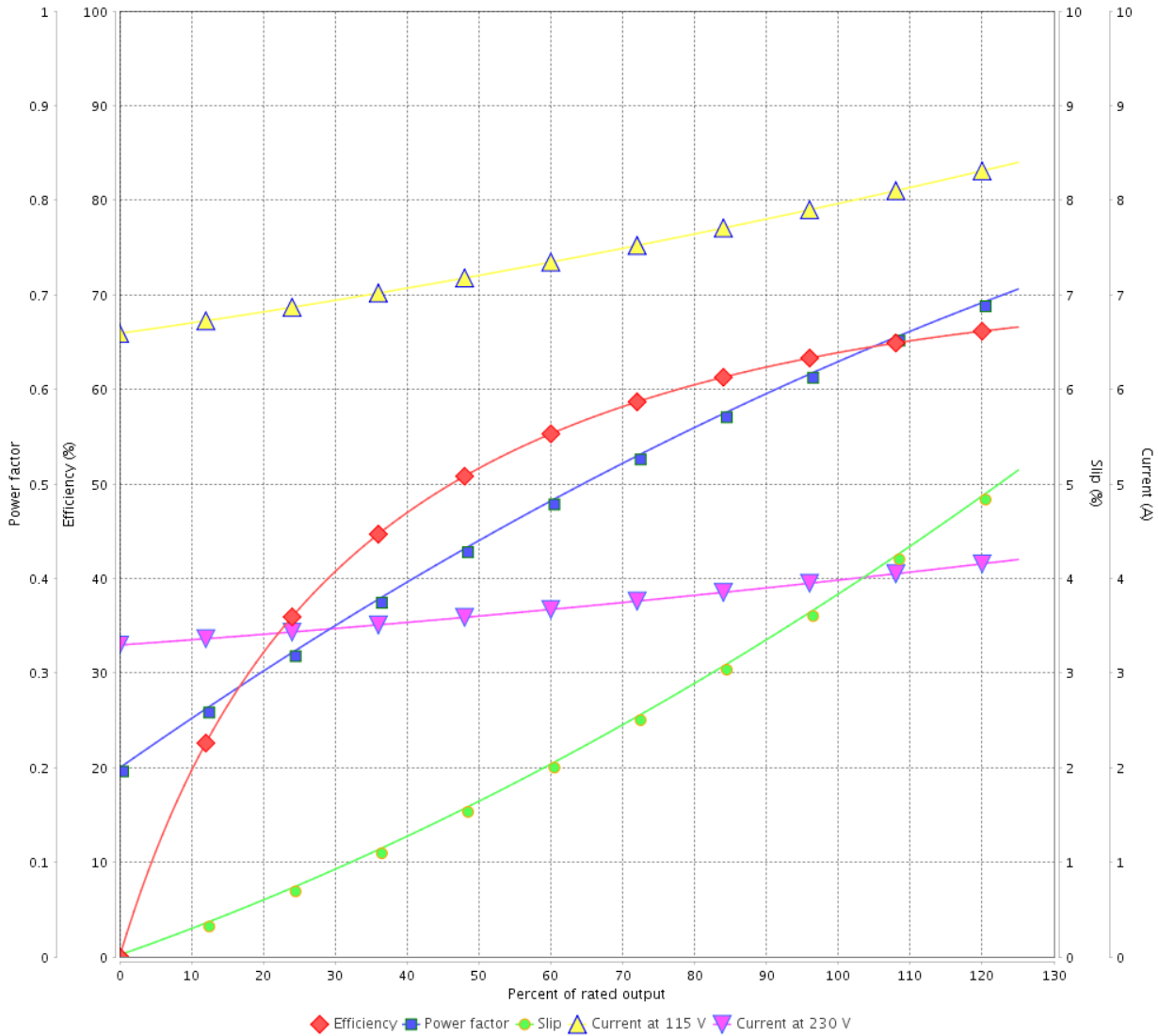


Customer :

Product line : 00022 Single-Phase

Product code : 12884005

LOAD PERFORMANCE CURVE



Performance : 115/230 V 60 Hz 4P

Rated current : 8.00/4.00 A  
 LRC : 5.7  
 Rated torque : 0.210 kgfm  
 Locked rotor torque : 320 %  
 Breakdown torque : 270 %  
 Rated speed : 1730 rpm

Moment of inertia (J) : 0.0020 kgm<sup>2</sup>  
 Duty cycle : Cont.(S1)  
 Insulation class : F  
 Service factor : 1.15  
 Temperature rise : 80 K  
 Design : N

Rev.	Changes Summary	Performed	Checked	Date
Performed by			Page 2 / 2	Revision
Checked by				
Date	13/05/2022			

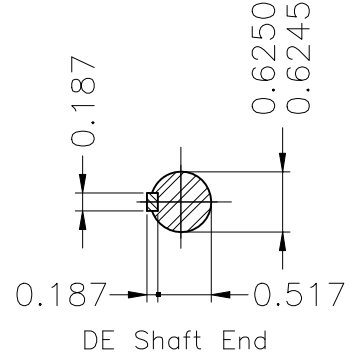
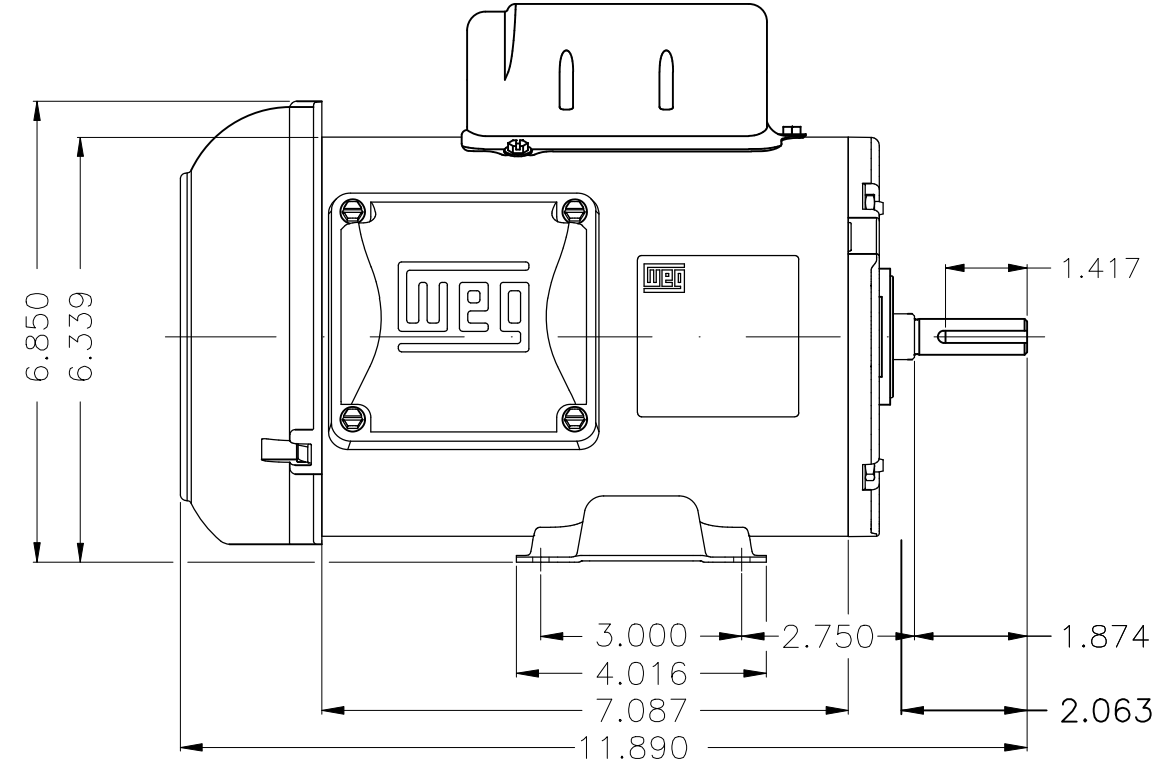
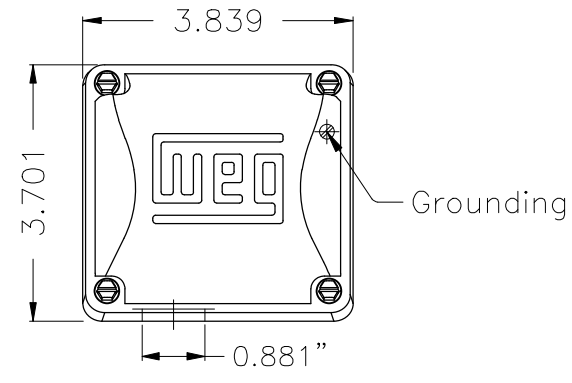
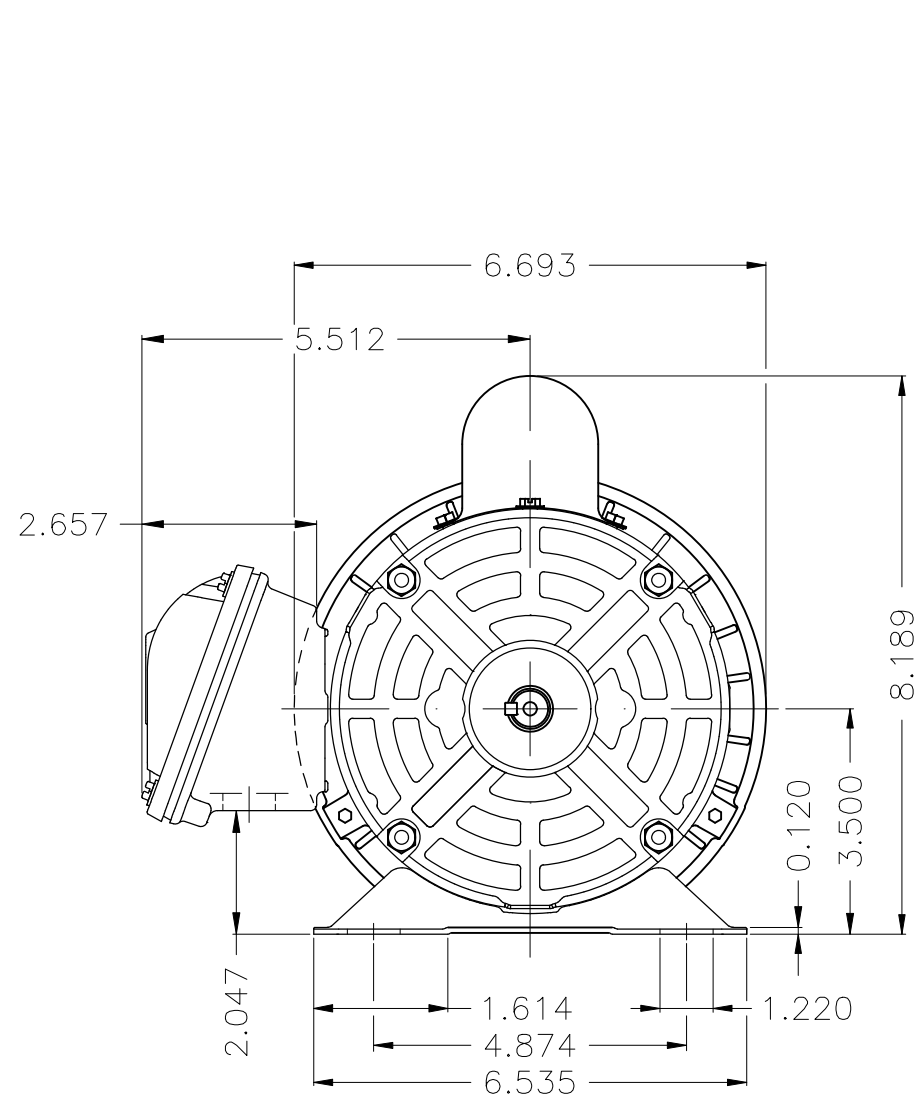
A

B

C

D

E



Dimensions in inches

Mounting F-1/B3R(D)									
ECM	LOC	SUMMARY OF MODIFICATIONS			EXECUTED	CHECKED	RELEASED	DATE	VER
EXECUTED	HYBRISUSER	SINGLE PH. MOTOR ROLLED STEEL FARM DUTY							00
CHECKED		FRAME W56 IP55 TEFC							
RELEASED									
REL. DATE		WMO	Jaragua do Sul	Product Engineering	PREVIEW		WDD 00		
					SHEET		1 / 1		

0.5 HP 04 Poles 60 Hz

A