

**NEMA** | **Model SSB0002D-C**  
 MFG PN: TSSF56HC1U2B

# Model SSB0002D-C

## Product Data Package



MODEL	HP	RPM	VOLTAGE	PHASE	Hz	FRAME	MOUNT	ENCLOSURE
SSB0002D-C	1	3510	230/460	3	60	56HC	Rigid/C-Flange	TEFC

### Toronto

**TOLL FREE** 1.888.286.1820  
**PHONE** 905.829.1001  
**EMAIL** info@techttopcanada.com

### Montreal

**TOLL FREE** 1.844.354.5111  
**PHONE** 514.354.1002  
**EMAIL** infoQC@techttopcanada.com

### Moncton

**PHONE** 506.386.5794  
**EMAIL** infoNB@techttopcanada.com

### Winnipeg

**PHONE** 204.633.2779  
**EMAIL** infoMB@techttopcanada.com

### Vancouver

**PHONE** 604.525.1551  
**EMAIL** infoBC@techttopcanada.com



### Index

Motor General Data Sheet	P 2
Nameplate Information	P 3
Technical Performance Data	P 4
Motor General Wiring Diagram	P 5
Motor General Outline Drawing	P 6



**Model SSB0002D-C**  
**MFG PN: TSSF56HC1U2B**

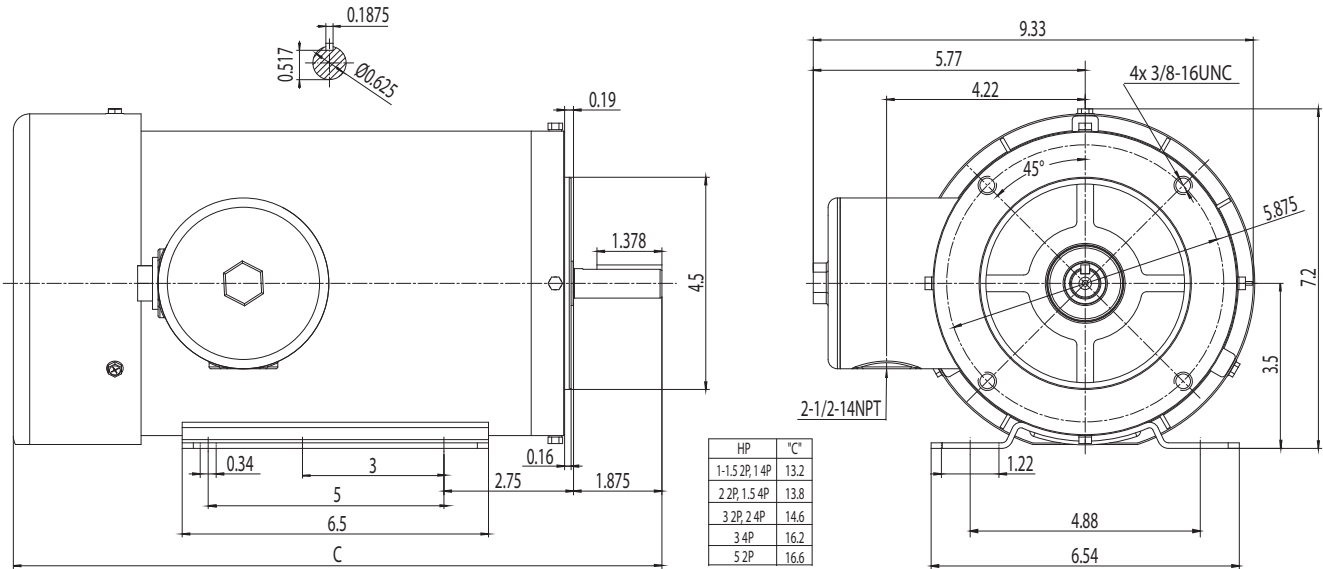
ELECTRICAL DATA		
Rated Motor Output Power	1	HP
	0.75	kW
Rated Motor Speed	3510	r/min 60Hz
	2880	r/min 50Hz
Rated Motor Voltage (+/-10%)	230/460	V/60Hz
	190/380	V/50Hz
Rated Motor Current	2.96/1.48	A (I <sub>n</sub> ) @ 60Hz
	3.38/1.69	A (I <sub>n</sub> ) @ 50Hz
Phase	3	∅
Locked Rotor Current @ High Voltage	-	A (I <sub>n</sub> ) @ 60Hz
FI Current @ 208V	3.28	A (I <sub>n</sub> ) @ 60Hz
Service Factor	1.25	@ 60Hz
	1	@ 50Hz
KVA Code	L	60Hz
	H	50Hz
Nominal Efficiency	80	% @ 60Hz
Nominal Power Factor	0.79	cosΦ @ 60Hz
Leads (Qty, Size)	9	18
Connection	YY/Y	-
Coil Resistance	-	Ω
Start Capacitor	-	μF/V
Run Capacitor	-	μF/V
VFD DUTY (S.F. 1.0)		
	RATIO	Hz
Variable Torque	30:1	2 - 60
Constant Torque	15:1	4 - 60
FULL LOAD TEMPERATURE RISE		
Full Load Temperature Rise	27.2	°C @ 60Hz
	-	°C @ 50Hz

GENERAL DATA		
Frame Size	56HC	
Enclosure	TEFC	
Mounting	Rigid/C-Flange	
Approximate Weight (lbs.)	39.4 lbs.	
Casing Material / Fan Cover	Stainless Steel	Stainless Steel
Shaft Material	304 SS	
NEMA Design	B	
Degree of Protection (IP)	69K	
Insulation Class / Temp Rise (60Hz)	F	B
Tropicalization	YES	
Duty	Cont. / S1	
Conduit Box Location	F1	
Feet Removable / Double Drilled	NO	YES
Paintwork	unpainted	
	unpainted	
MECHANICAL DATA		
Bearing DE Side	6205 ZZ	
Bearing ODE Side	6204 ZZ	
Grease Type	Food grade Mobilgrease™ FM 222	
Compensation Ring (wavy washer)	NDE	
Moment of Inertia (lb-ft <sup>2</sup> )	-	
Sound Pressure @ 3 FT dBA	-	
SITE CONDITIONS		
Ambient Temperature (°C)	40	
Meters Above Sea Level (MASL)	1000	
HAZARDOUS LOCATIONS		
CSA Certified	A, B, C & D	
Temperature Code	-	-

**Questions? Call 1.888.286.1820**

**NEMA**

**Model SSB0002D-C**  
**MFG PN: TSSF56HC1U2B**



NAMEPLATE DATA	60Hz	50Hz
Horse Power	1	1
RPM	3510	2880
Voltage	230/460	190/380
Full Load Amps	2.96/1.48	3.38/1.69
Service Factor	1.25	1
KVA Code	L	H
Full Load Amps (208V)	3.28	-
Nominal Efficiency	80	80.7
Nominal Power Factor	0.79	0.83
Design	B	
Frame	56HC	
Enclosure Type	TEFC	
IP Rating	69K	
Duty	Cont. / S1	
Insulation Class	F	
Ambient Rating	40	
Drive End Bearing	6205 ZZ	
Opposite Drive End Bearing	6204 ZZ	
Weight (lbs)	39.4	

**NAMEPLATE LAYOUT**

**TECHTOP** STAINLESS STEEL ELECTRIC MOTOR  
 WASHDOWN DUTY BISSC CERTIFIED (IP69K)

MODEL PH 3 ENCL 60 Hz VOLT 60 HP 1.5 RPM 3510 FLA 2.96 S.F. 1.25 KVA 1.48 EFF 80 P.F. 0.79

FRAME IP69K 50 Hz VOLT 50 HP 1.5 RPM 2880 FLA 3.38 S.F. 1.0 KVA 1.69 EFF 80.7 P.F. 0.83

MFG PN SER # DATE DESIGN INS CL DUTY AMB lbs. DE BRG ODE BRG

CONNECTION DIAGRAM  
 LOW VOLTAGE: T4 T5 T6 C  
 480V VOLTAGE: T7 T8 T9 T10 T11 T12 T13 T14 T15 T16 T17 T18 T19 T20 T21 T22 T23 T24 T25 T26 T27 T28 T29 T30

INVERTER DUTY  
 15:1 CONSTANT TORQUE  
 30:1 VARIABLE TORQUE  
 @ 1.0 SERVICE FACTOR

CLASS 1, DIV 2, GROUPS A, B, C AND D COMPLIANT MADE IN CHINA

VFD DUTY (S.F. 1.0)	RATIO	Hz*
Variable Torque	30:1	2 - 60
Constant Torque	15:1	4 - 60

\*For max speed please contact Techtop Canada

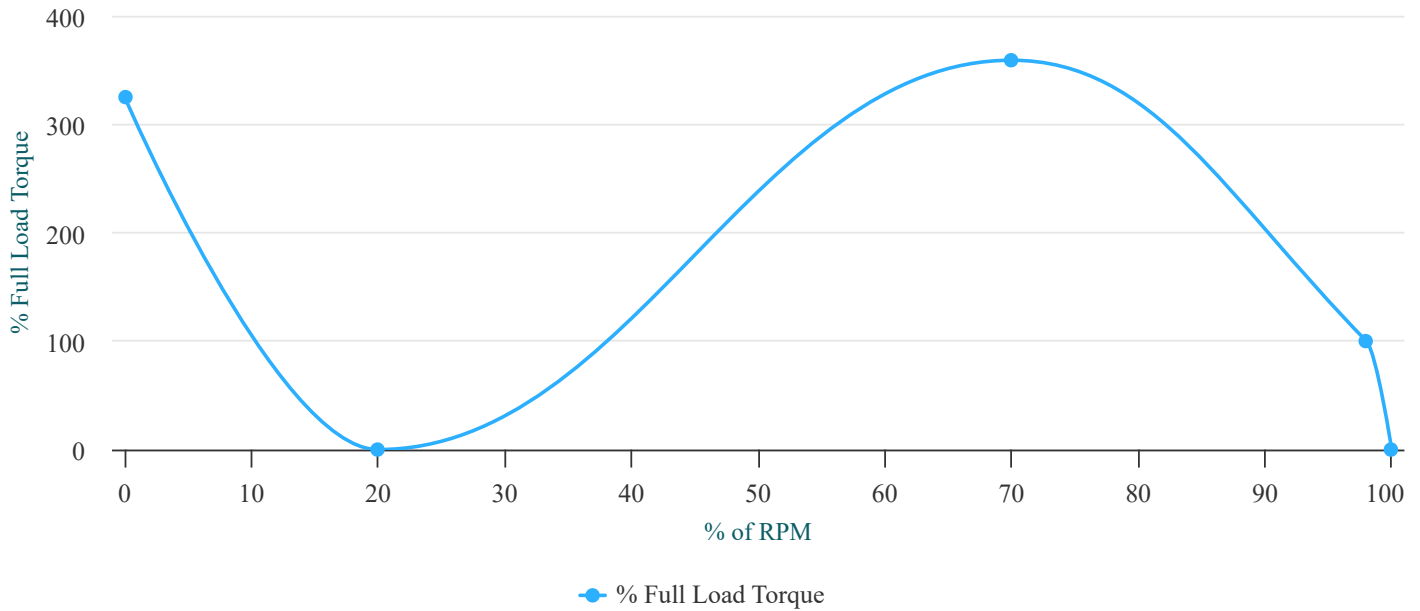
HAZARDOUS LOCATIONS	CSA COMPLIANT
Class / Division	Class 1, Div. 2
Groups	A, B, C & D

**Questions? Call 1.888.286.1820**



**Model SSB0002D-C**  
**MFG PN: TSSF56HC1U2B**

### Torque Speed (T-n) Curve



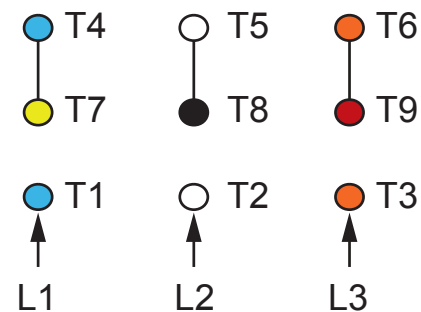
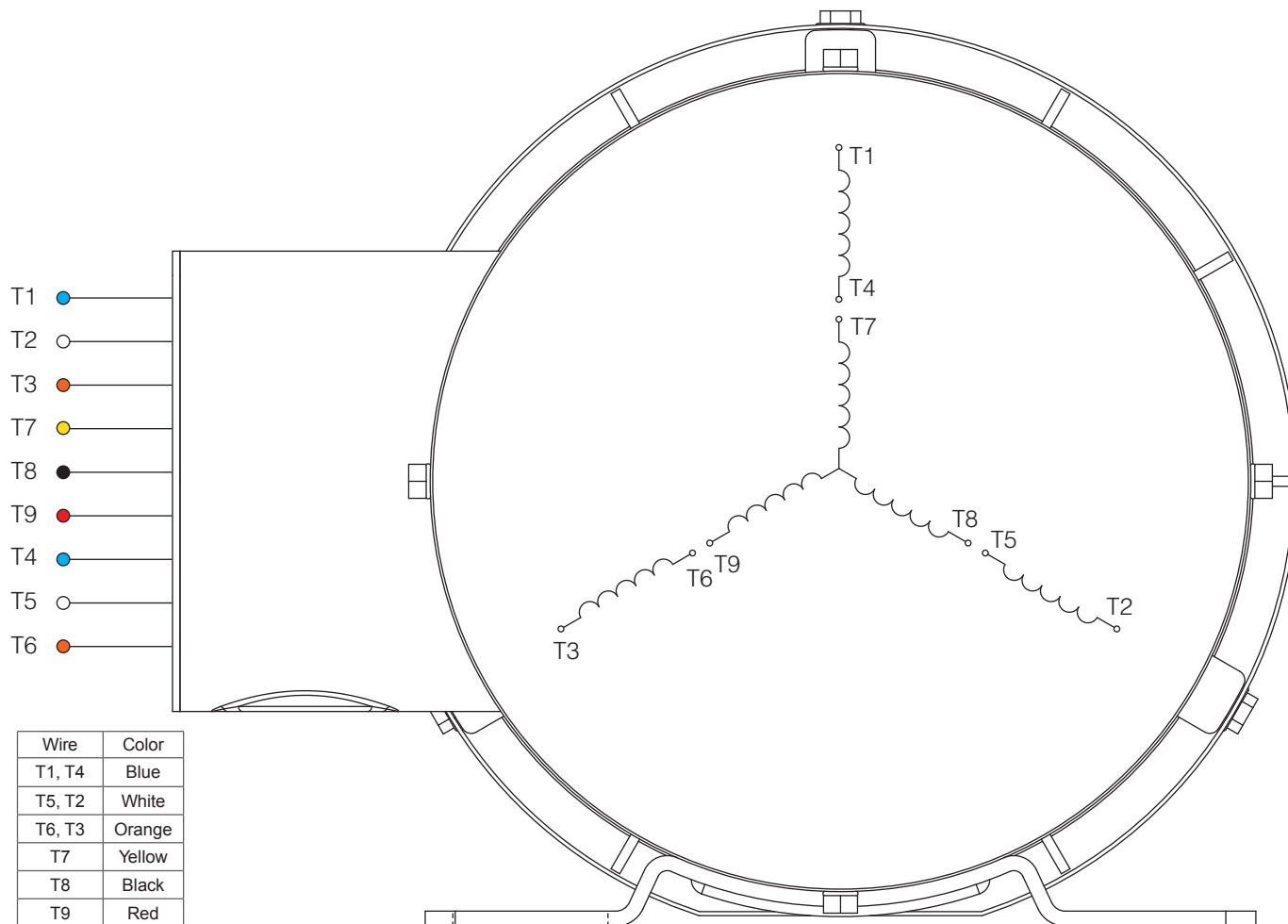
#### PERFORMANCE LOAD VALUES, HIGH VOLTAGE, 60Hz

#### TYPICAL PERFORMANCE - NOT GUARANTEED VALUES

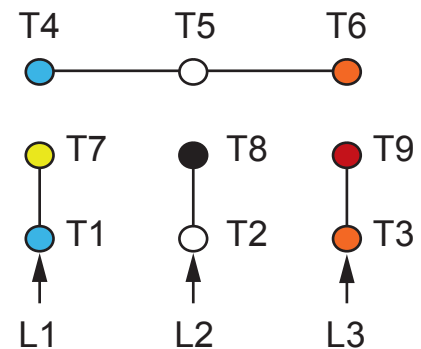
TORQUE VALUES	TORQUE (lb-ft)	TORQUE (% FULL LOAD)	PERFORMANCE VALUES	
Locked Rotor Torque	4.9	325	Start Configuration	DOL
Pull-Up Torque	0	0	Starting Current (A)	-
Breakdown Torque	5.4	359	No-Load Current (A)	0.6
Full Load Torque	1.5	100	No-Load Power Factor	-

% OF RATED LOAD	25	50	75	100	125	S.F. 1.25
Line Amperes (A)	0.7	0.8	1.1	1.3	1.6	1.6
Efficiency (%)	67.7	78.9	82.7	83.9	83.9	83.9
Speed (r/min)	3575	3555	3532	3508	3482	3482
Power Factor (cosΦ)	0.52	0.71	0.81	0.86	0.89	0.89
Input Power (kW)	0.28	0.48	0.68	0.89	1.12	1.12

**Questions? Call 1.888.286.1820**



**HIGH VOLTAGE (Y)**



**LOW VOLTAGE (YY)**

**NOTES:**

1. CCW ROTATION FACING ODE FOR CONNECTIONS SHOWN
2. TO REVERSE ROTATION, SWAP ANY TWO INPUT LINES
3. WHEN MOTOR IS IN F1 POSITION, LEADS INDICATED WITH "\*" EXIT THE CASING ABOVE THE CENTER LINE OF THE MOTOR, THE REMAINING LEADS EXIT BELOW THE CENTER LINE
4. LEADS MUST BE NUMBERED AND COLORED AS SHOWN
5. DIAGRAMS FOR REFERENCE ONLY



**NEMA 3Ø YY/Y 9-Lead Dual Voltage**

**DRAWING NUMBER:**

NEMA-3-9-YY-Y-SS

**CONNECTION:**

YY/Y

**NUMBER OF LEADS:**

9

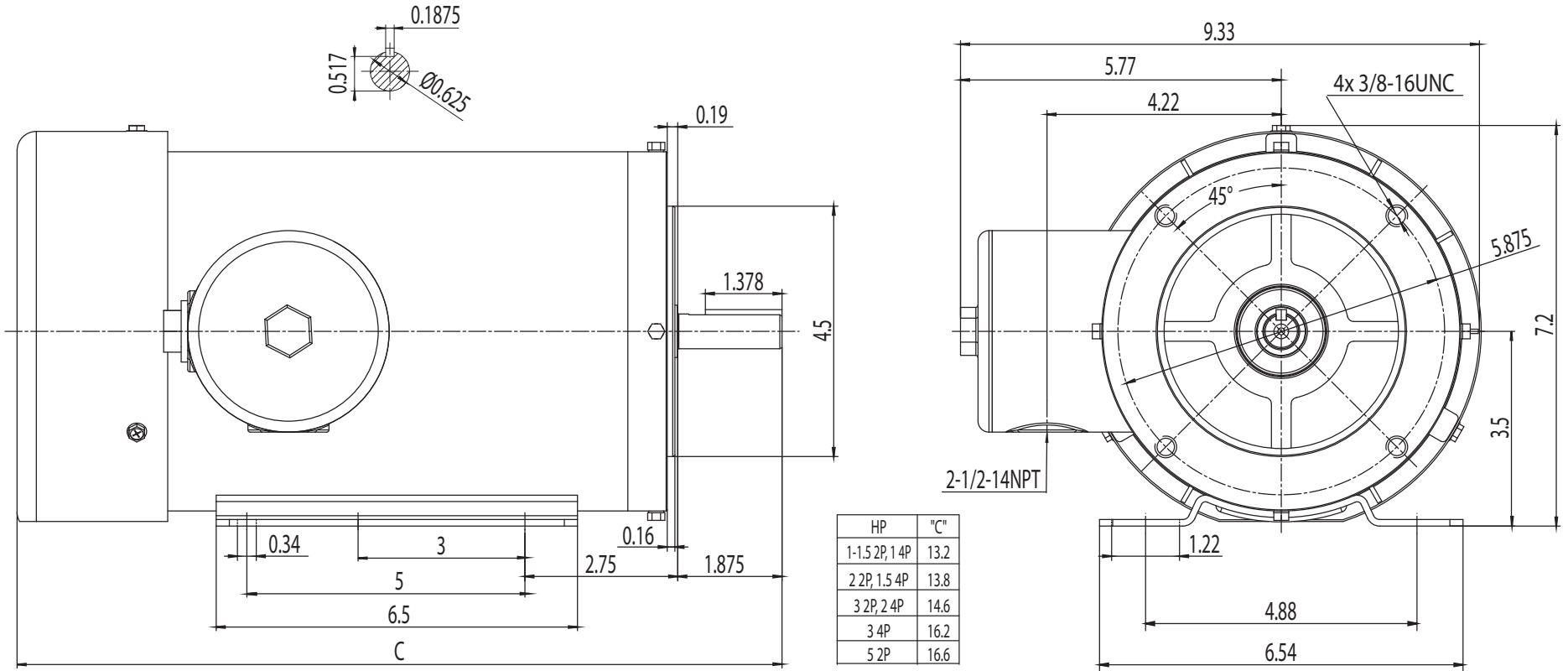
**THERMAL PROTECTION:**

-

**ISSUED DATE**

24/02/25

STAINLESS STEEL IP69K MOTORS



**NEMA Premium TEFC 56HC**

**DRAWING NUMBER:**

SS3-TF-56HC

**DIMENSIONS:**

Inches

**MOUNTING:**

Rigid/C-Flange

**CASING MATERIAL:**

Stainless Steel

**ISSUED DATE**

24/02/25

STAINLESS STEEL IP69K MOTORS