

NEMA

Model **SSB0004F-C-RND**
MFG PN: TSSF56HC1U4B

Model **SSB0004F-C-RND**

Product Data Package



MODEL	HP	RPM	VOLTAGE	PHASE	Hz	FRAME	MOUNT	ENCLOSURE
SSB0004F-C-RND	1	1750	575	3	60	56HC	Round Body/C-Flange	TEFC

Toronto

TOLL FREE 1.888.286.1820
PHONE 905.829.1001
EMAIL info@techttopcanada.com

Montreal

TOLL FREE 1.844.354.5111
PHONE 514.354.1002
EMAIL infoQC@techttopcanada.com

Moncton

PHONE 506.386.5794
EMAIL infoNB@techttopcanada.com

Winnipeg

PHONE 204.633.2779
EMAIL infoMB@techttopcanada.com

Vancouver

PHONE 604.525.1551
EMAIL infoBC@techttopcanada.com



Index

Motor General Data Sheet	P 2
Nameplate Information	P 3
Technical Performance Data	P 4
Motor General Wiring Diagram	P 5
Motor General Outline Drawing	P 6



Model SSB0004F-C-RND
MFG PN: TSSF56HC1U4B

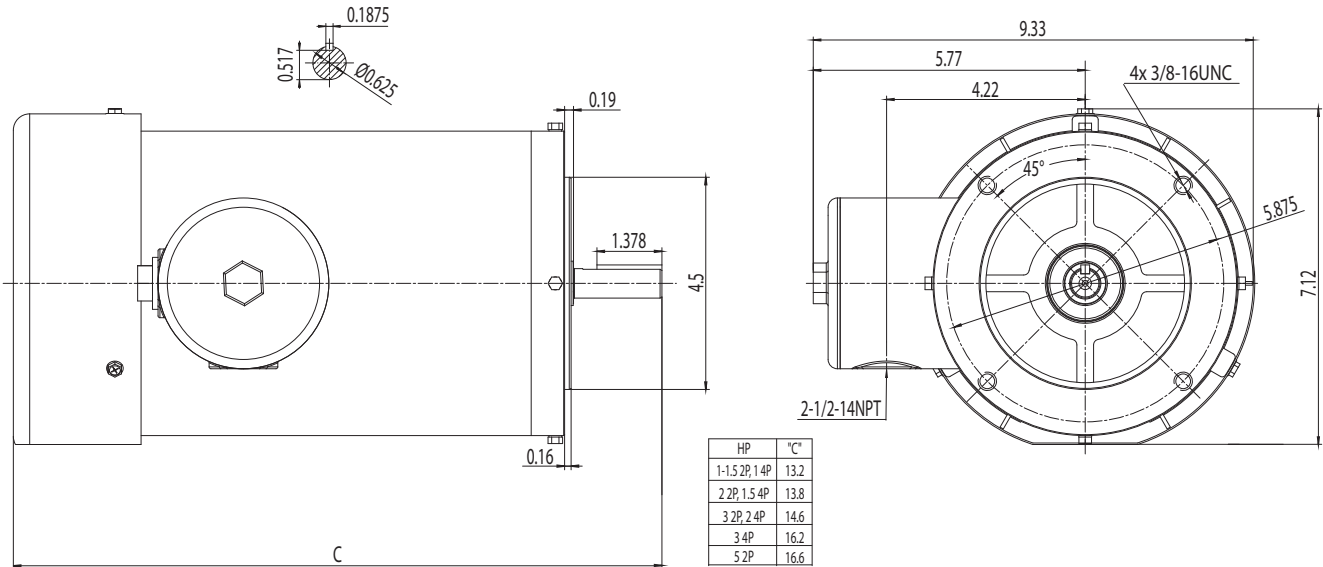
ELECTRICAL DATA		
Rated Motor Output Power	1	HP
	0.75	kW
Rated Motor Speed	1750	r/min 60Hz
	-	r/min 50Hz
Rated Motor Voltage (+/-10%)	575	V/60Hz
	-	V/50Hz
Rated Motor Current	1.23	A (I _n) @ 60Hz
	-	A (I _n) @ 50Hz
Phase	3	∅
Locked Rotor Current @ High Voltage	9.43	A (I _n) @ 60Hz
FI Current @ 208V	-	A (I _n) @ 60Hz
Service Factor	1.25	@ 60Hz
	-	@ 50Hz
KVA Code	L	60Hz
	-	50Hz
Nominal Efficiency	85.5	% @ 60Hz
Nominal Power Factor	0.71	cosΦ @ 60Hz
Leads (Qty, Size)	3	18
Connection	Y	-
Coil Resistance	-	Ω
Start Capacitor	-	μF/V
Run Capacitor	-	μF/V
VFD DUTY (S.F. 1.0)	RATIO	Hz
Variable Torque	30:1	2 - 60
Constant Torque	15:1	4 - 60
FULL LOAD TEMPERATURE RISE		
Full Load Temperature Rise	33.7	°C @ 60Hz
	-	°C @ 50Hz

GENERAL DATA		
Frame Size	56HC	
Enclosure	TEFC	
Mounting	Round Body/C-Flange	
Approximate Weight (lbs.)	42.8 lbs.	
Casing Material / Fan Cover	Stainless Steel	Stainless Steel
Shaft Material	304 SS	
NEMA Design	B	
Degree of Protection (IP)	69K	
Insulation Class / Temp Rise (60Hz)	F	B
Tropicalization	YES	
Duty	Cont. / S1	
Conduit Box Location	F1	
Feet Removable / Double Drilled	NO	YES
Paintwork	unpainted	
	unpainted	
MECHANICAL DATA		
Bearing DE Side	6205 ZZ	
Bearing ODE Side	6204 ZZ	
Grease Type	Food grade Mobilgrease™ FM 222	
Compensation Ring (wavy washer)	NDE	
Moment of Inertia (lb-ft ²)	-	
Sound Pressure @ 3 FT dBA	-	
SITE CONDITIONS		
Ambient Temperature (°C)	40	
Meters Above Sea Level (MASL)	1000	
HAZARDOUS LOCATIONS		
CSA Certified	A, B, C & D	
Temperature Code	-	-

Questions? Call 1.888.286.1820

NEMA

Model SSB0004F-C-RND
MFG PN: TSSF56HC1U4B



NAMEPLATE DATA	60Hz	50Hz
Horse Power	1	-
RPM	1750	-
Voltage	575	-
Full Load Amps	1.23	-
Service Factor	1.25	-
KVA Code	L	-
Full Load Amps (208V)	-	-
Nominal Efficiency	85.5	-
Nominal Power Factor	0.71	-
Design	B	
Frame	56HC	
Enclosure Type	TEFC	
IP Rating	69K	
Duty	Cont. / S1	
Insulation Class	F	
Ambient Rating	40	
Drive End Bearing	6205 ZZ	
Opposite Drive End Bearing	6204 ZZ	
Weight (lbs)	42.8	

NAMEPLATE LAYOUT

TECHTOP STAINLESS STEEL ELECTRIC MOTOR
 WASHDOWN DUTY BISSC CERTIFIED (IP69K)

MODEL PH 3 ENCL 60 Hz VOLT HP RPM FLA S.F KVA EFF RE

FRAME IP69K 50 Hz VOLT HP RPM FLA S.F KVA EFF RE

MFG PN SER# DATE DESIGN INS CL DUTY AMB WEIGHT lbs. DE BRG ODE BRG

CONNECTION DIAGRAM
 T1 T2 T3
 L1 L2 L3
 LINE

INVERTER DUTY
 15:1 CONSTANT TORQUE
 30:1 VARIABLE TORQUE
 @ 1.0 SERVICE FACTOR

CLASS 1, DIV 2, GROUPS A, B, C AND D COMPLIANT MADE IN CHINA

VFD DUTY (S.F. 1.0)	RATIO	Hz*
Variable Torque	30:1	2 - 60
Constant Torque	15:1	4 - 60

*For max speed please contact Techtop Canada

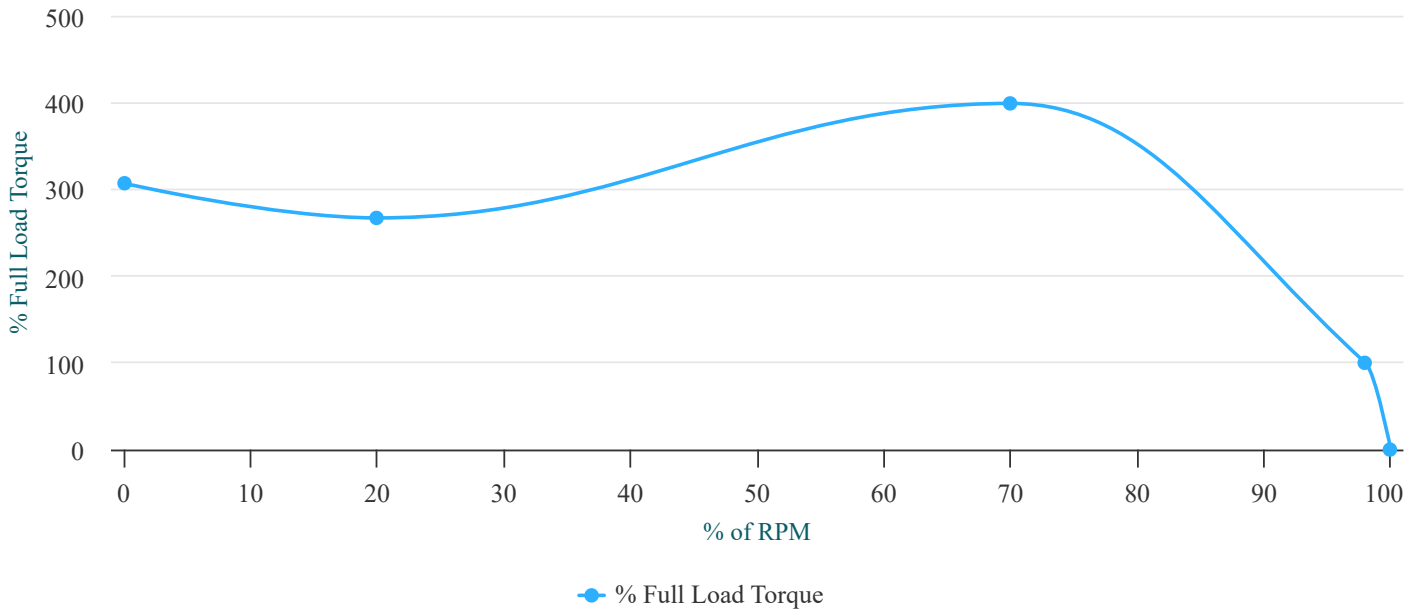
HAZARDOUS LOCATIONS	CSA COMPLIANT
Class / Division	Class I, Div. 2
Groups	A, B, C & D

Questions? Call 1.888.286.1820



Model SSB0004F-C-RND
MFG PN: TSSF56HC1U4B

Torque Speed (T-n) Curve



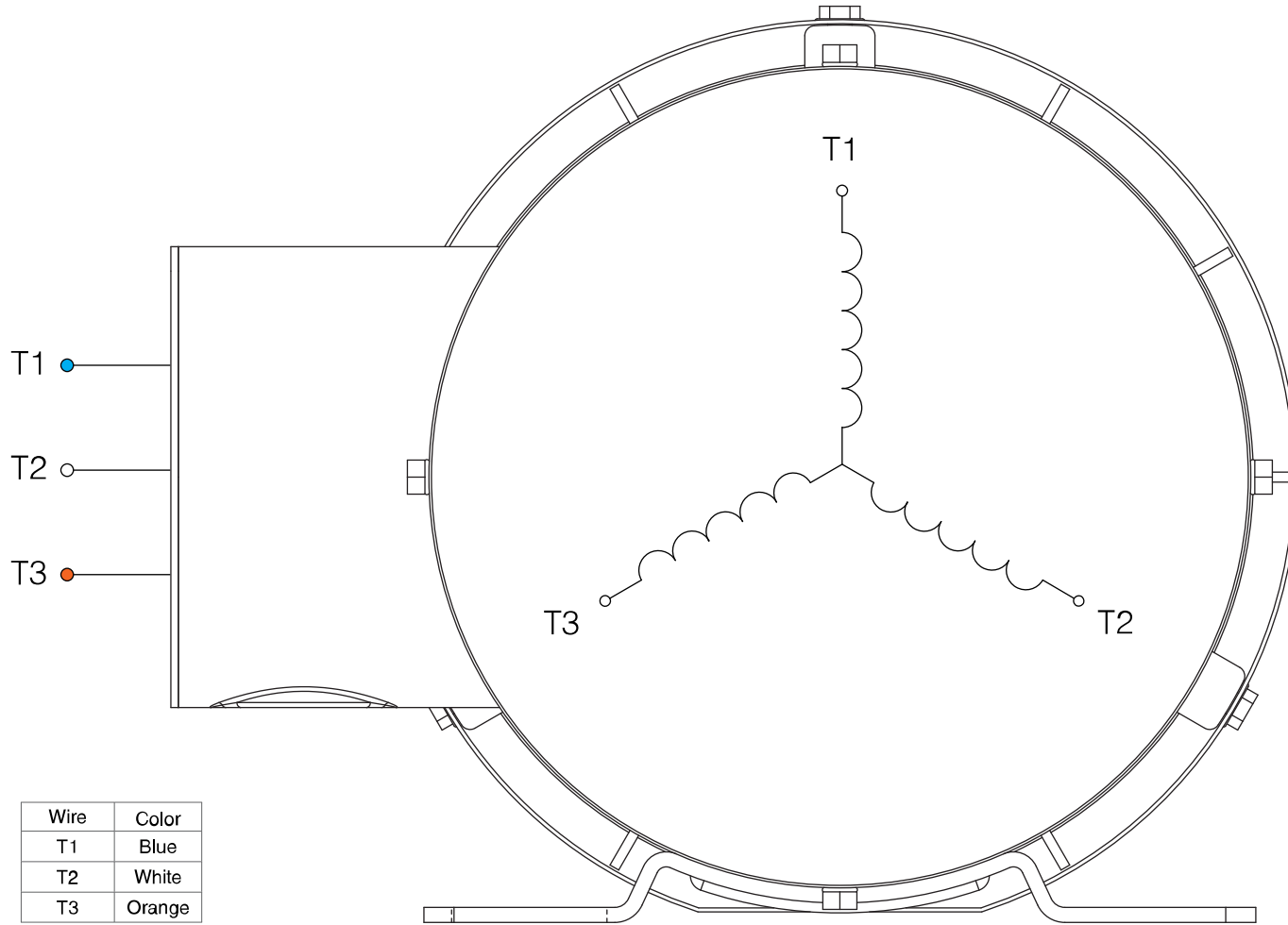
PERFORMANCE LOAD VALUES, HIGH VOLTAGE, 60Hz

TYPICAL PERFORMANCE - NOT GUARANTEED VALUES

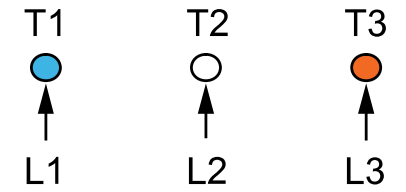
TORQUE VALUES	TORQUE (lb-ft)	TORQUE (% FULL LOAD)	PERFORMANCE VALUES	
Locked Rotor Torque	9.2	307	Start Configuration	DOL
Pull-Up Torque	8	267	Starting Current (A)	9.43
Breakdown Torque	12	399	No-Load Current (A)	0.8
Full Load Torque	3	100	No-Load Power Factor	0.09

% OF RATED LOAD	25	50	75	100	125	S.F. 1.25
Line Amperes (A)	0.9	0.9	1.1	1.2	1.4	1.4
Efficiency (%)	70.3	81	84.6	85.7	85.8	85.8
Speed (r/min)	1790	1781	1771	1761	1750	1750
Power Factor (cosΦ)	0.31	0.5	0.63	0.72	0.77	0.77
Input Power (kW)	0.27	0.46	0.67	0.87	1.09	1.09

Questions? Call 1.888.286.1820



Wire	Color
T1	Blue
T2	White
T3	Orange



SINGLE VOLTAGE

NOTES:

1. CCW ROTATION FACING ODE FOR CONNECTIONS SHOWN
2. TO REVERSE ROTATION, SWAP ANY TWO INPUT LINES
3. WHEN MOTOR IS IN F1 POSITION, LEADS INDICATED WITH "*" EXIT THE CASING ABOVE THE CENTER LINE OF THE MOTOR, THE REMAINING LEADS EXIT BELOW THE CENTER LINE
4. LEADS MUST BE NUMBERED AND COLORED AS SHOWN
5. DIAGRAMS FOR REFERENCE ONLY



NEMA 3Ø Y 3-Lead Single Voltage

DRAWING NUMBER:

NEMA-3-3-Y-SS

CONNECTION:

Y

NUMBER OF LEADS:

3

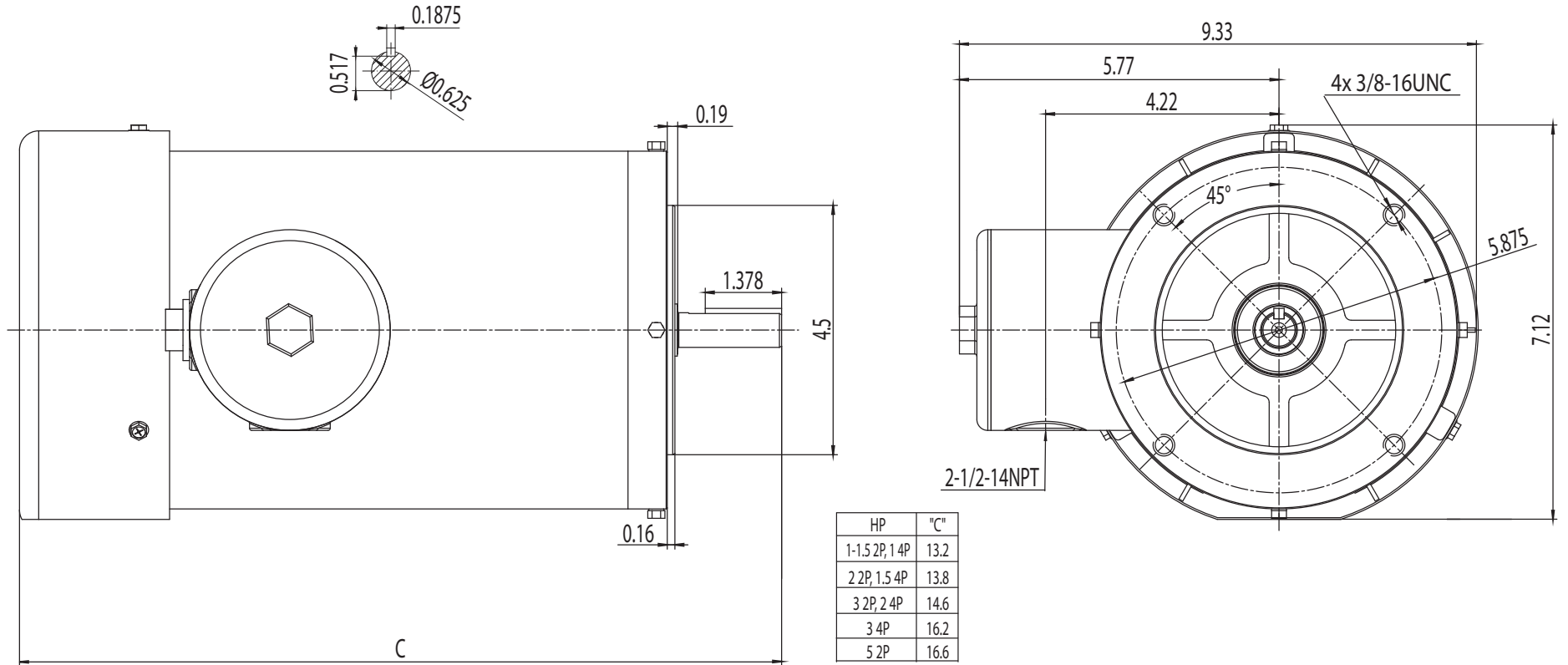
THERMAL PROTECTION:

-

ISSUED DATE

24/02/25

STAINLESS STEEL IP69K MOTORS



NEMA Premium TEFC 56HC

DRAWING NUMBER:

SS3-TF-56HC-RND

ISSUED DATE

24/02/25

DIMENSIONS:

Inches

MOUNTING:

Round Body/C-Flange

CASING MATERIAL:

Stainless Steel

STAINLESS STEEL IP69K MOTORS