

NEMA

Model **SSB0014F-C**
MFG PN: TSSF56HC1.5U4B

Model **SSB0014F-C**

Product Data Package



| MODEL | HP | RPM | VOLTAGE | PHASE | Hz | FRAME | MOUNT | ENCLOSURE |
|------------|-----|------|---------|-------|----|-------|----------------|-----------|
| SSB0014F-C | 1.5 | 1750 | 575 | 3 | 60 | 56HC | Rigid/C-Flange | TEFC |

Toronto

TOLL FREE 1.888.286.1820
PHONE 905.829.1001
EMAIL info@techttopcanada.com

Montreal

TOLL FREE 1.844.354.5111
PHONE 514.354.1002
EMAIL infoQC@techttopcanada.com

Moncton

PHONE 506.386.5794
EMAIL infoNB@techttopcanada.com

Winnipeg

PHONE 204.633.2779
EMAIL infoMB@techttopcanada.com

Vancouver

PHONE 604.525.1551
EMAIL infoBC@techttopcanada.com



Index

| | |
|-------------------------------|-----|
| Motor General Data Sheet | P 2 |
| Nameplate Information | P 3 |
| Technical Performance Data | P 4 |
| Motor General Wiring Diagram | P 5 |
| Motor General Outline Drawing | P 6 |



Model SSB0014F-C
MFG PN: TSSF56HC1.5U4B

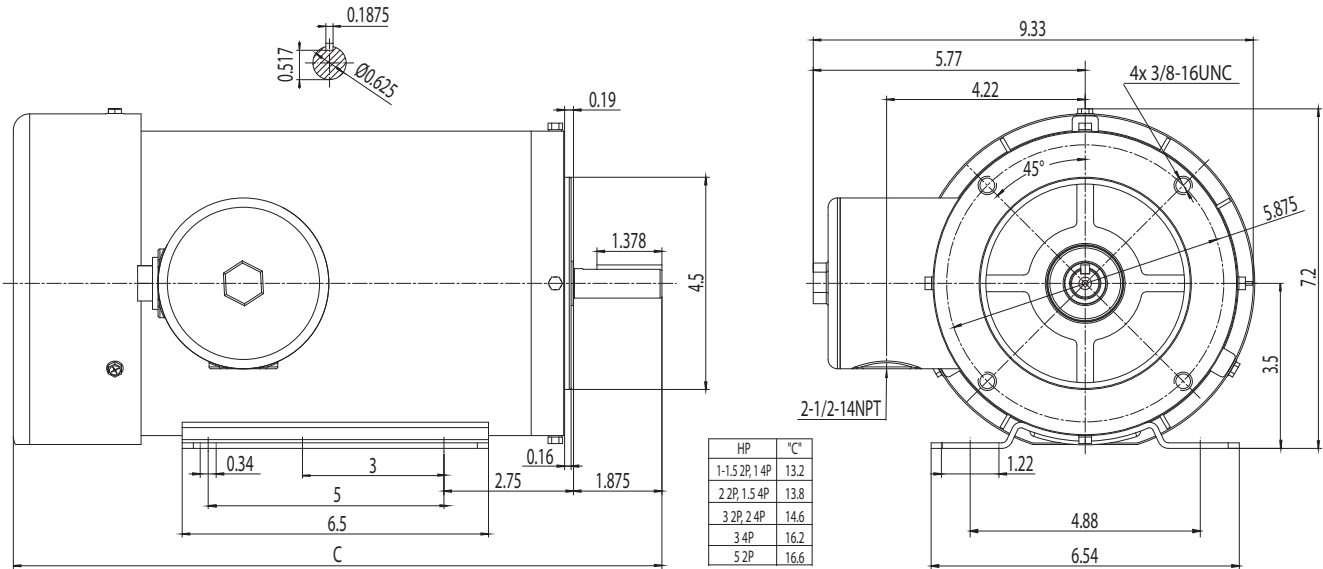
| ELECTRICAL DATA | | |
|-------------------------------------|-------|----------------------------|
| Rated Motor Output Power | 1.5 | HP |
| | 1.1 | kW |
| Rated Motor Speed | 1750 | r/min 60Hz |
| | - | r/min 50Hz |
| Rated Motor Voltage (+/-10%) | 575 | V/60Hz |
| | - | V/50Hz |
| Rated Motor Current | 1.78 | A (I _n) @ 60Hz |
| | - | A (I _n) @ 50Hz |
| Phase | 3 | ∅ |
| Locked Rotor Current @ High Voltage | 13.28 | A (I _n) @ 60Hz |
| FI Current @ 208V | - | A (I _n) @ 60Hz |
| Service Factor | 1.25 | @ 60Hz |
| | - | @ 50Hz |
| KVA Code | K | 60Hz |
| | - | 50Hz |
| Nominal Efficiency | 86.5 | % @ 60Hz |
| Nominal Power Factor | 0.73 | cosΦ @ 60Hz |
| Leads (Qty, Size) | 3 | 18 |
| Connection | Y | - |
| Coil Resistance | - | Ω |
| Start Capacitor | - | μF/V |
| Run Capacitor | - | μF/V |
| VFD DUTY (S.F. 1.0) | | |
| | RATIO | Hz |
| Variable Torque | 30:1 | 2 - 60 |
| Constant Torque | 15:1 | 4 - 60 |
| FULL LOAD TEMPERATURE RISE | | |
| Full Load Temperature Rise | 49.1 | °C @ 60Hz |
| | - | °C @ 50Hz |

| GENERAL DATA | | |
|---|--------------------------------|-----------------|
| Frame Size | 56HC | |
| Enclosure | TEFC | |
| Mounting | Rigid/C-Flange | |
| Approximate Weight (lbs.) | 48.7 lbs. | |
| Casing Material / Fan Cover | Stainless Steel | Stainless Steel |
| Shaft Material | 304 SS | |
| NEMA Design | B | |
| Degree of Protection (IP) | 69K | |
| Insulation Class / Temp Rise (60Hz) | F | B |
| Tropicalization | YES | |
| Duty | Cont. / S1 | |
| Conduit Box Location | F1 | |
| Feet Removable / Double Drilled | NO | YES |
| Paintwork | unpainted | |
| | unpainted | |
| MECHANICAL DATA | | |
| Bearing DE Side | 6205 ZZ | |
| Bearing ODE Side | 6204 ZZ | |
| Grease Type | Food grade Mobilgrease™ FM 222 | |
| Compensation Ring (wavy washer) | NDE | |
| Moment of Inertia (lb-ft ²) | - | |
| Sound Pressure @ 3 FT dBA | - | |
| SITE CONDITIONS | | |
| Ambient Temperature (°C) | 40 | |
| Meters Above Sea Level (MASL) | 1000 | |
| HAZARDOUS LOCATIONS | | |
| CSA Certified | A, B, C & D | |
| Temperature Code | - | - |

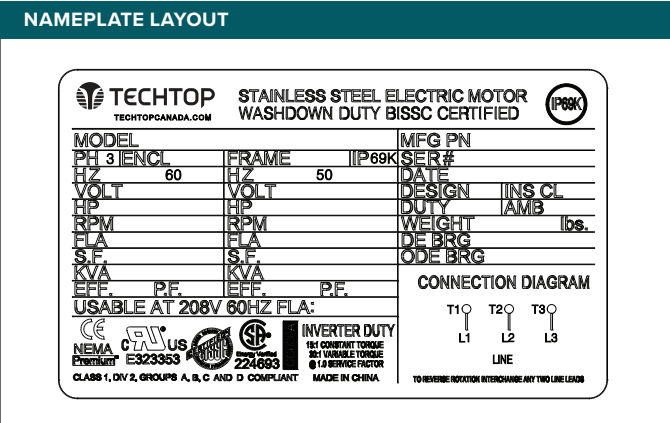
Questions? Call 1.888.286.1820

NEMA

Model SSB0014F-C
 MFG PN: TSSF56HC1.5U4B



| NAMEPLATE DATA | 60Hz | 50Hz |
|----------------------------|------------|------|
| Horse Power | 1.5 | - |
| RPM | 1750 | - |
| Voltage | 575 | - |
| Full Load Amps | 1.78 | - |
| Service Factor | 1.25 | - |
| KVA Code | K | - |
| Full Load Amps (208V) | - | - |
| Nominal Efficiency | 86.5 | - |
| Nominal Power Factor | 0.73 | - |
| Design | B | |
| Frame | 56HC | |
| Enclosure Type | TEFC | |
| IP Rating | 69K | |
| Duty | Cont. / S1 | |
| Insulation Class | F | |
| Ambient Rating | 40 | |
| Drive End Bearing | 6205 ZZ | |
| Opposite Drive End Bearing | 6204 ZZ | |
| Weight (lbs) | 48.7 | |



| VFD DUTY (S.F. 1.0) | RATIO | Hz* |
|---------------------|-------|--------|
| Variable Torque | 30:1 | 2 - 60 |
| Constant Torque | 15:1 | 4 - 60 |

*For max speed please contact Techtop Canada

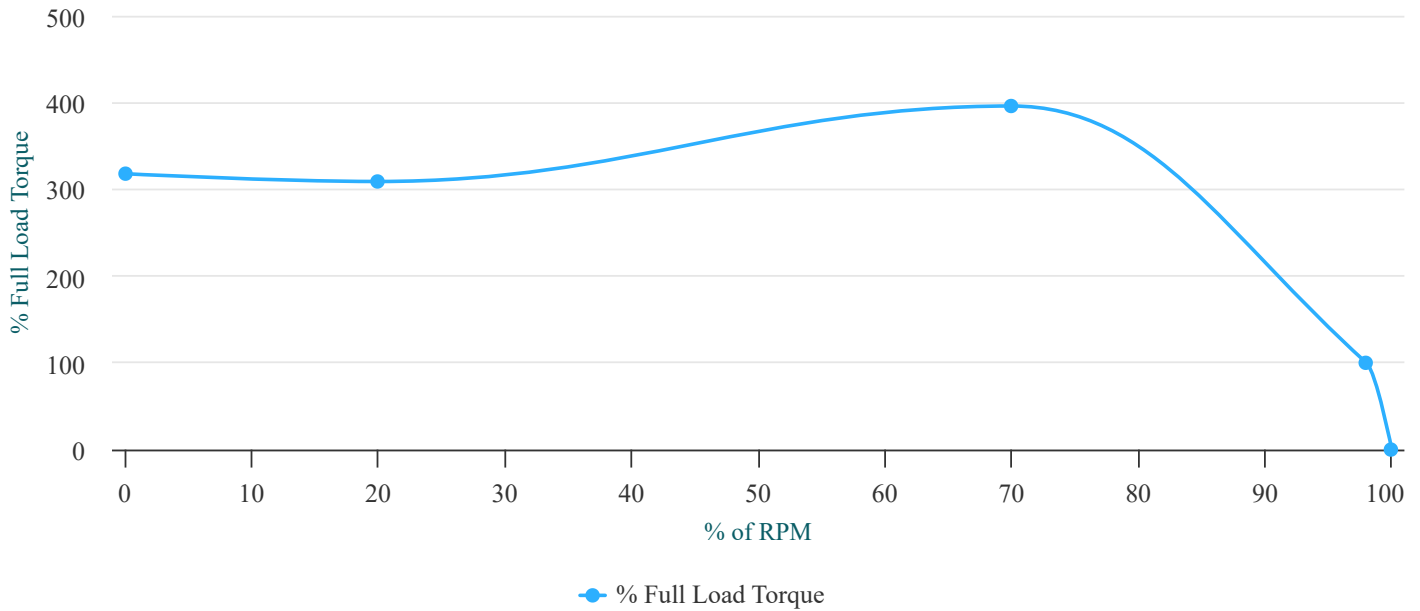
| HAZARDOUS LOCATIONS | CSA COMPLIANT |
|---------------------|-----------------|
| Class / Division | Class I, Div. 2 |
| Groups | A, B, C & D |

Questions? Call 1.888.286.1820



Model SSB0014F-C
 MFG PN: TSSF56HC1.5U4B

Torque Speed (T-n) Curve



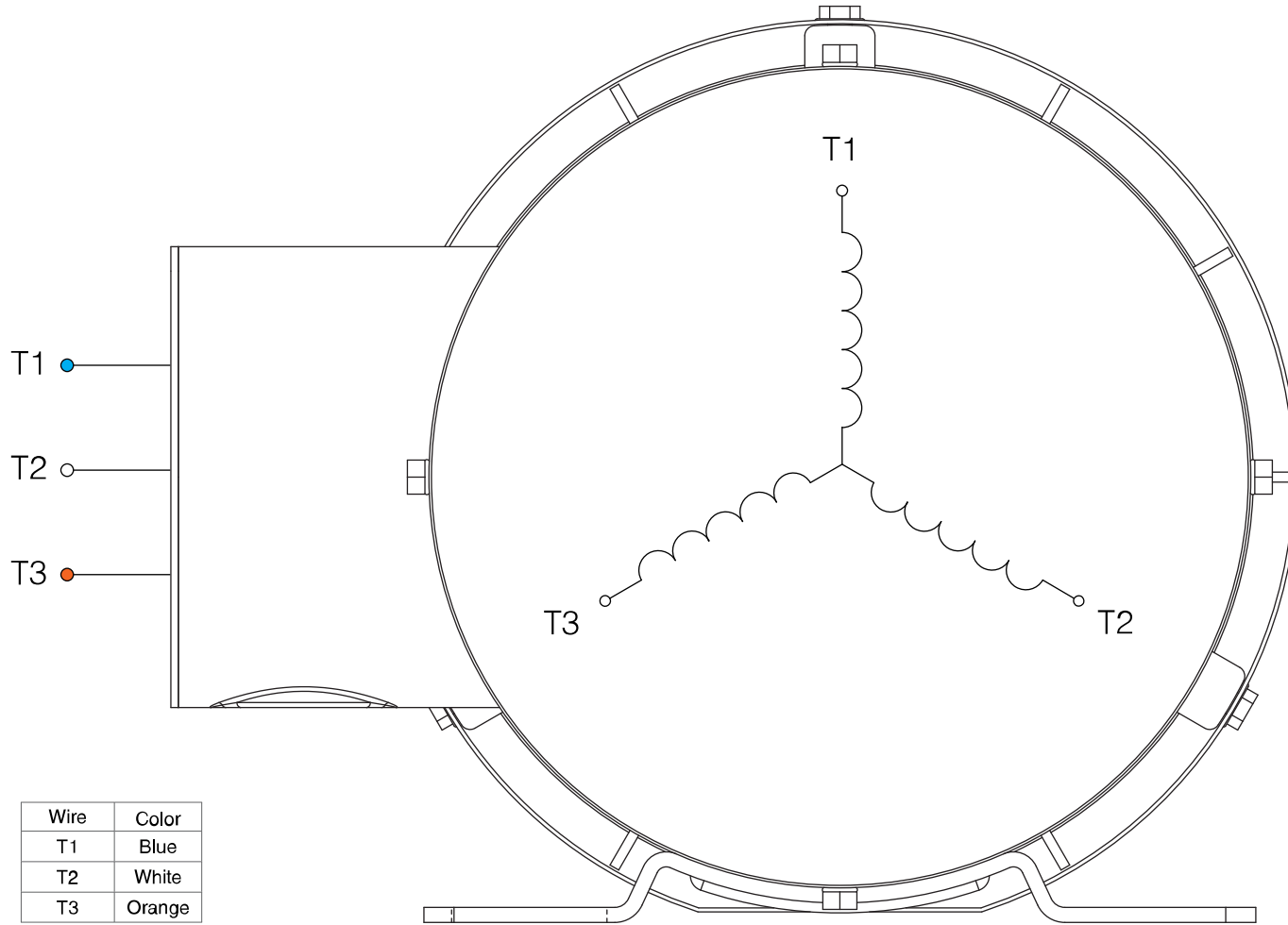
PERFORMANCE LOAD VALUES, HIGH VOLTAGE, 60Hz

TYPICAL PERFORMANCE - NOT GUARANTEED VALUES

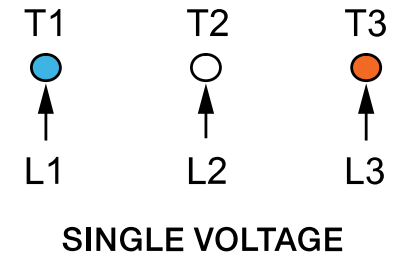
| TORQUE VALUES | TORQUE (lb-ft) | TORQUE (% FULL LOAD) | PERFORMANCE VALUES | |
|---------------------|----------------|----------------------|----------------------|-------|
| Locked Rotor Torque | 14.3 | 318 | Start Configuration | DOL |
| Pull-Up Torque | 13.9 | 309 | Starting Current (A) | 13.28 |
| Breakdown Torque | 17.8 | 396 | No-Load Current (A) | 1.1 |
| Full Load Torque | 4.5 | 100 | No-Load Power Factor | 0.08 |

| % OF RATED LOAD | 25 | 50 | 75 | 100 | 125 | S.F. 1.25 |
|---------------------|------|------|------|------|------|-----------|
| Line Amperes (A) | 1.2 | 1.3 | 1.5 | 1.7 | 2 | 2 |
| Efficiency (%) | 74.4 | 83.5 | 86 | 86.4 | 85.8 | 85.8 |
| Speed (r/min) | 1787 | 1774 | 1761 | 1746 | 1730 | 1730 |
| Power Factor (cosΦ) | 0.32 | 0.51 | 0.65 | 0.74 | 0.8 | 0.8 |
| Input Power (kW) | 0.37 | 0.66 | 0.96 | 1.27 | 1.6 | 1.6 |

Questions? Call 1.888.286.1820



| Wire | Color |
|------|--------|
| T1 | Blue |
| T2 | White |
| T3 | Orange |



NOTES:

1. CCW ROTATION FACING ODE FOR CONNECTIONS SHOWN
2. TO REVERSE ROTATION, SWAP ANY TWO INPUT LINES
3. WHEN MOTOR IS IN F1 POSITION, LEADS INDICATED WITH "*" EXIT THE CASING ABOVE THE CENTER LINE OF THE MOTOR, THE REMAINING LEADS EXIT BELOW THE CENTER LINE
4. LEADS MUST BE NUMBERED AND COLORED AS SHOWN
5. DIAGRAMS FOR REFERENCE ONLY



NEMA 3Ø Y 3-Lead Single Voltage

DRAWING NUMBER:

NEMA-3-3-Y-SS

CONNECTION:

Y

NUMBER OF LEADS:

3

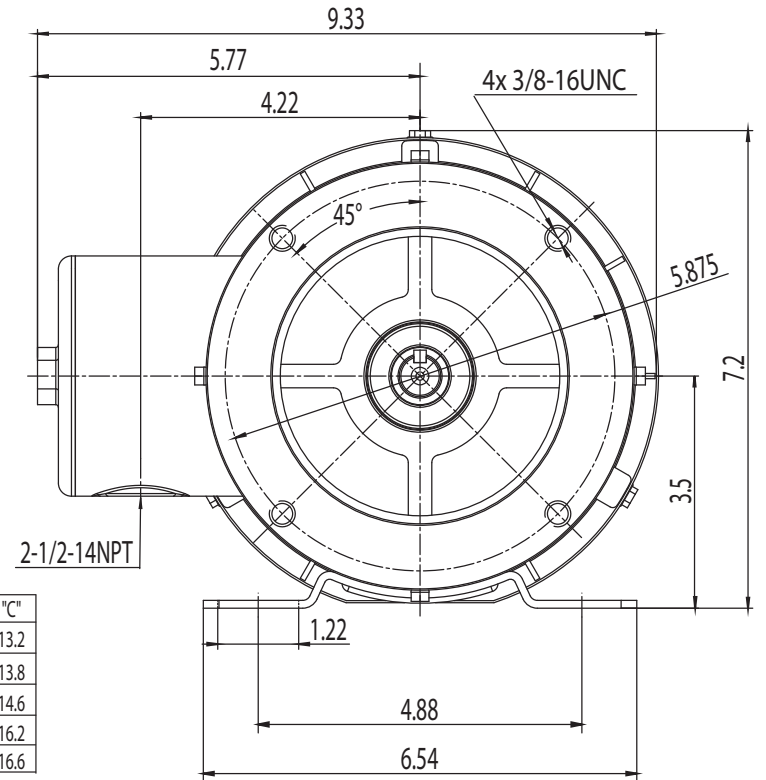
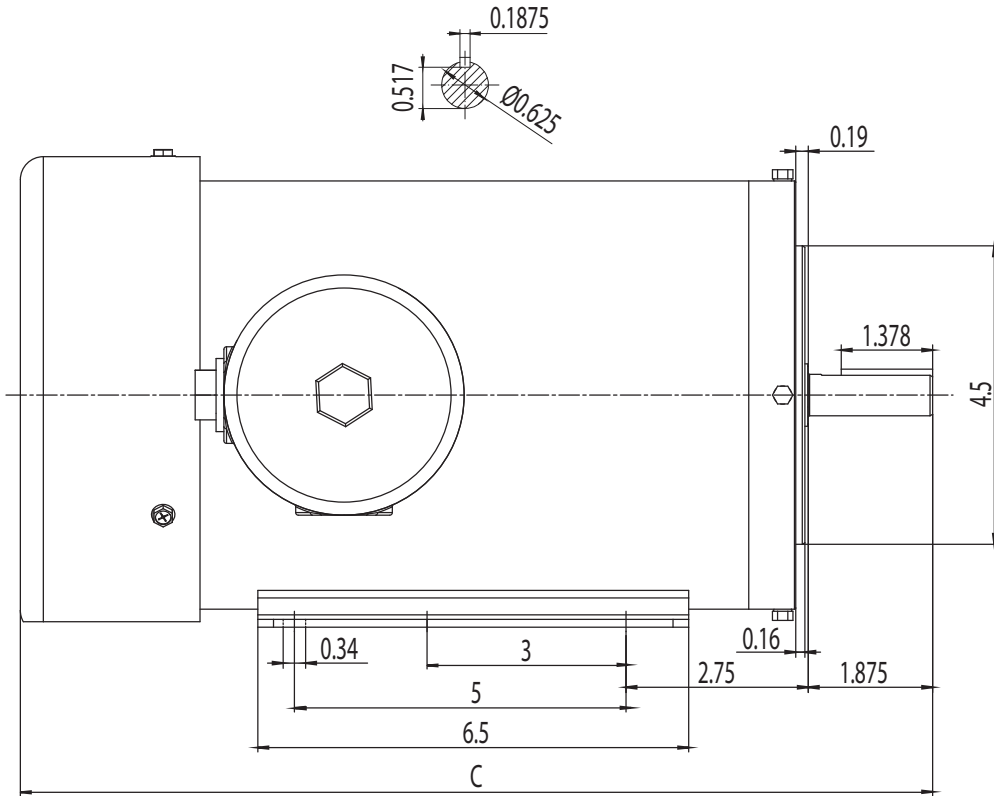
THERMAL PROTECTION:

-

ISSUED DATE

24/02/25

STAINLESS STEEL IP69K MOTORS



| HP | "C" |
|----------------|------|
| 1-1.5 2P, 1 4P | 13.2 |
| 2 2P, 1.5 4P | 13.8 |
| 3 2P, 2 4P | 14.6 |
| 3 4P | 16.2 |
| 5 2P | 16.6 |



NEMA Premium TEFC 56HC

DRAWING NUMBER:

SS3-TF-56HC

ISSUED DATE

24/02/25

DIMENSIONS:

Inches

MOUNTING:

Rigid/C-Flange

CASING MATERIAL:

Stainless Steel

STAINLESS STEEL IP69K MOTORS