

NEMA

Model SSBN.504D-C-RND
 MFG PN: TSSN56C1/2U4B

Model **SSBN.504D-C-RND**

Product Data Package



MODEL	HP	RPM	VOLTAGE	PHASE	Hz	FRAME	MOUNT	ENCLOSURE
SSBN.504D-C-RND	0.5	1760	230/460	3	60	56C	Round Body/C-Flange	TENV

Toronto

TOLL FREE 1.888.286.1820
PHONE 905.829.1001
EMAIL info@techttopcanada.com

Montreal

TOLL FREE 1.844.354.5111
PHONE 514.354.1002
EMAIL infoQC@techttopcanada.com

Moncton

PHONE 506.386.5794
EMAIL infoNB@techttopcanada.com

Winnipeg

PHONE 204.633.2779
EMAIL infoMB@techttopcanada.com

Vancouver

PHONE 604.525.1551
EMAIL infoBC@techttopcanada.com



Index

Motor General Data Sheet	P 2
Nameplate Information	P 3
Technical Performance Data	P 4
Motor General Wiring Diagram	P 5
Motor General Outline Drawing	P 6



Model SSBN.504D-C-RND
MFG PN: TSSN56C1/2U4B

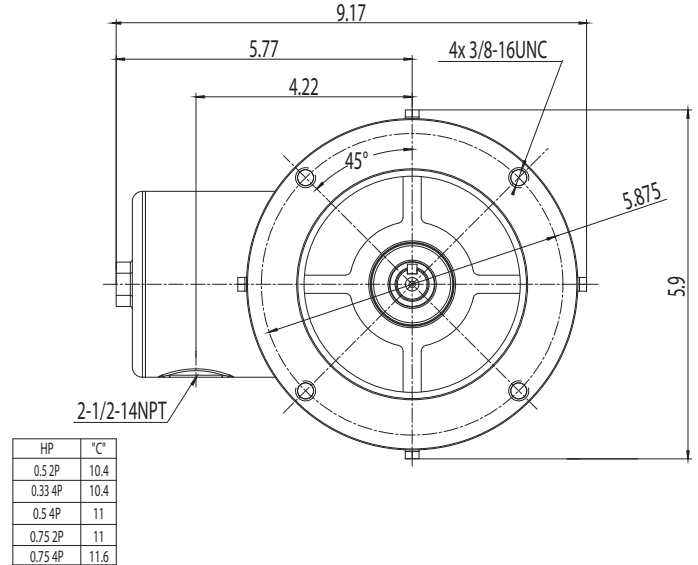
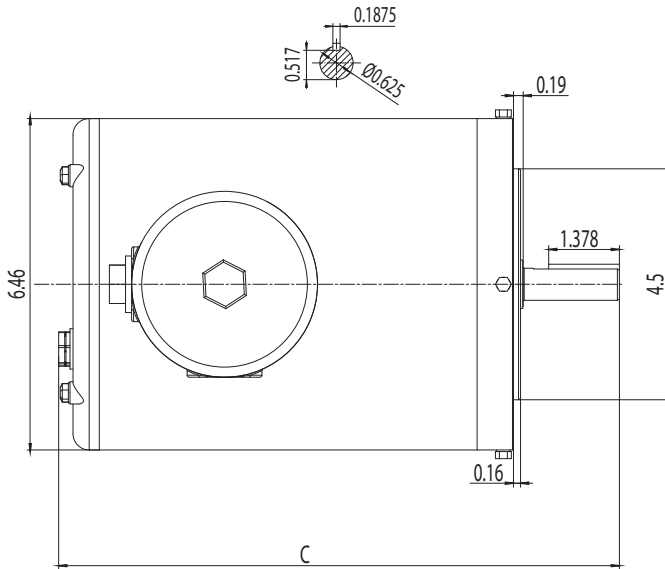
ELECTRICAL DATA		
Rated Motor Output Power	0.5	HP
	0.37	kW
Rated Motor Speed	1760	r/min 60Hz
	1450	r/min 50Hz
Rated Motor Voltage (+/-10%)	230/460	V/60Hz
	190/380	V/50Hz
Rated Motor Current	1.64/0.82	A (I _n) @ 60Hz
	1.83/0.92	A (I _n) @ 50Hz
Phase	3	∅
Locked Rotor Current @ High Voltage	7.43	A (I _n) @ 60Hz
FI Current @ 208V	1.81	A (I _n) @ 60Hz
Service Factor	1.25	@ 60Hz
	1	@ 50Hz
KVA Code	N	60Hz
	K	50Hz
Nominal Efficiency	84	% @ 60Hz
Nominal Power Factor	0.68	cosΦ @ 60Hz
Leads (Qty, Size)	9	18
Connection	YY/Y	-
Coil Resistance	-	Ω
Start Capacitor	-	μF/V
Run Capacitor	-	μF/V
VFD DUTY (S.F. 1.0)		
	RATIO	Hz
Variable Torque	30:1	2 - 60
Constant Torque	15:1	4 - 60
FULL LOAD TEMPERATURE RISE		
Full Load Temperature Rise	37.5	°C @ 60Hz
	-	°C @ 50Hz

GENERAL DATA		
Frame Size	56C	
Enclosure	TENV	
Mounting	Round Body/C-Flange	
Approximate Weight (lbs.)	37.7 lbs.	
Casing Material / Fan Cover	Stainless Steel	Stainless Steel
Shaft Material	304 SS	
NEMA Design	B	
Degree of Protection (IP)	69K	
Insulation Class / Temp Rise (60Hz)	F	B
Tropicalization	YES	
Duty	Cont. / S1	
Conduit Box Location	F1	
Feet Removable / Double Drilled	NO	NO
Paintwork	unpainted	
	unpainted	
MECHANICAL DATA		
Bearing DE Side	6205 ZZ	
Bearing ODE Side	6204 ZZ	
Grease Type	Food grade Mobilgrease™ FM 222	
Compensation Ring (wavy washer)	NDE	
Moment of Inertia (lb-ft ²)	-	
Sound Pressure @ 3 FT dBA	-	
SITE CONDITIONS		
Ambient Temperature (°C)	40	
Meters Above Sea Level (MASL)	1000	
HAZARDOUS LOCATIONS		
CSA Certified	A, B, C & D	
Temperature Code	-	-

Questions? Call 1.888.286.1820

NEMA

Model SSBN.504D-C-RND
MFG PN: TSSN56C1/2U4B



NAMEPLATE DATA	60Hz	50Hz
Horse Power	0.5	0.5
RPM	1760	1450
Voltage	230/460	190/380
Full Load Amps	1.64/0.82	1.83/0.92
Service Factor	1.25	1
KVA Code	N	K
Full Load Amps (208V)	1.81	-
Nominal Efficiency	84	83.5
Nominal Power Factor	0.68	0.74
Design	B	
Frame	56C	
Enclosure Type	TENV	
IP Rating	69K	
Duty	Cont. / S1	
Insulation Class	F	
Ambient Rating	40	
Drive End Bearing	6205 ZZ	
Opposite Drive End Bearing	6204 ZZ	
Weight (lbs)	37.7	

NAMEPLATE LAYOUT

TECHTOP STAINLESS STEEL ELECTRIC MOTOR
 WASHDOWN DUTY BISSC CERTIFIED (IP69K)

MODEL PH 3 ENCL 60 HZ VOLT HP RPM FLA S.F. KVA EFF. P.F. FRAME IP69K 50 HZ VOLT HP RPM FLA S.F. KVA EFF. P.F. MFG PN SER # DATE DESIGN DUTY AMB lbs. DE BRG ODE BRG

CONNECTION DIAGRAM
 LOW VOLTAGE: T4 T5 T6 T7 T8 T9
 HIGH VOLTAGE: T10 T11 T12 T13 T14 T15 T16 T17 T18 T19 T20

USABLE AT 208V 60HZ FLA:
 NEMA Premium E323953 IEC 224683 INVERTER DUTY 15:1 CONSTANT TORQUE 10:1 VARIABLE TORQUE @ 1.0 SERVICE FACTOR CLASS 1, DIV 2, GROUPS A, B, C AND D COMPLIANT MADE IN CHINA

VFD DUTY (S.F. 1.0)	RATIO	Hz*
Variable Torque	30:1	2 - 60
Constant Torque	15:1	4 - 60

*For max speed please contact Techtop Canada

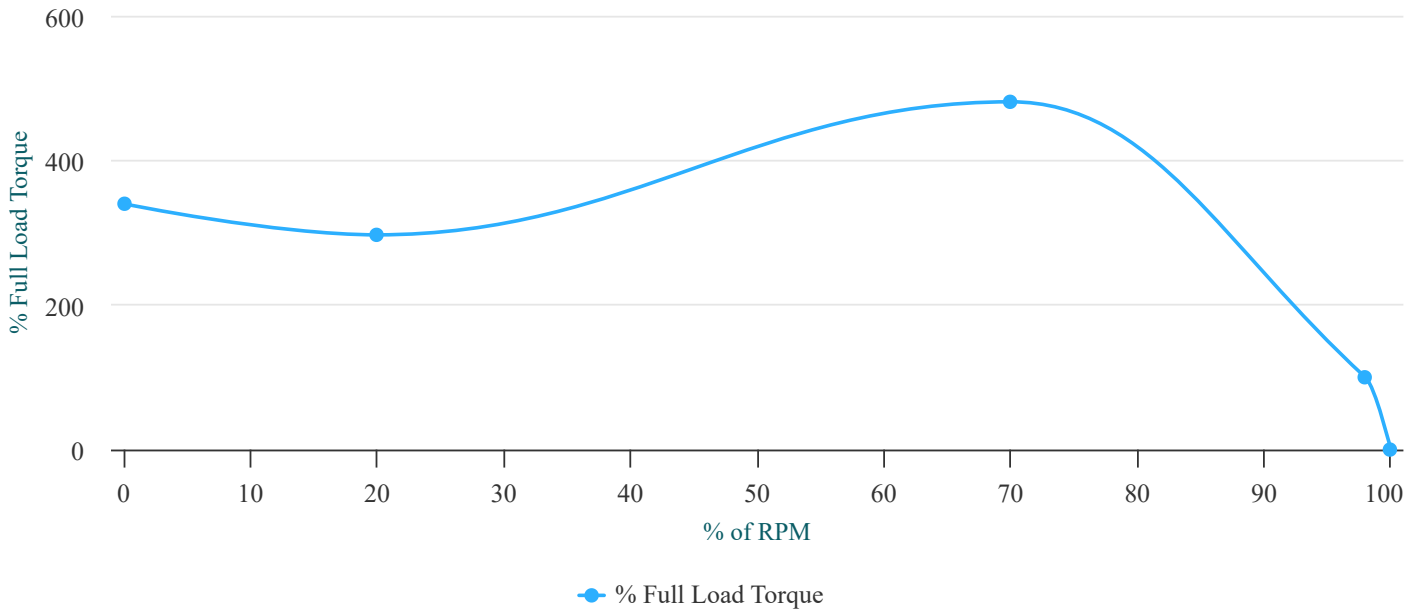
HAZARDOUS LOCATIONS	CSA COMPLIANT
Class / Division	Class 1, Div. 2
Groups	A, B, C & D

Questions? Call 1.888.286.1820

NEMA

Model SSBN.504D-C-RND
 MFG PN: TSSN56C1/2U4B

Torque Speed (T-n) Curve



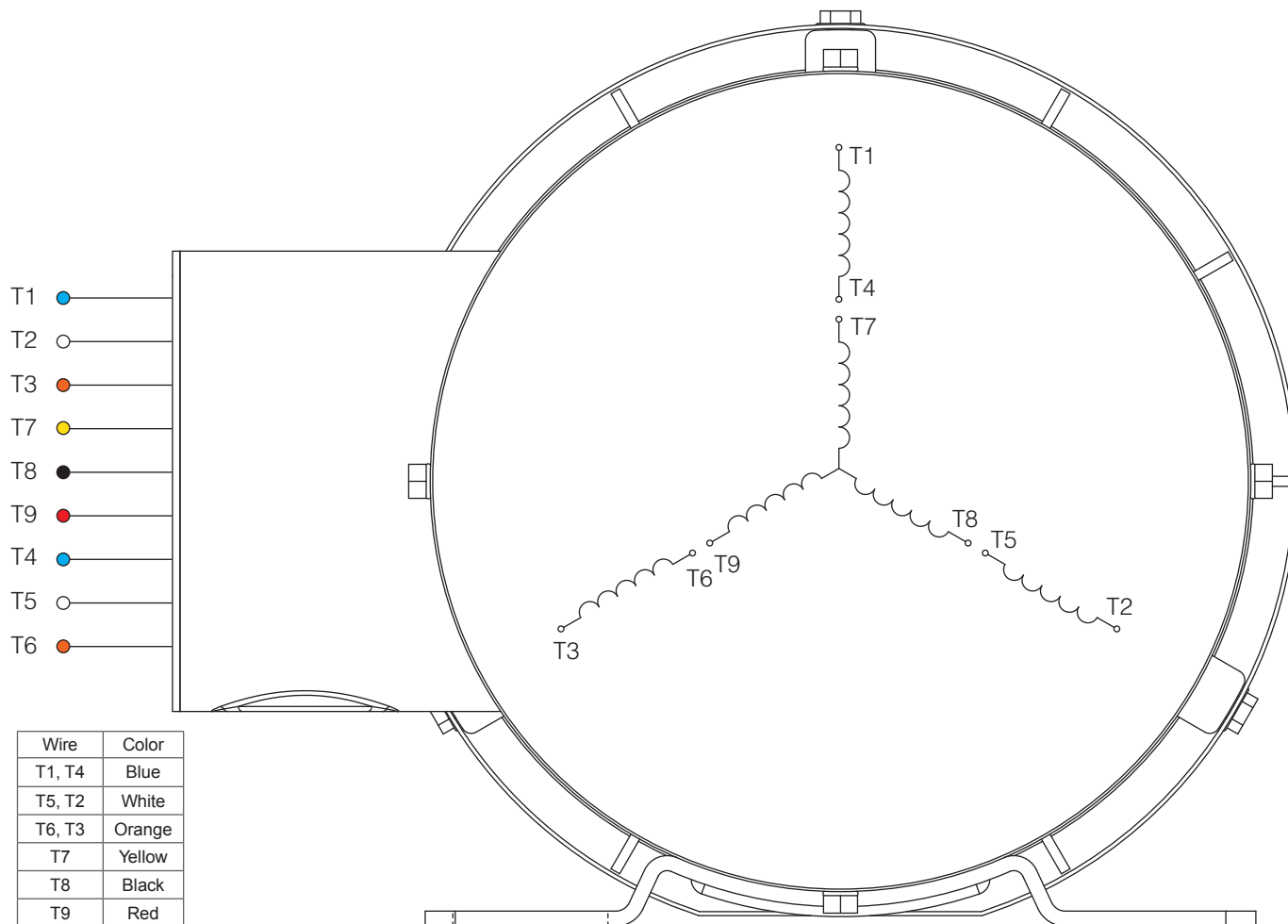
PERFORMANCE LOAD VALUES, HIGH VOLTAGE, 60Hz

TYPICAL PERFORMANCE - NOT GUARANTEED VALUES

TORQUE VALUES	TORQUE (lb-ft)	TORQUE (% FULL LOAD)	PERFORMANCE VALUES	
Locked Rotor Torque	5.1	340	Start Configuration	DOL
Pull-Up Torque	4.4	297	Starting Current (A)	7.43
Breakdown Torque	7.2	481	No-Load Current (A)	0.6
Full Load Torque	1.5	100	No-Load Power Factor	0.1

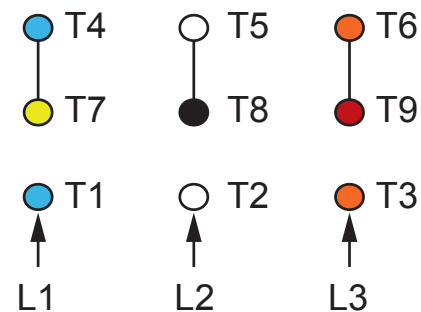
% OF RATED LOAD	25	50	75	100	125	S.F. 1.25
Line Amperes (A)	0.6	0.6	0.7	0.8	0.9	0.9
Efficiency (%)	65.6	77.7	82.3	84.2	85	85
Speed (r/min)	1792	1785	1778	1770	1762	1762
Power Factor (cosΦ)	0.31	0.47	0.59	0.69	0.75	0.75
Input Power (kW)	0.14	0.24	0.34	0.45	0.55	0.55

Questions? Call 1.888.286.1820

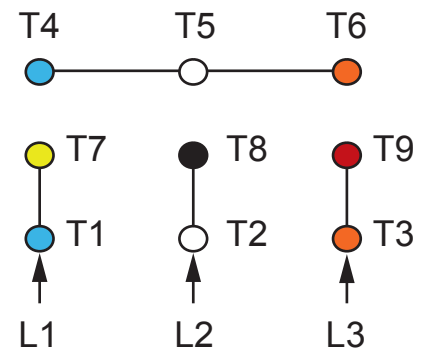


- T1 ●
- T2 ○
- T3 ●
- T7 ●
- T8 ●
- T9 ●
- T4 ●
- T5 ○
- T6 ●

Wire	Color
T1, T4	Blue
T5, T2	White
T6, T3	Orange
T7	Yellow
T8	Black
T9	Red



HIGH VOLTAGE (Y)



LOW VOLTAGE (YY)

NOTES:

1. CCW ROTATION FACING ODE FOR CONNECTIONS SHOWN
2. TO REVERSE ROTATION, SWAP ANY TWO INPUT LINES
3. WHEN MOTOR IS IN F1 POSITION, LEADS INDICATED WITH "*" EXIT THE CASING ABOVE THE CENTER LINE OF THE MOTOR, THE REMAINING LEADS EXIT BELOW THE CENTER LINE
4. LEADS MUST BE NUMBERED AND COLORED AS SHOWN
5. DIAGRAMS FOR REFERENCE ONLY



NEMA 3Ø YY/Y 9-Lead Dual Voltage

DRAWING NUMBER:

NEMA-3-9-YY-Y-SS

CONNECTION:

YY/Y

NUMBER OF LEADS:

9

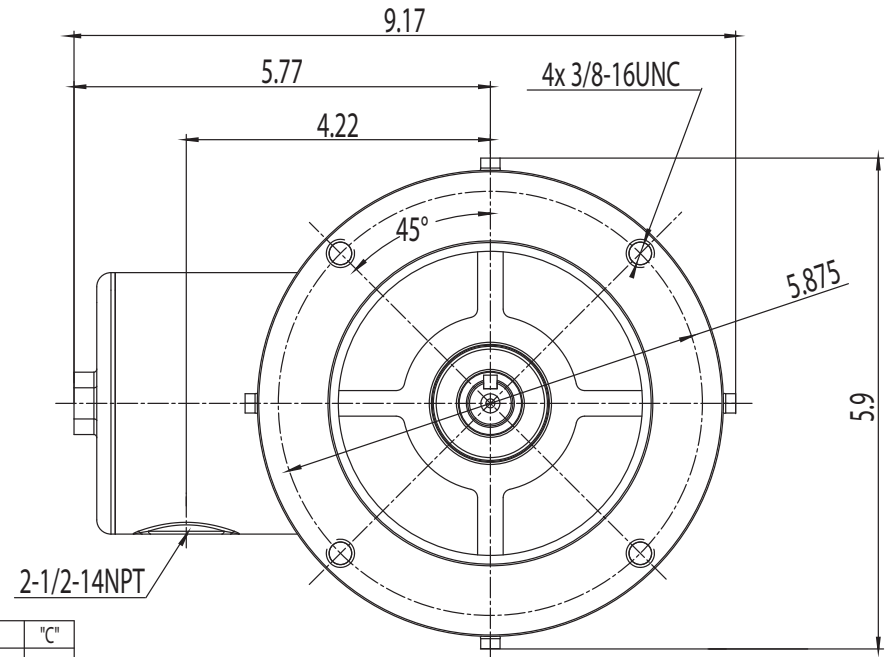
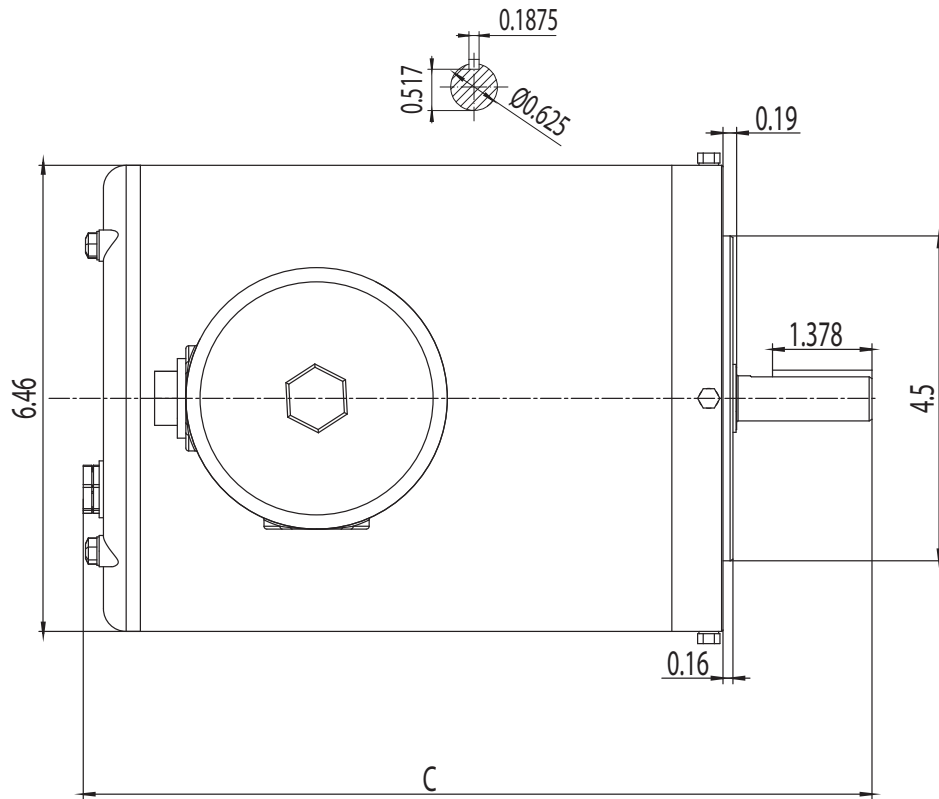
THERMAL PROTECTION:

-

ISSUED DATE

24/02/25

STAINLESS STEEL IP69K MOTORS



HP	"C"
0.5 2P	10.4
0.33 4P	10.4
0.5 4P	11
0.75 2P	11
0.75 4P	11.6



NEMA Premium TENV 56C

DRAWING NUMBER:

SS3-NV-56C-RND

DIMENSIONS:

Inches

MOUNTING:

Round Body/C-Flange

CASING MATERIAL:

Stainless Steel

ISSUED DATE

24/02/25

STAINLESS STEEL IP69K MOTORS