

**NEMA**

Model **SSBN.754F-C-RND**  
 MFG PN: TSSN56C3/4U4B

# Model **SSBN.754F-C-RND**

## Product Data Package



MODEL	HP	RPM	VOLTAGE	PHASE	Hz	FRAME	MOUNT	ENCLOSURE
SSBN.754F-C-RND	0.75	1760	575	3	60	56C	Round Body/C-Flange	TENV

### Toronto

TOLL FREE 1.888.286.1820  
 PHONE 905.829.1001  
 EMAIL info@techttopcanada.com

### Montreal

TOLL FREE 1.844.354.5111  
 PHONE 514.354.1002  
 EMAIL infoQC@techttopcanada.com

### Moncton

PHONE 506.386.5794  
 EMAIL infoNB@techttopcanada.com

### Winnipeg

PHONE 204.633.2779  
 EMAIL infoMB@techttopcanada.com

### Vancouver

PHONE 604.525.1551  
 EMAIL infoBC@techttopcanada.com



### Index

Motor General Data Sheet	P 2
Nameplate Information	P 3
Technical Performance Data	P 4
Motor General Wiring Diagram	P 5
Motor General Outline Drawing	P 6



**Model SSBN.754F-C-RND**  
**MFG PN: TSSN56C3/4U4B**

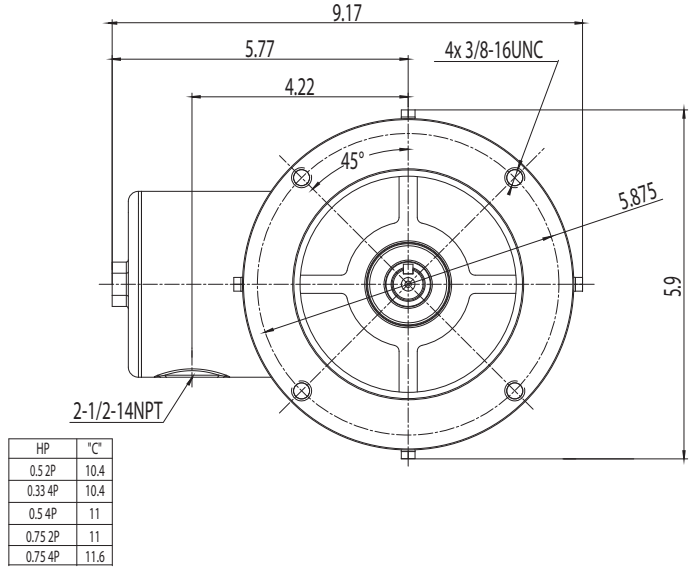
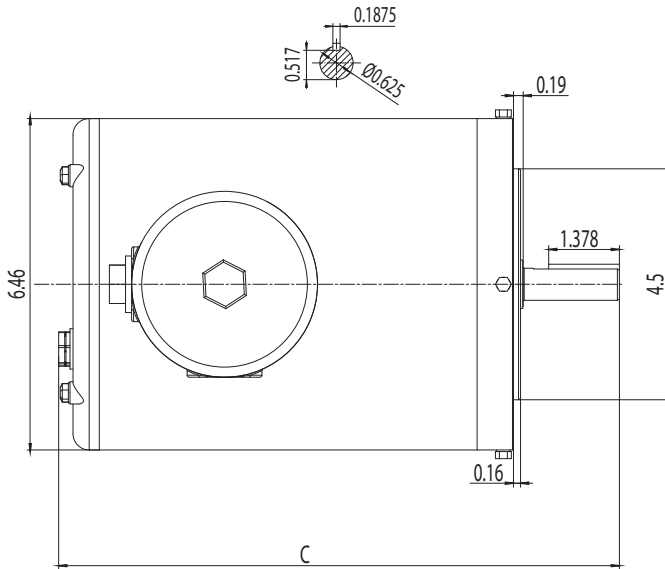
ELECTRICAL DATA		
Rated Motor Output Power	0.75	HP
	0.55	kW
Rated Motor Speed	1760	r/min 60Hz
	-	r/min 50Hz
Rated Motor Voltage (+/-10%)	575	V/60Hz
	-	V/50Hz
Rated Motor Current	0.97	A (I <sub>n</sub> ) @ 60Hz
	-	A (I <sub>n</sub> ) @ 50Hz
Phase	3	∅
Locked Rotor Current @ High Voltage	8.05	A (I <sub>n</sub> ) @ 60Hz
FI Current @ 208V	-	A (I <sub>n</sub> ) @ 60Hz
Service Factor	1.25	@ 60Hz
	-	@ 50Hz
KVA Code	N	60Hz
	-	50Hz
Nominal Efficiency	85.5	% @ 60Hz
Nominal Power Factor	0.68	cosΦ @ 60Hz
Leads (Qty, Size)	3	18
Connection	Y	-
Coil Resistance	-	Ω
Start Capacitor	-	μF/V
Run Capacitor	-	μF/V
VFD DUTY (S.F. 1.0)		
	RATIO	Hz
Variable Torque	30:1	2 - 60
Constant Torque	15:1	4 - 60
FULL LOAD TEMPERATURE RISE		
Full Load Temperature Rise	50.1	°C @ 60Hz
	-	°C @ 50Hz

GENERAL DATA		
Frame Size	56C	
Enclosure	TENV	
Mounting	Round Body/C-Flange	
Approximate Weight (lbs.)	42.1 lbs.	
Casing Material / Fan Cover	Stainless Steel	Stainless Steel
Shaft Material	304 SS	
NEMA Design	B	
Degree of Protection (IP)	69K	
Insulation Class / Temp Rise (60Hz)	F	B
Tropicalization	YES	
Duty	Cont. / S1	
Conduit Box Location	F1	
Feet Removable / Double Drilled	NO	NO
Paintwork	unpainted	
	unpainted	
MECHANICAL DATA		
Bearing DE Side	6205 ZZ	
Bearing ODE Side	6204 ZZ	
Grease Type	Food grade Mobilgrease™ FM 222	
Compensation Ring (wavy washer)	NDE	
Moment of Inertia (lb-ft <sup>2</sup> )	-	
Sound Pressure @ 3 FT dBA	-	
SITE CONDITIONS		
Ambient Temperature (°C)	40	
Meters Above Sea Level (MASL)	1000	
HAZARDOUS LOCATIONS		
CSA Certified	A, B, C & D	
Temperature Code	-	-

**Questions? Call 1.888.286.1820**

**NEMA**

**Model SSBN.754F-C-RND**  
**MFG PN: TSSN56C3/4U4B**



NAMEPLATE DATA	60Hz	50Hz
Horse Power	0.75	-
RPM	1760	-
Voltage	575	-
Full Load Amps	0.97	-
Service Factor	1.25	-
KVA Code	N	-
Full Load Amps (208V)	-	-
Nominal Efficiency	85.5	-
Nominal Power Factor	0.68	-
Design	B	
Frame	56C	
Enclosure Type	TENV	
IP Rating	69K	
Duty	Cont. / S1	
Insulation Class	F	
Ambient Rating	40	
Drive End Bearing	6205 ZZ	
Opposite Drive End Bearing	6204 ZZ	
Weight (lbs)	42.1	

**NAMEPLATE LAYOUT**

VFD DUTY (S.F. 1.0)	RATIO	Hz*
Variable Torque	30:1	2 - 60
Constant Torque	15:1	4 - 60

\*For max speed please contact Techtop Canada

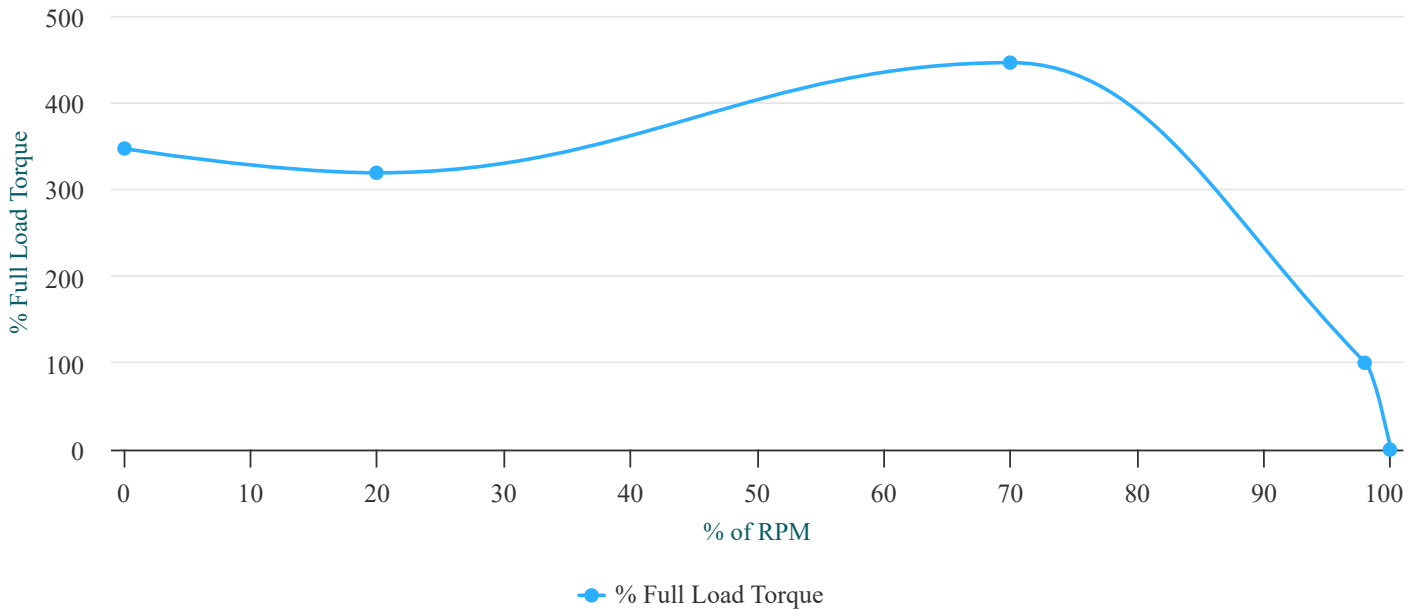
HAZARDOUS LOCATIONS	CSA COMPLIANT
Class / Division	Class 1, Div. 2
Groups	A, B, C & D

**Questions? Call 1.888.286.1820**

**NEMA**

**Model SSBN.754F-C-RND**  
 MFG PN: TSSN56C3/4U4B

**Torque Speed (T-n) Curve**



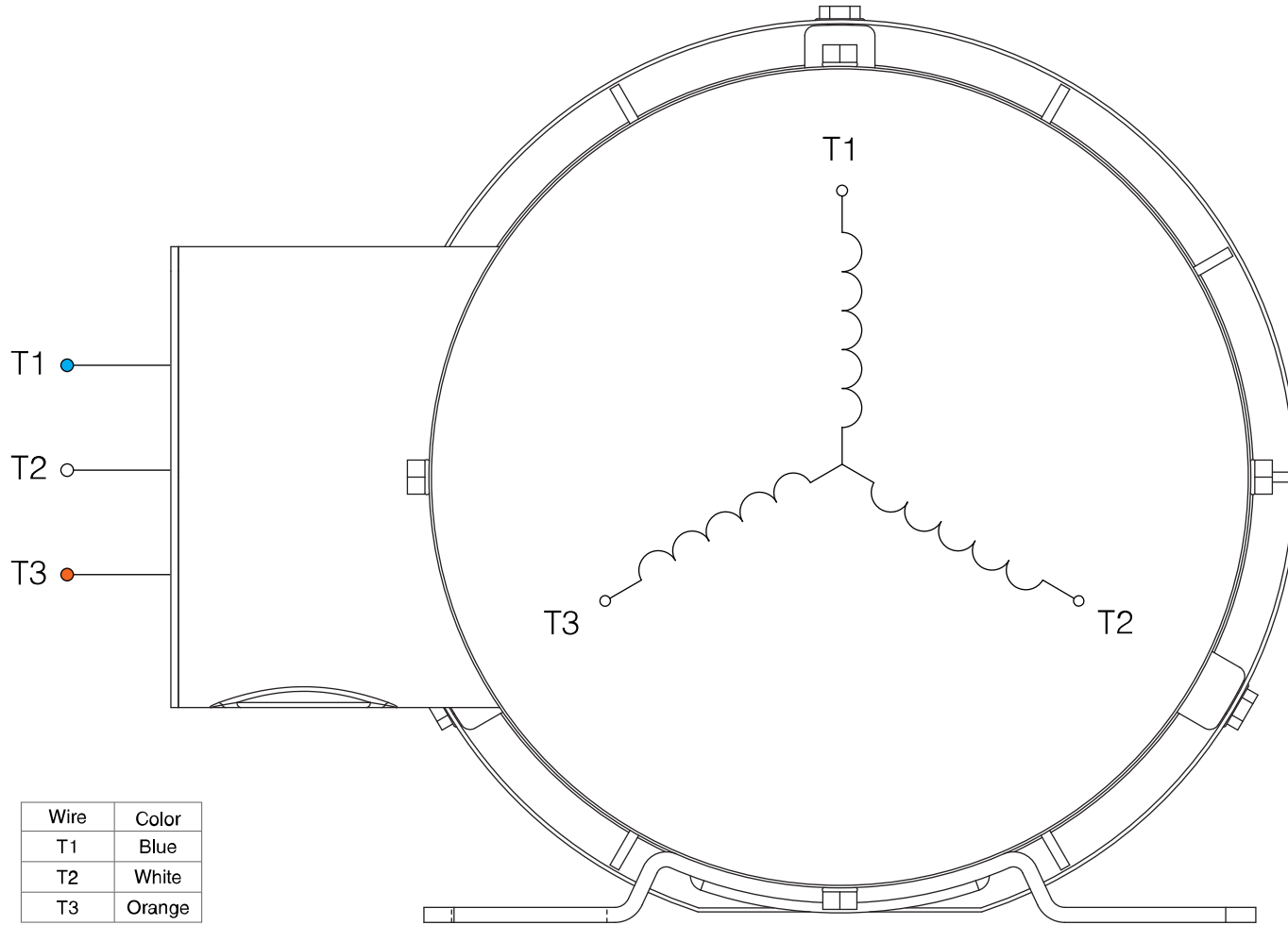
**PERFORMANCE LOAD VALUES, HIGH VOLTAGE, 60Hz**

**TYPICAL PERFORMANCE - NOT GUARANTEED VALUES**

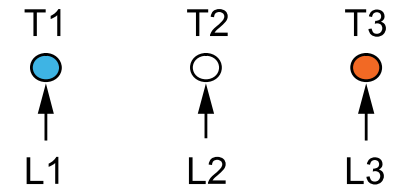
TORQUE VALUES	TORQUE (lb-ft)	TORQUE (% FULL LOAD)	PERFORMANCE VALUES	
Locked Rotor Torque	7.8	347	Start Configuration	DOL
Pull-Up Torque	7.1	319	Starting Current (A)	8.05
Breakdown Torque	10	446	No-Load Current (A)	0.7
Full Load Torque	2.2	100	No-Load Power Factor	0.08

% OF RATED LOAD	25	50	75	100	125	S.F. 1.25
Line Amperes (A)	0.7	0.7	0.8	0.9	1.1	1.1
Efficiency (%)	71.2	81.8	85.3	86.5	86.7	86.7
Speed (r/min)	1791	1783	1775	1766	1756	1756
Power Factor (cosΦ)	0.29	0.46	0.6	0.69	0.75	0.75
Input Power (kW)	0.2	0.34	0.49	0.65	0.81	0.81

**Questions? Call 1.888.286.1820**



Wire	Color
T1	Blue
T2	White
T3	Orange



**SINGLE VOLTAGE**

**NOTES:**

1. CCW ROTATION FACING ODE FOR CONNECTIONS SHOWN
2. TO REVERSE ROTATION, SWAP ANY TWO INPUT LINES
3. WHEN MOTOR IS IN F1 POSITION, LEADS INDICATED WITH "\*" EXIT THE CASING ABOVE THE CENTER LINE OF THE MOTOR, THE REMAINING LEADS EXIT BELOW THE CENTER LINE
4. LEADS MUST BE NUMBERED AND COLORED AS SHOWN
5. DIAGRAMS FOR REFERENCE ONLY



**NEMA 3Ø Y 3-Lead Single Voltage**

**DRAWING NUMBER:**

NEMA-3-3-Y-SS

**CONNECTION:**

Y

**NUMBER OF LEADS:**

3

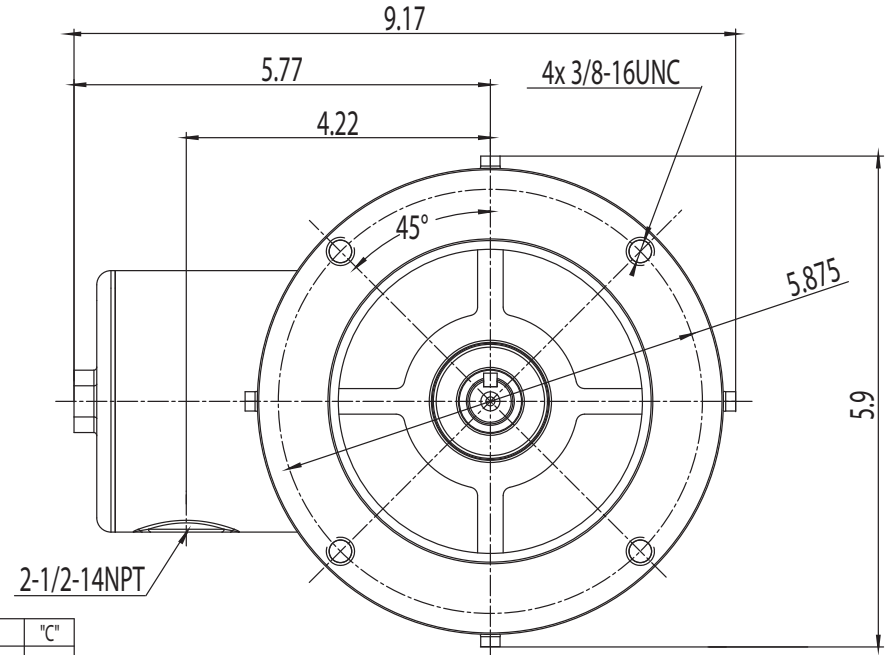
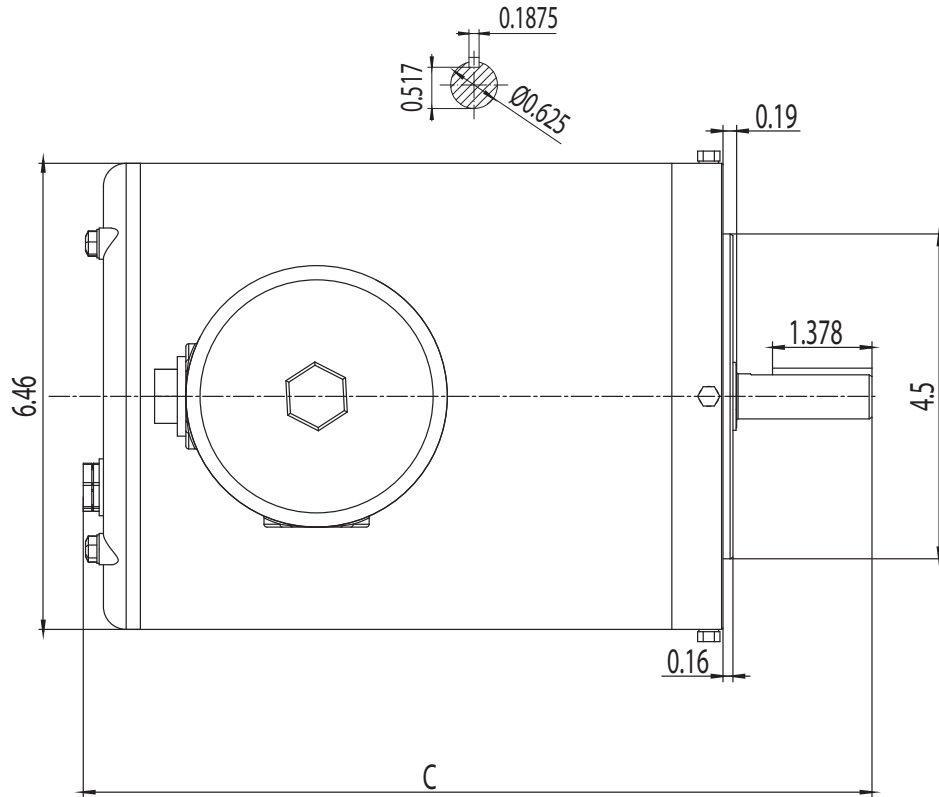
**THERMAL PROTECTION:**

-

**ISSUED DATE**

24/02/25

STAINLESS STEEL IP69K MOTORS



HP	"C"
0.5 2P	10.4
0.33 4P	10.4
0.5 4P	11
0.75 2P	11
0.75 4P	11.6



**NEMA Premium TENV 56C**

**DRAWING NUMBER:**

SS3-NV-56C-RND

**DIMENSIONS:**

Inches

**MOUNTING:**

Round Body/C-Flange

**CASING MATERIAL:**

Stainless Steel

**ISSUED DATE**

24/02/25

STAINLESS STEEL IP69K MOTORS