

**NEMA**

**Model SSG0024D-TC**  
 MFG PN: TSSF140TC2U4B

# Model SSG0024D-TC

## Product Data Package



MODEL	HP	RPM	VOLTAGE	PHASE	Hz	FRAME	MOUNT	ENCLOSURE
SSG0024D-TC	2	1750	230/460	3	60	140TC	Rigid/C-Flange	TEFC

### Toronto

**TOLL FREE** 1.888.286.1820  
**PHONE** 905.829.1001  
**EMAIL** info@techttopcanada.com

### Montreal

**TOLL FREE** 1.844.354.5111  
**PHONE** 514.354.1002  
**EMAIL** infoQC@techttopcanada.com

### Moncton

**PHONE** 506.386.5794  
**EMAIL** infoNB@techttopcanada.com

### Winnipeg

**PHONE** 204.633.2779  
**EMAIL** infoMB@techttopcanada.com

### Vancouver

**PHONE** 604.525.1551  
**EMAIL** infoBC@techttopcanada.com



### Index

Motor General Data Sheet	P 2
Nameplate Information	P 3
Technical Performance Data	P 4
Motor General Wiring Diagram	P 5
Motor General Outline Drawing	P 6



**Model SSG0024D-TC**  
**MFG PN: TSSF140TC2U4B**

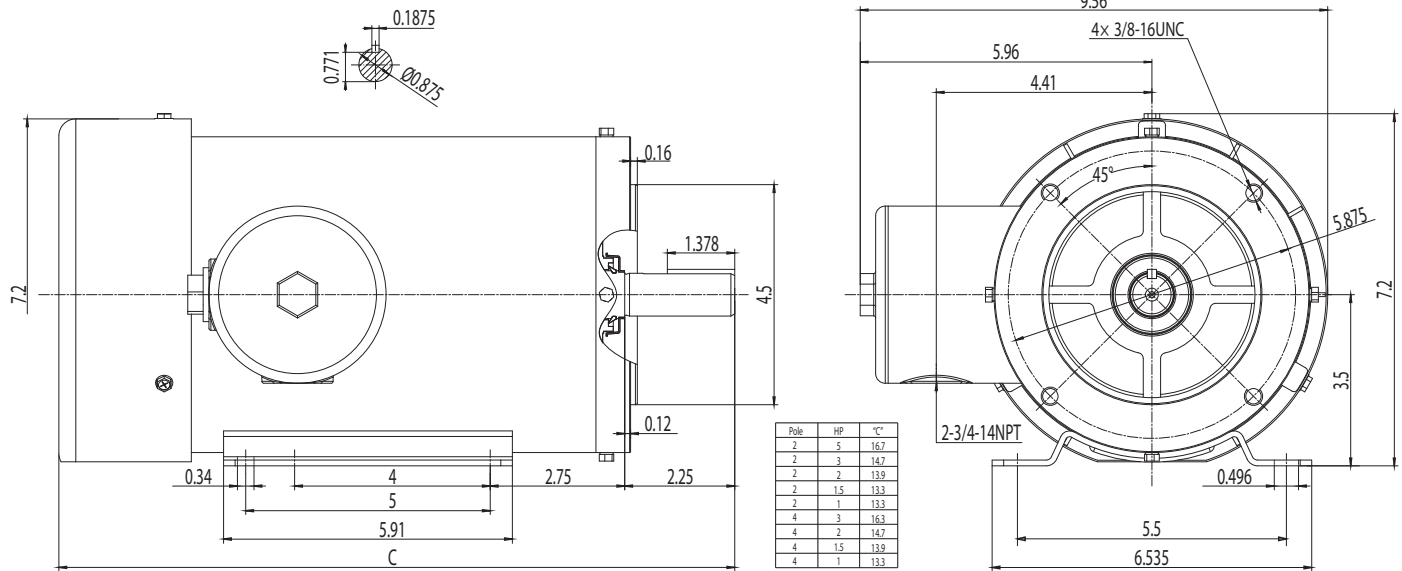
ELECTRICAL DATA		
Rated Motor Output Power	2	HP
	1.5	kW
Rated Motor Speed	1750	r/min 60Hz
	1430	r/min 50Hz
Rated Motor Voltage (+/-10%)	230/460	V/60Hz
	190/380	V/50Hz
Rated Motor Current	5.77/2.89	A (I <sub>n</sub> ) @ 60Hz
	6.79/3.39	A (I <sub>n</sub> ) @ 50Hz
Phase	3	∅
Locked Rotor Current @ High Voltage	22.55	A (I <sub>n</sub> ) @ 60Hz
FI Current @ 208V	6.38	A (I <sub>n</sub> ) @ 60Hz
Service Factor	1.25	@ 60Hz
	1	@ 50Hz
KVA Code	K	60Hz
	H	50Hz
Nominal Efficiency	86.5	% @ 60Hz
Nominal Power Factor	0.75	cosΦ @ 60Hz
Leads (Qty, Size)	9	18
Connection	YY/Y	-
Coil Resistance	-	Ω
Start Capacitor	-	μF/V
Run Capacitor	-	μF/V
VFD DUTY (S.F. 1.0)		
	RATIO	Hz
Variable Torque	30:1	2 - 60
Constant Torque	15:1	4 - 60
FULL LOAD TEMPERATURE RISE		
Full Load Temperature Rise	56.3	°C @ 60Hz
	-	°C @ 50Hz

GENERAL DATA		
Frame Size	140TC	
Enclosure	TEFC	
Mounting	Rigid/C-Flange	
Approximate Weight (lbs.)	54.9 lbs.	
Casing Material / Fan Cover	Stainless Steel	Stainless Steel
Shaft Material	304 SS	
NEMA Design	B	
Degree of Protection (IP)	69K	
Insulation Class / Temp Rise (60Hz)	F	B
Tropicalization	YES	
Duty	Cont. / S1	
Conduit Box Location	F1	
Feet Removable / Double Drilled	NO	YES
Paintwork	unpainted	
	unpainted	
MECHANICAL DATA		
Bearing DE Side	6205 ZZ	
Bearing ODE Side	6204 ZZ	
Grease Type	Food grade Mobilgrease™ FM 222	
Compensation Ring (wavy washer)	NDE	
Moment of Inertia (lb-ft <sup>2</sup> )	-	
Sound Pressure @ 3 FT dBA	-	
SITE CONDITIONS		
Ambient Temperature (°C)	40	
Meters Above Sea Level (MASL)	1000	
HAZARDOUS LOCATIONS		
CSA Certified	A, B, C & D	
Temperature Code	-	-

**Questions? Call 1.888.286.1820**

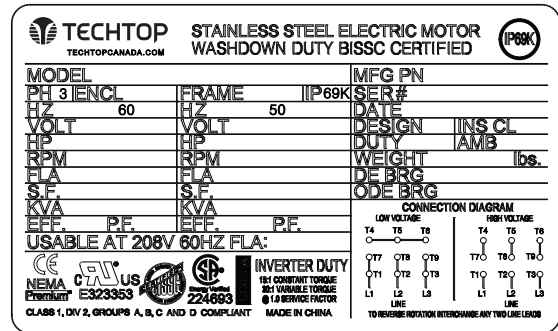
**NEMA**

**Model SSG0024D-TC**  
**MFG PN: TSSF140TC2U4B**



NAMEPLATE DATA	60Hz	50Hz
Horse Power	2	2
RPM	1750	1430
Voltage	230/460	190/380
Full Load Amps	5.77/2.89	6.79/3.39
Service Factor	1.25	1
KVA Code	K	H
Full Load Amps (208V)	6.38	-
Nominal Efficiency	86.5	83.5
Nominal Power Factor	0.75	0.8
Design	B	
Frame	140TC	
Enclosure Type	TEFC	
IP Rating	69K	
Duty	Cont. / S1	
Insulation Class	F	
Ambient Rating	40	
Drive End Bearing	6205 ZZ	
Opposite Drive End Bearing	6204 ZZ	
Weight (lbs)	54.9	

**NAMEPLATE LAYOUT**



VFD DUTY (S.F. 1.0)	RATIO	Hz*
Variable Torque	30:1	2 - 60
Constant Torque	15:1	4 - 60

\*For max speed please contact Techtop Canada

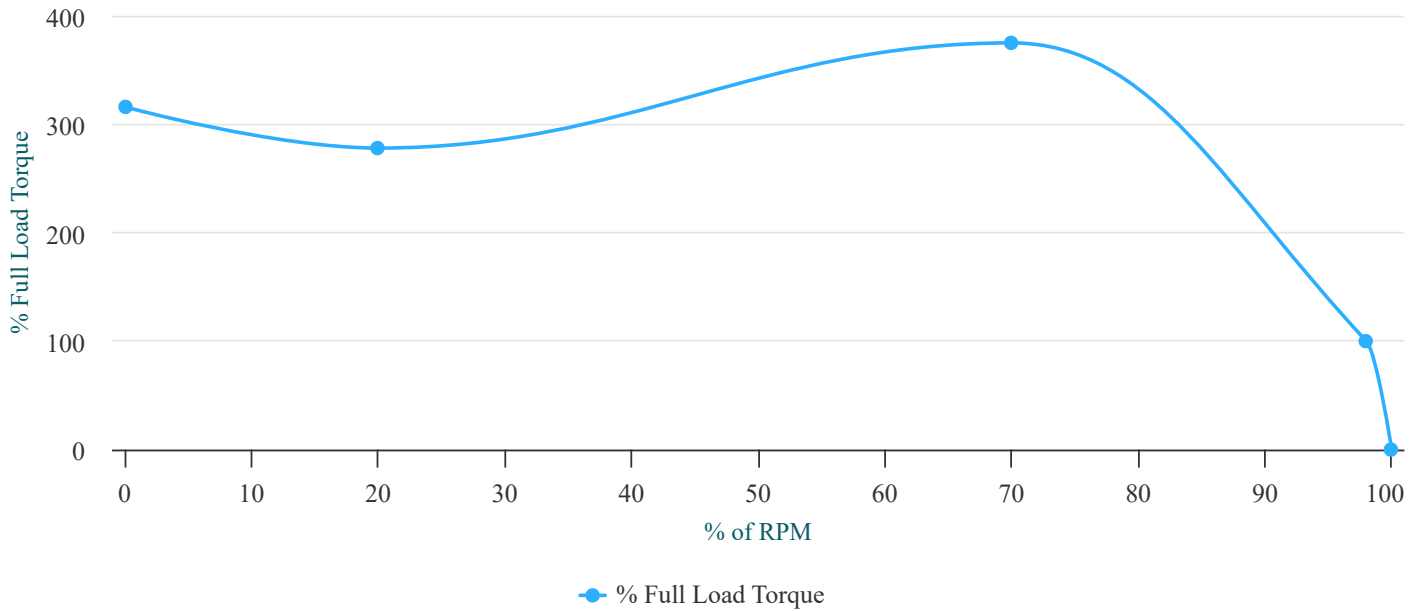
HAZARDOUS LOCATIONS	CSA COMPLIANT
Class / Division	Class I, Div. 2
Groups	A, B, C & D

**Questions? Call 1.888.286.1820**

**NEMA**

**Model SSG0024D-TC**  
**MFG PN: TSSF140TC2U4B**

**Torque Speed (T-n) Curve**



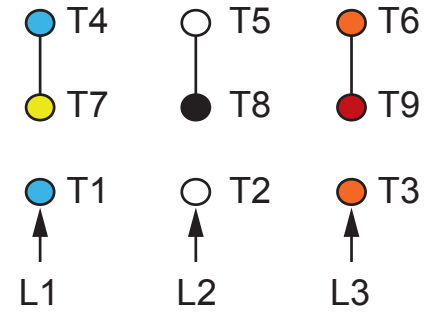
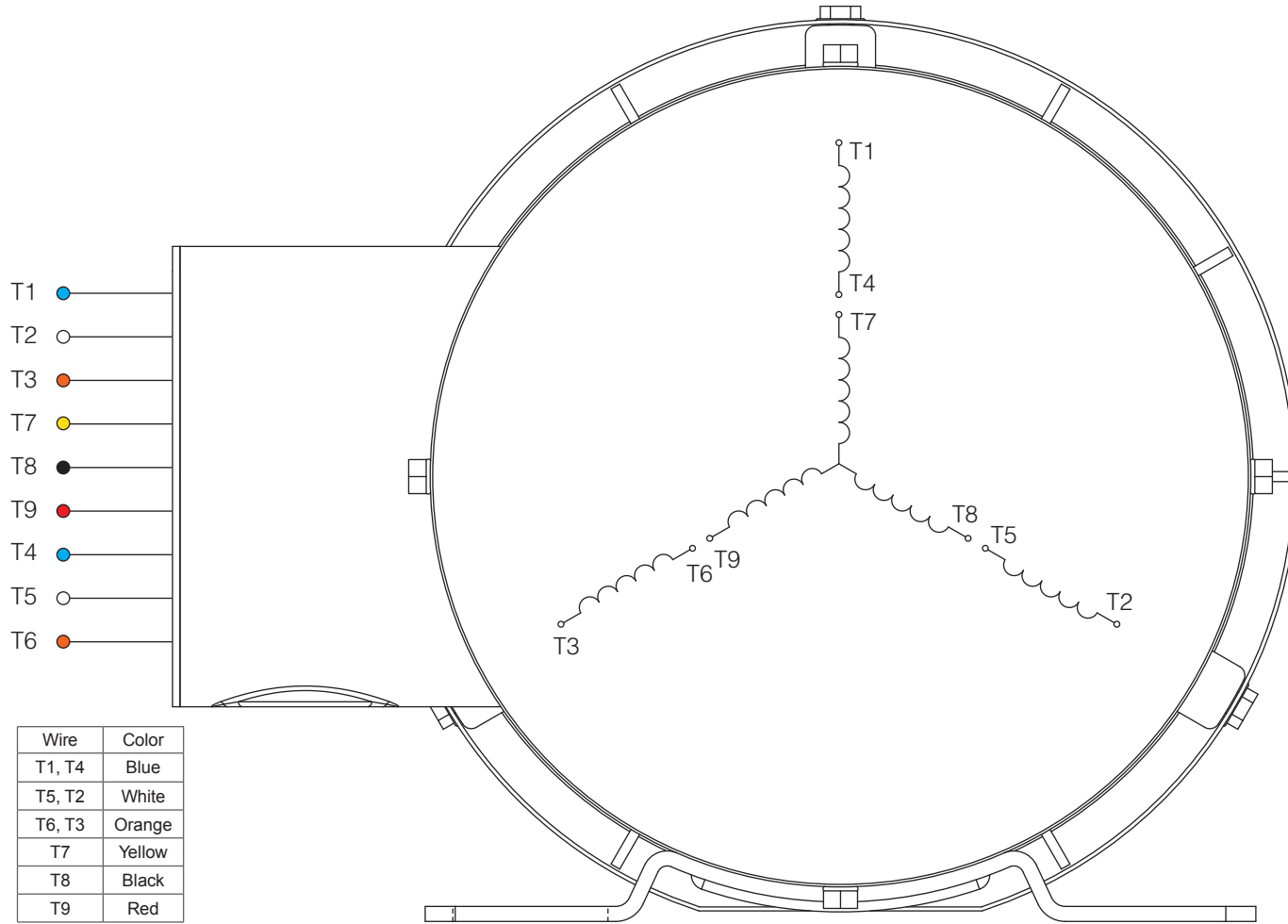
**PERFORMANCE LOAD VALUES, HIGH VOLTAGE, 60Hz**

**TYPICAL PERFORMANCE - NOT GUARANTEED VALUES**

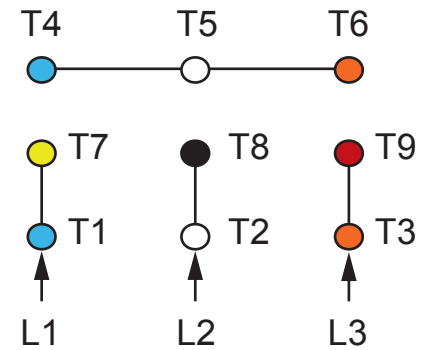
TORQUE VALUES	TORQUE (lb-ft)	TORQUE (% FULL LOAD)	PERFORMANCE VALUES	
Locked Rotor Torque	19	316	Start Configuration	DOL
Pull-Up Torque	16.7	278	Starting Current (A)	22.55
Breakdown Torque	22.5	375	No-Load Current (A)	1.8
Full Load Torque	6	100	No-Load Power Factor	0.08

% OF RATED LOAD	25	50	75	100	125	S.F. 1.25
Line Amperes (A)	1.8	2.1	2.4	2.8	3.4	3.4
Efficiency (%)	76.5	84.7	86.7	86.8	86	86
Speed (r/min)	1788	1776	1763	1749	1733	1733
Power Factor (cosΦ)	0.34	0.54	0.68	0.76	0.81	0.81
Input Power (kW)	0.49	0.89	1.3	1.73	2.18	2.18

**Questions? Call 1.888.286.1820**



HIGH VOLTAGE (Y)



LOW VOLTAGE (YY)

NOTES:

1. CCW ROTATION FACING ODE FOR CONNECTIONS SHOWN
2. TO REVERSE ROTATION, SWAP ANY TWO INPUT LINES
3. WHEN MOTOR IS IN F1 POSITION, LEADS INDICATED WITH "\*" EXIT THE CASING ABOVE THE CENTER LINE OF THE MOTOR, THE REMAINING LEADS EXIT BELOW THE CENTER LINE
4. LEADS MUST BE NUMBERED AND COLORED AS SHOWN
5. DIAGRAMS FOR REFERENCE ONLY



NEMA 3Ø YY/Y 9-Lead Dual Voltage

DRAWING NUMBER:

NEMA-3-9-YY-Y-SS

CONNECTION:

YY/Y

NUMBER OF LEADS:

9

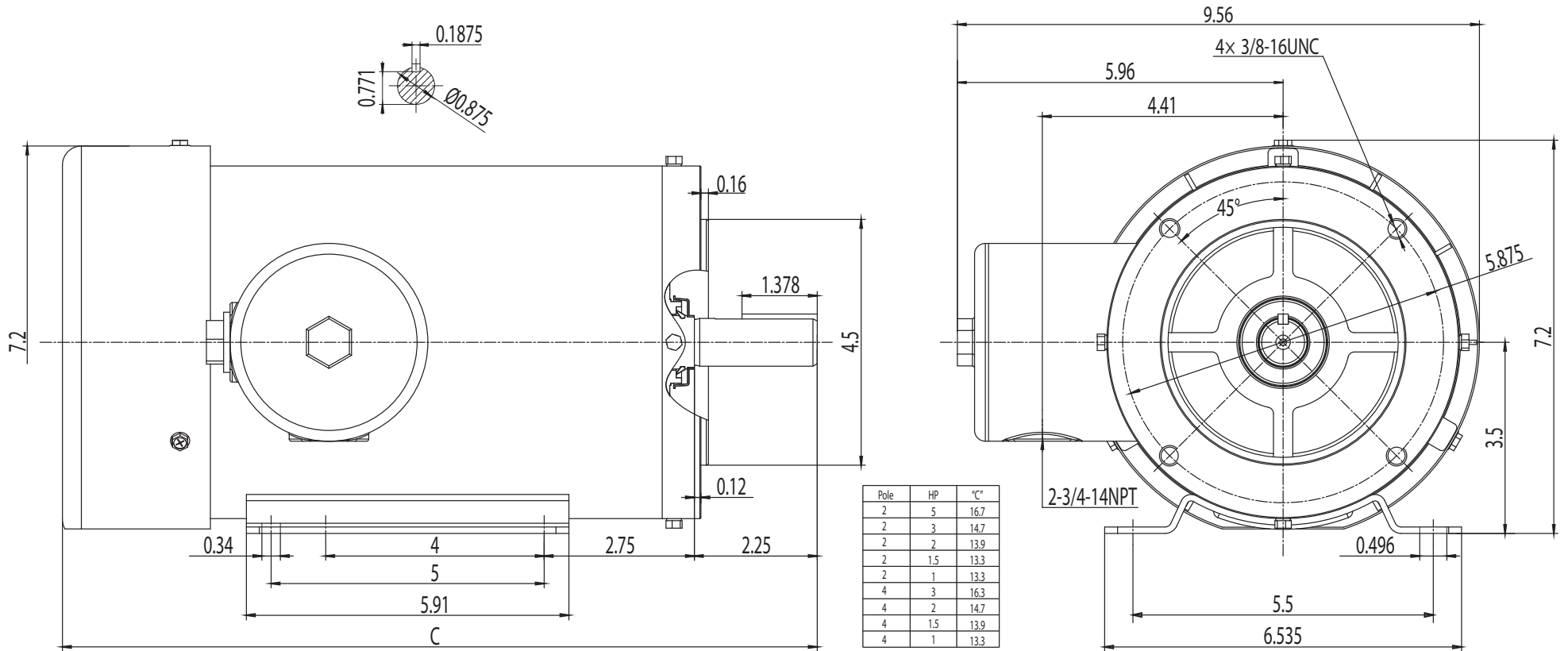
THERMAL PROTECTION:

-

ISSUED DATE

24/02/25

STAINLESS STEEL IP69K MOTORS



**NEMA Premium TEFC 140TC**

**DRAWING NUMBER:**

SS3-TF-140TC

**ISSUED DATE**

24/02/25

**DIMENSIONS:**

Inches

**MOUNTING:**

Rigid/C-Flange

**CASING MATERIAL:**

Stainless Steel

STAINLESS STEEL IP69K MOTORS